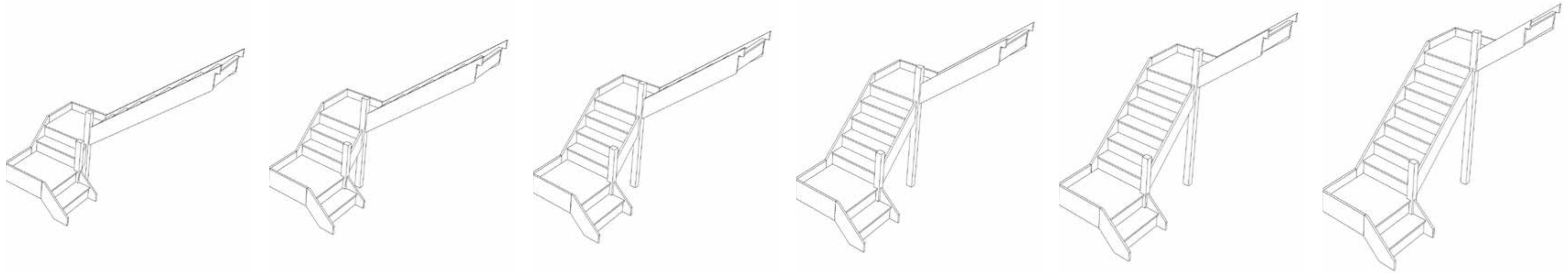


# STAIRPLAN

## Right Hand Double Quarter Landing Staircases - Plan Layouts - No Handrails



Stair-S1QL1QL8N-RH



Stair-S1QL2QL7N-RH



Stair-S1QL3QL6N-RH



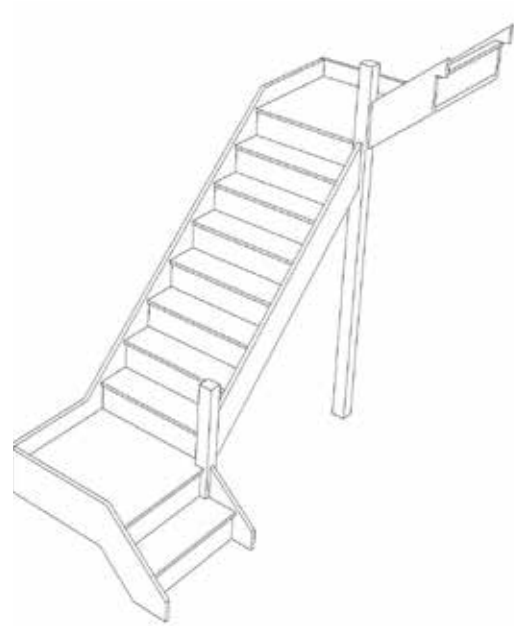
Stair-S1QL4QL5N-RH



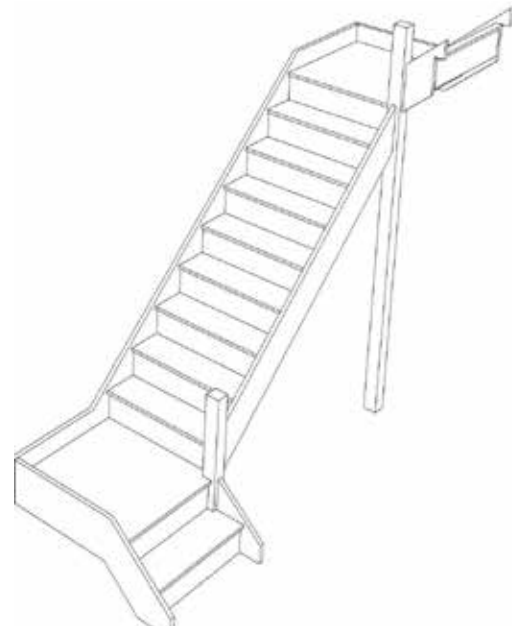
Stair-S1QL5QL4N-RH



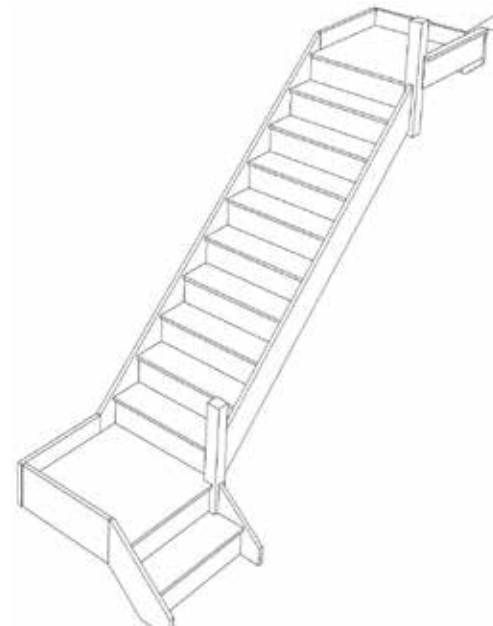
Stair-S1QL6QL3N-RH



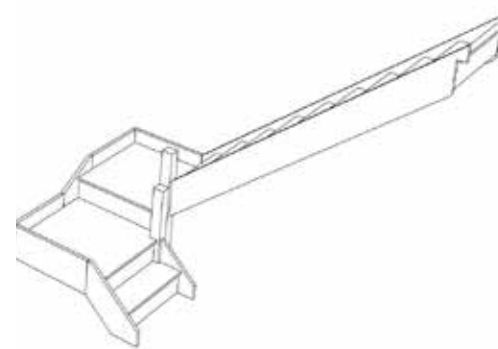
Stair-S1QL7QL2N-RH



Stair-S1QL8QL1N-RH



Stair-S1QL9QLN-RH



Stair-S1QLQL9N-RH



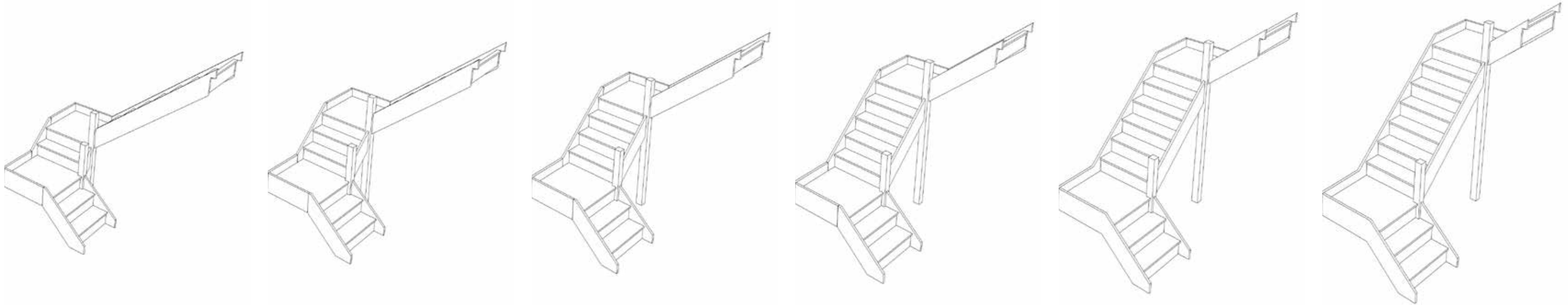
For a fully made to measure double Quarter Landing staircase with layouts like these contact us with the Plan reference number for a quotation.

We need to know which material specification you would like quoting in from our [model range](#) also.

sales@stairplan.com  
01952 608853

# STAIRPLAN

## Right Hand Double Quarter Landing Staircases - Plan Layouts - No Handrails



Stair-S2QL1QL7N-RH



Stair-S2QL2QL6N-RH



Stair-S2QL3QL5N-RH



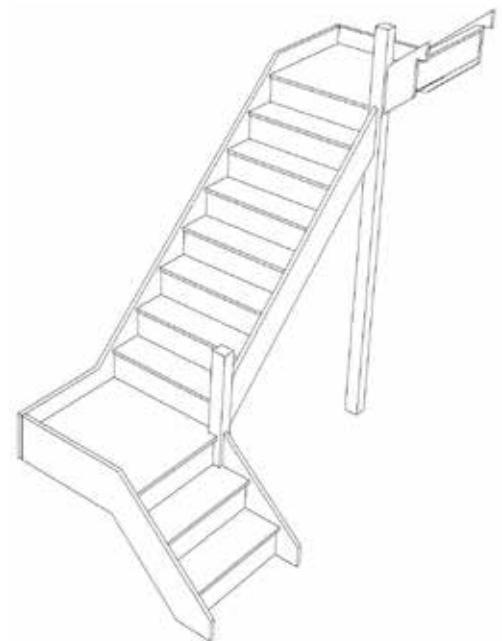
Stair-S2QL4QL4N-RH



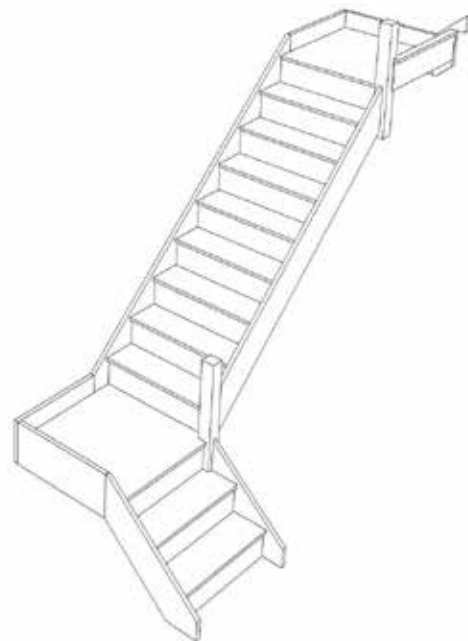
Stair-S2QL5QL3N-RH



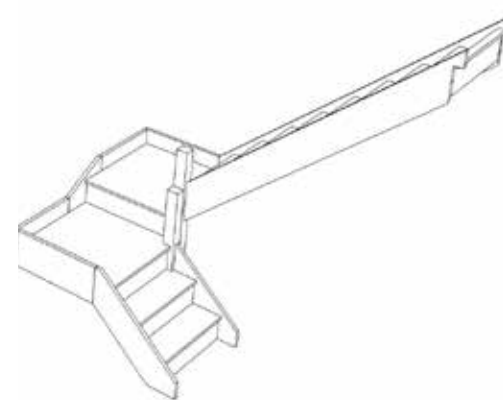
Stair-S2QL6QL2N-RH



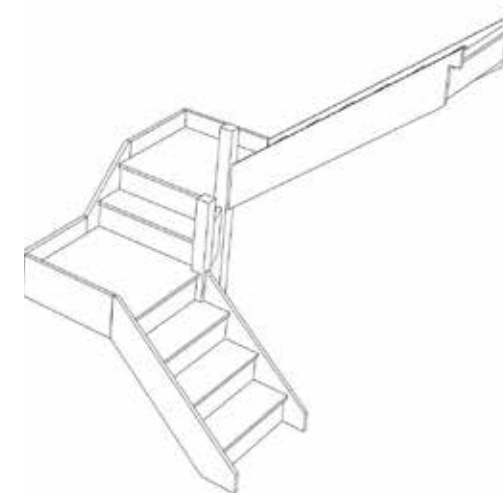
Stair-S2QL7QL1N-RH



Stair-S2QL8QLN-RH



Stair-S2QLQL8N-RH



Stair-S3QL1QL6N-RH



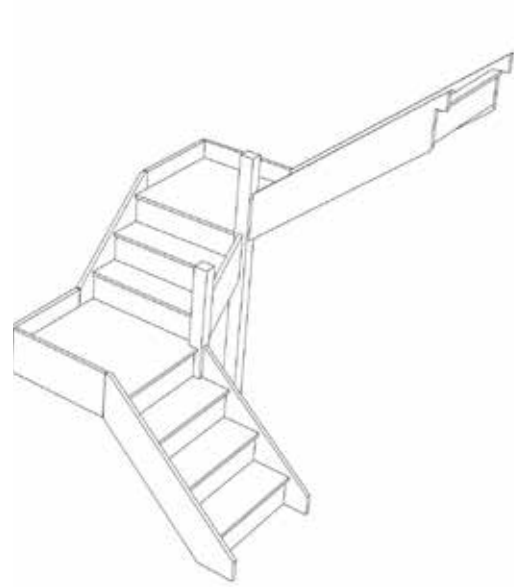
For a fully made to measure double Quarter Landing staircase with layouts like these contact us with the Plan reference number for a quotation.

We need to know which material specification you would like quoting in from our [model range](#) also.

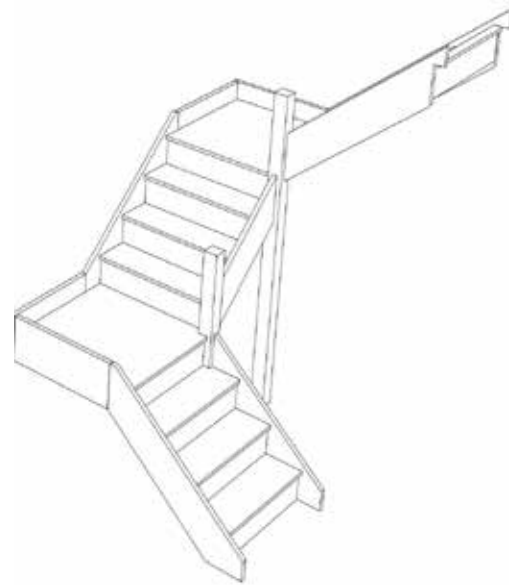
sales@stairplan.com  
01952 608853

# STAIRPLAN

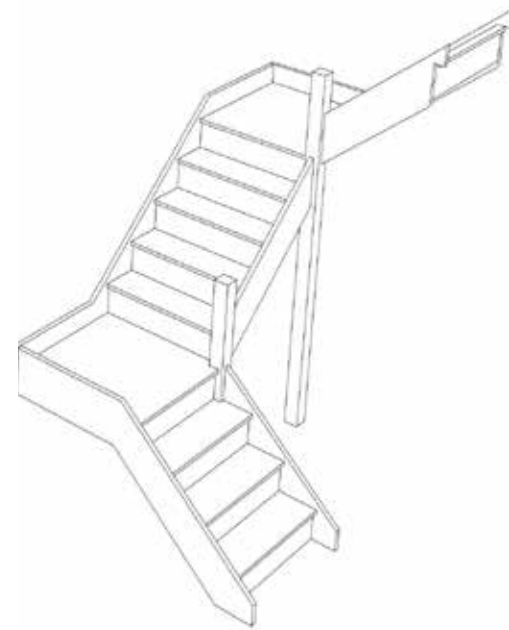
## Right Hand Double Quarter Landing Staircases - Plan Layouts - No Handrails



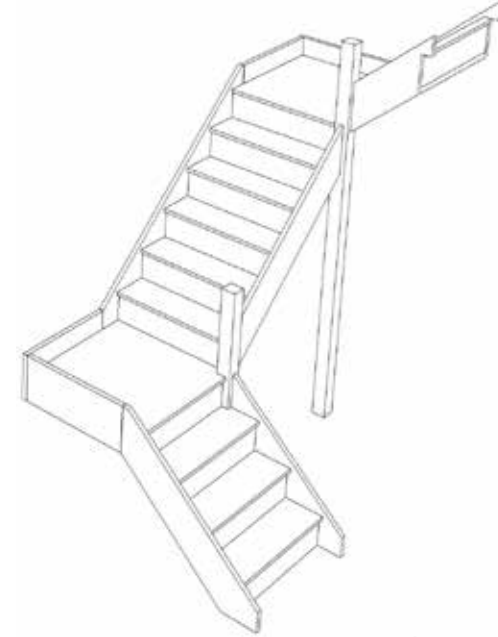
Stair-S3QL2QL5N-RH



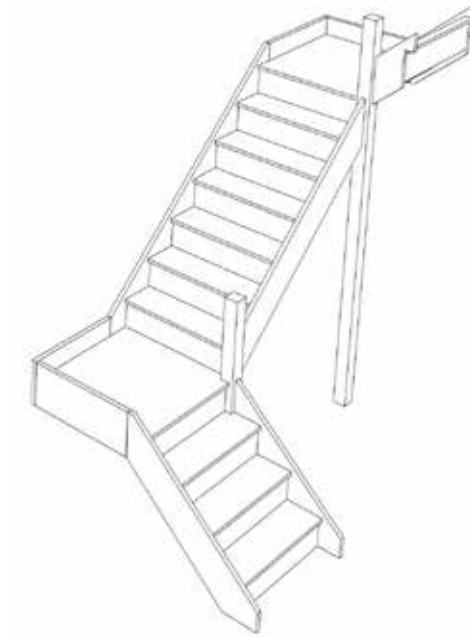
Stair-S3QL3QL4N-RH



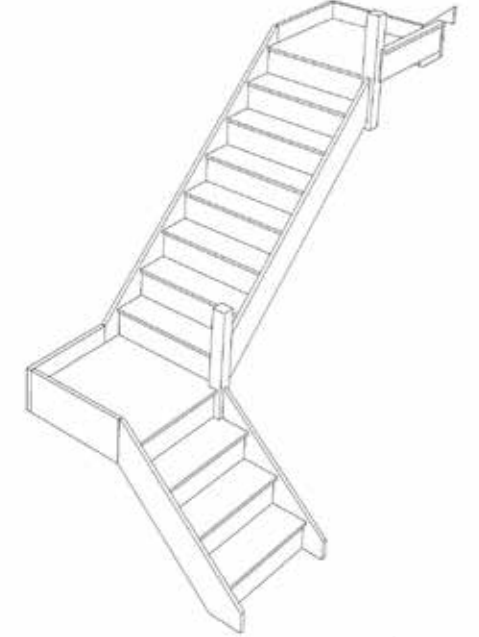
Stair-S3QL4QL3N-RH



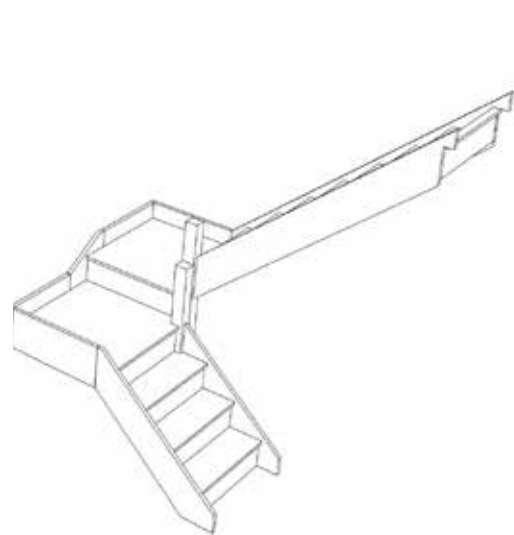
Stair-S3QL5QL2N-RH



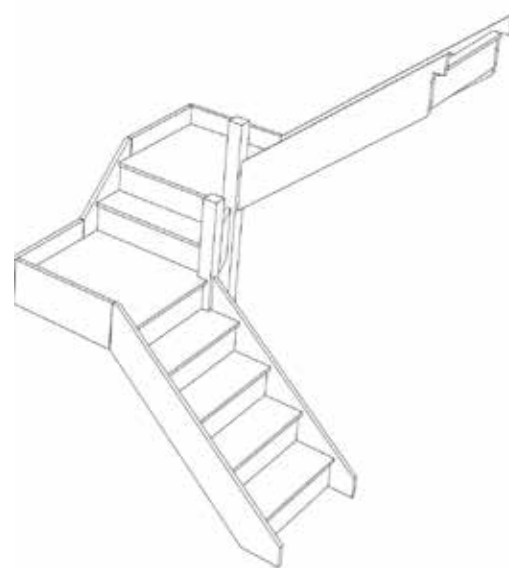
Stair-S3QL6QL1N-RH



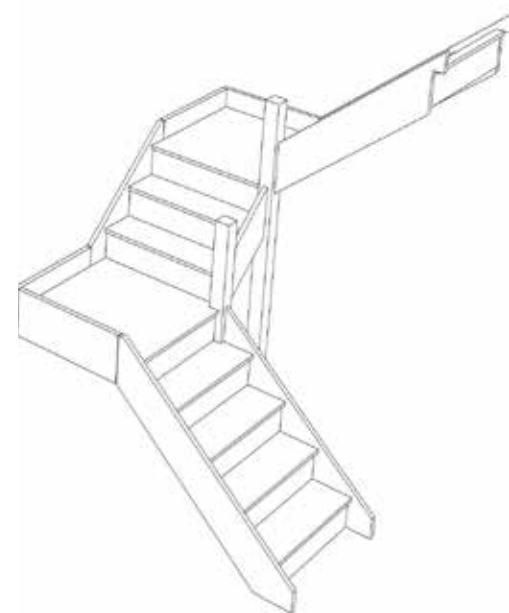
Stair-S3QL7QLN-RH



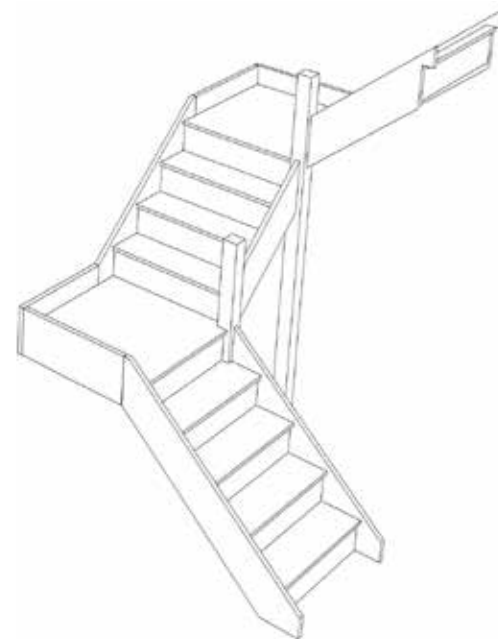
Stair-S3QLQL7N-RH



Stair-S4QL1QL5N-RH



Stair-S4QL2QL4N-RH



Stair-S4QL3QL3N-RH



For a fully made to measure double Quarter Landing staircase with layouts like these contact us with the Plan reference number for a quotation.

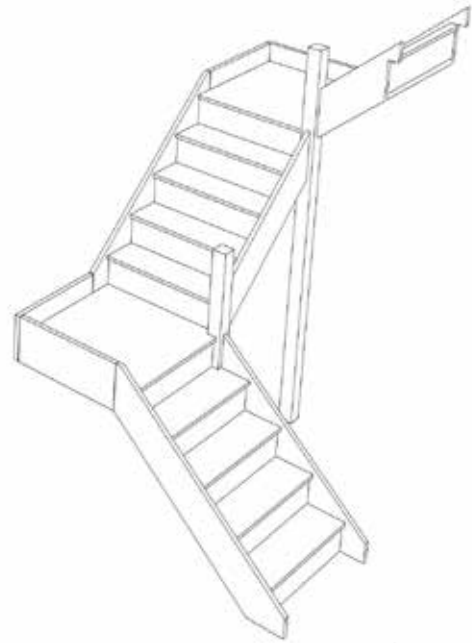
We need to know which material specification you would like quoting in from our [model range](#) also.

sales@stairplan.com  
01952 608853

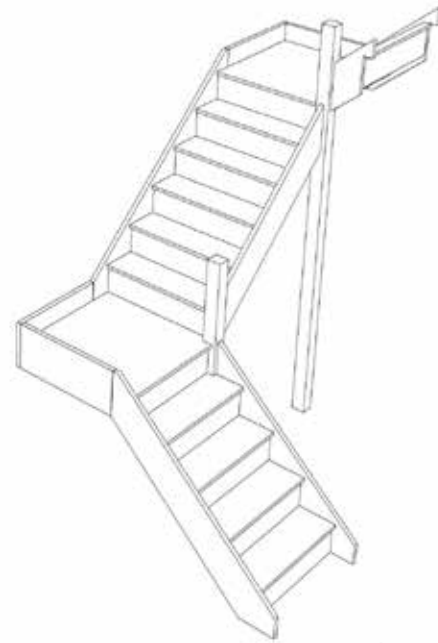


# STAIRPLAN

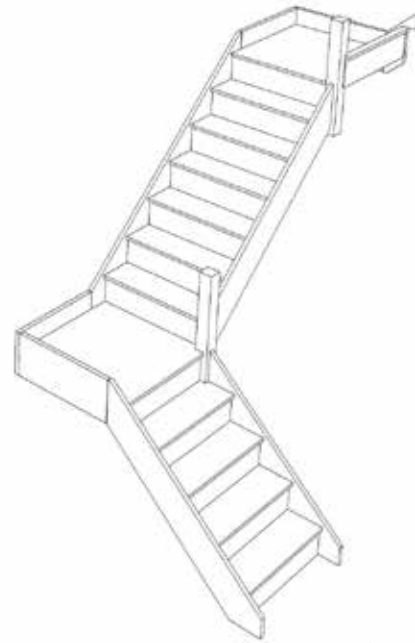
## Right Hand Double Quarter Landing Staircases - Plan Layouts - No Handrails



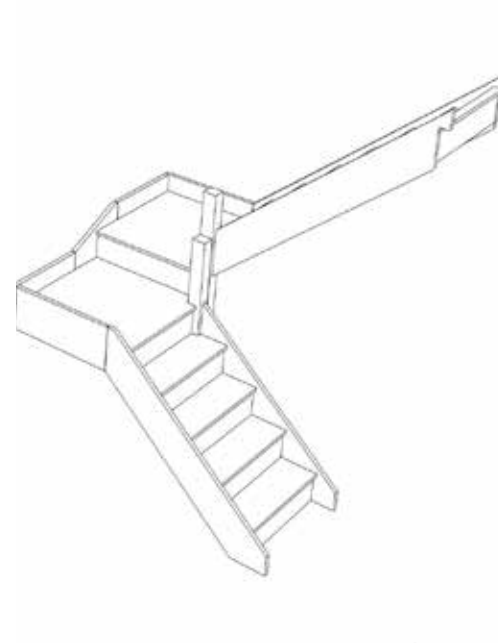
Stair-S4QL4QL2N-RH



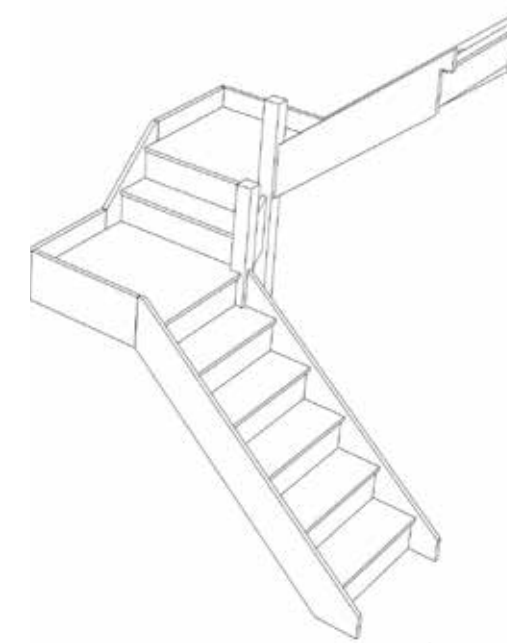
Stair-S4QL5QL1N-RH



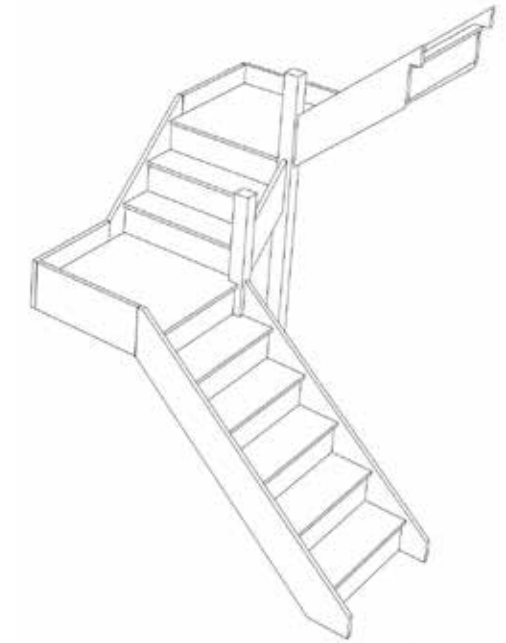
Stair-S4QL6QLN-RH



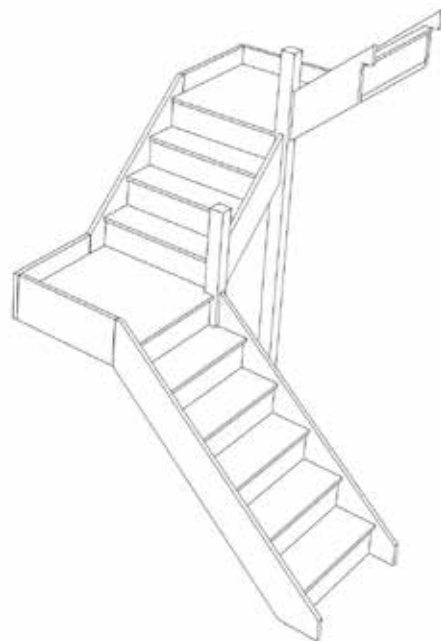
Stair-S4QLQL6N-RH



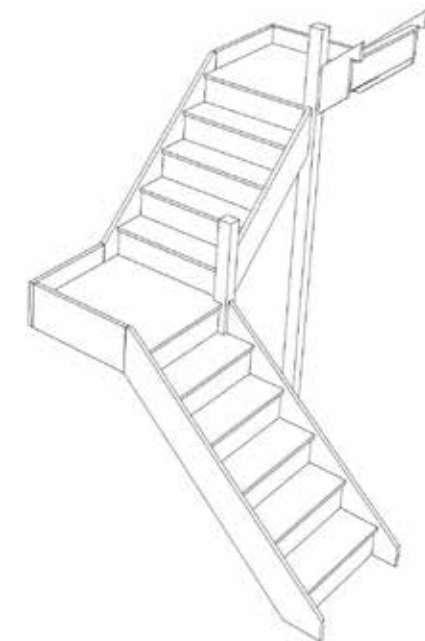
Stair-S5QL1QL4N-RH



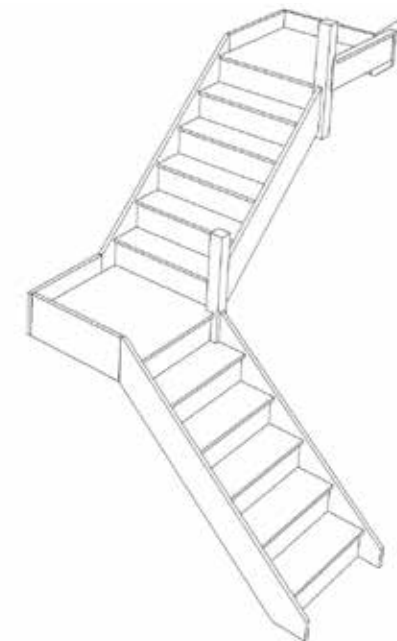
Stair-S5QL2QL3N-RH



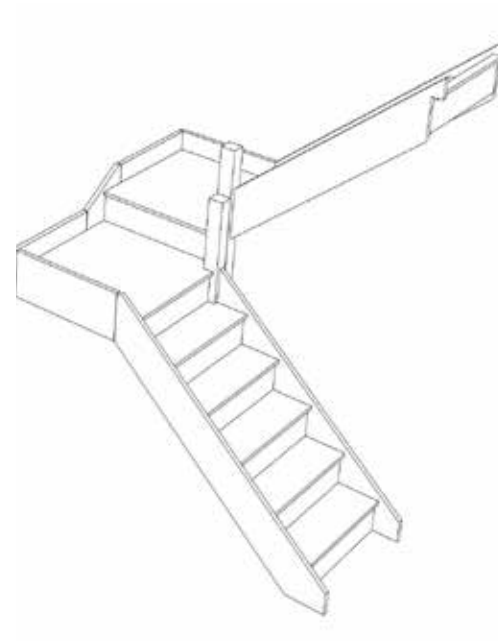
Stair-S5QL3QL2N-RH



Stair-S5QL4QL1N-RH



Stair-S5QL5QLN-RH



Stair-S5QLQL5N-RH



For a fully made to measure double Quarter Landing staircase with layouts like these contact us with the Plan reference number for a quotation.

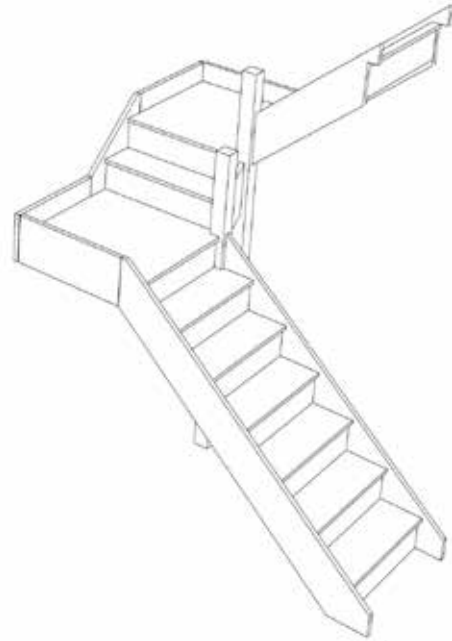
We need to know which material specification you would like quoting in from our [model range](#) also.

sales@stairplan.com  
01952 608853

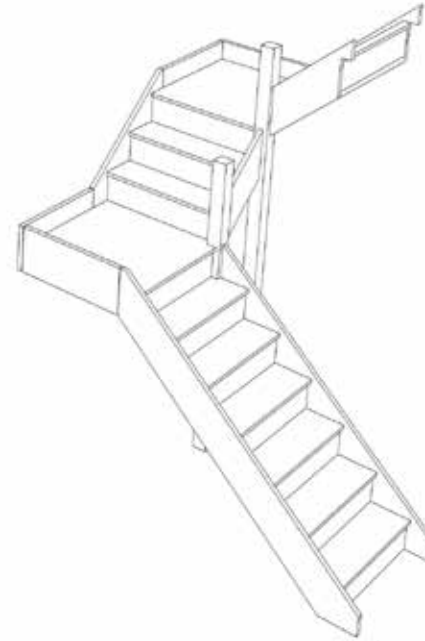


# STAIRPLAN

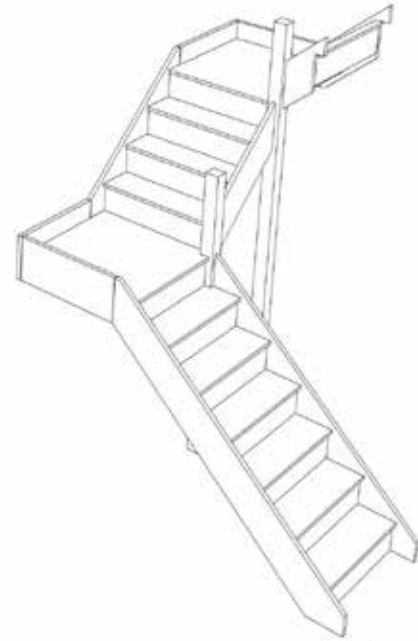
## Right Hand Double Quarter Landing Staircases - Plan Layouts - No Handrails



Stair:S6QL1QL3N-RH



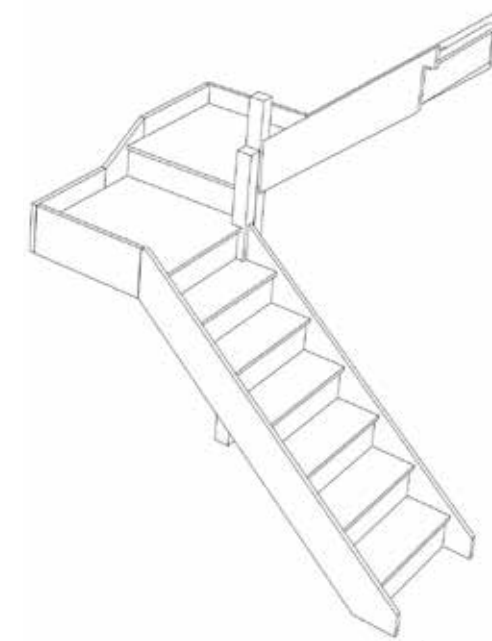
Stair:S6QL2QL2N-RH



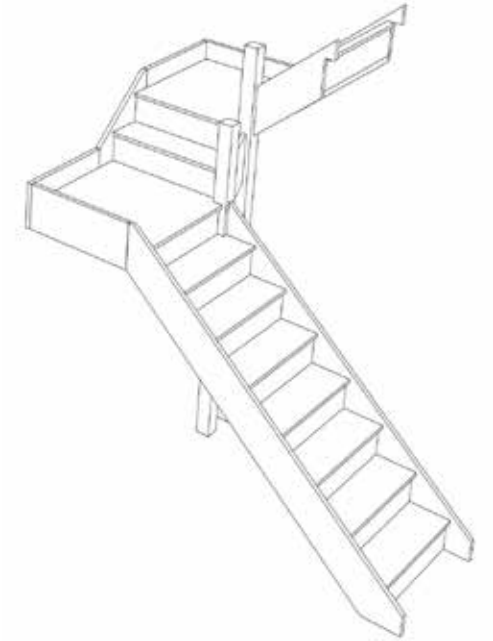
Stair:S6QL3QL1N-RH



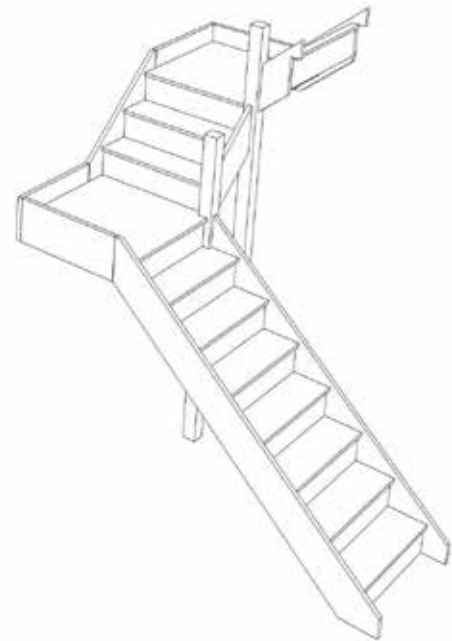
Stair:S6QL4QLN-RH



Stair:S6QLQL4N-RH



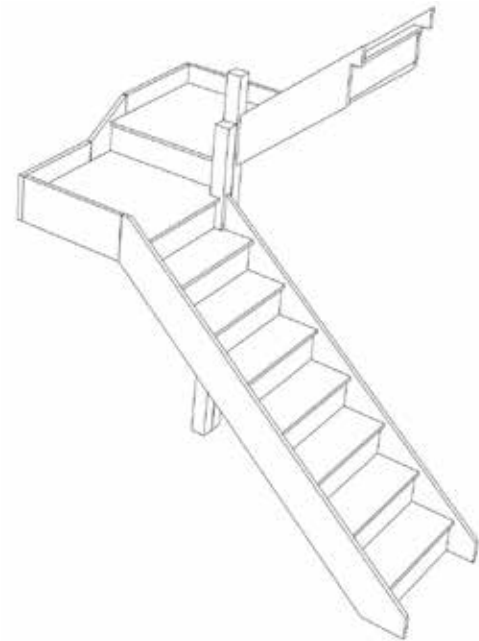
Stair:S7QL1QL2N-RH



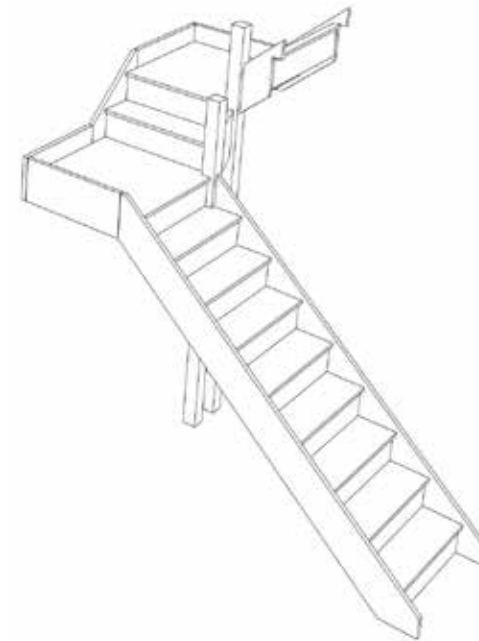
Stair:S7QL2QL1N-RH



Stair:S7QL3QLN-RH



Stair:S7QLQL3N-RH



Stair:S8QL1QL1N-RH



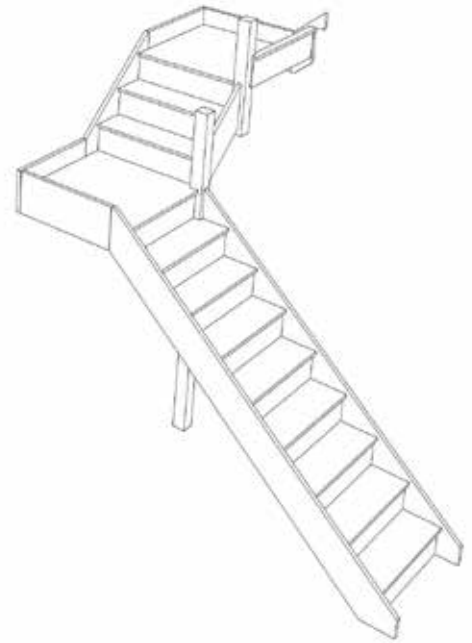
For a fully made to measure double Quarter Landing staircase with layouts like these contact us with the Plan reference number for a quotation.

We need to know which material specification you would like quoting in from our [model range](#) also.

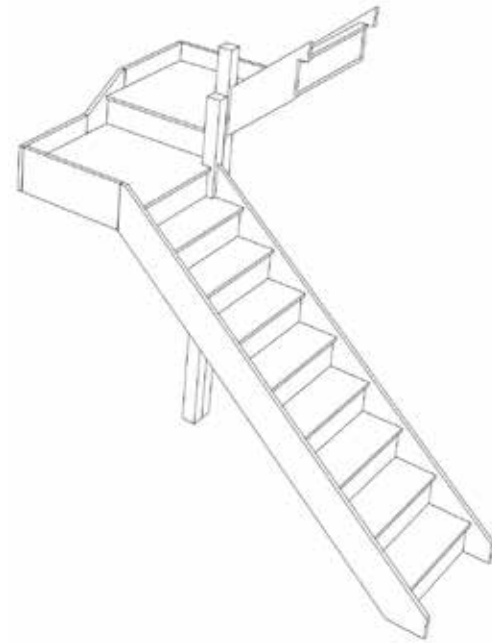
sales@stairplan.com  
01952 608853

# STAIRPLAN

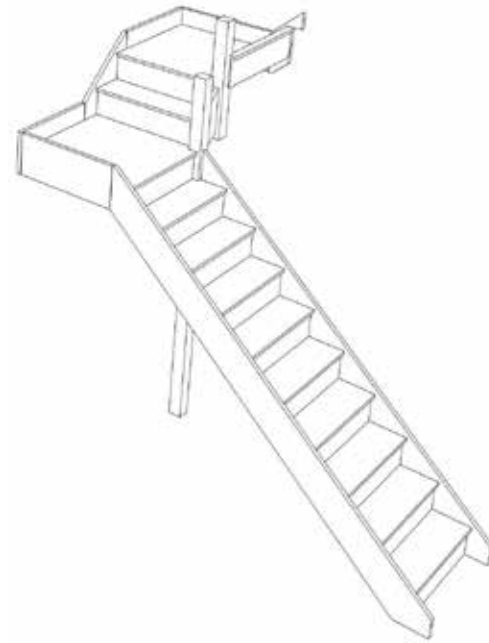
## Right Hand Double Quarter Landing Staircases - Plan Layouts - No Handrails



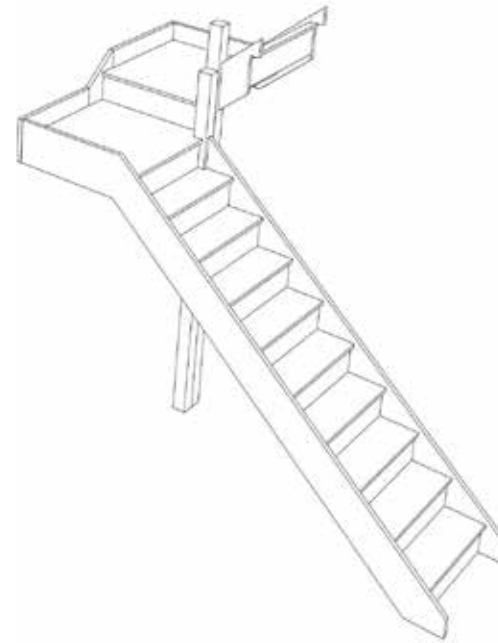
Stair:S8QL2QLN-RH



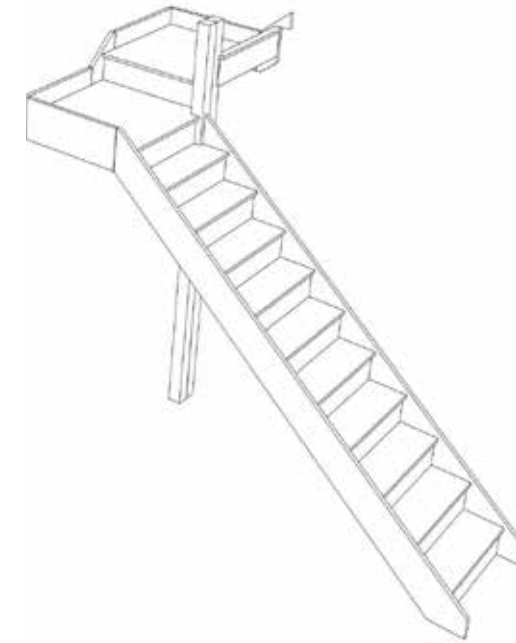
Stair:S8QL2QL2N-RH



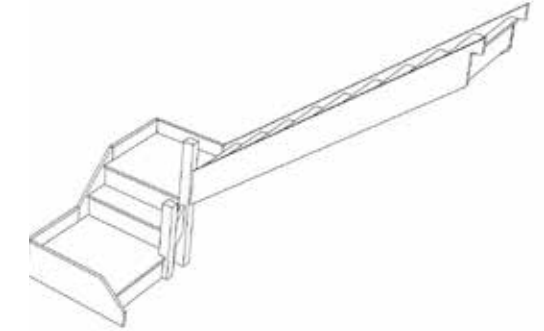
Stair:S9QL1QLN-RH



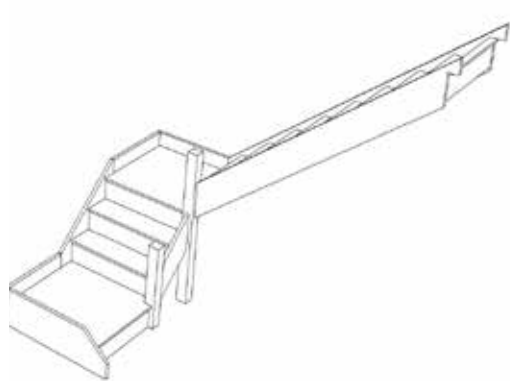
Stair:S9QL1QL1N-RH



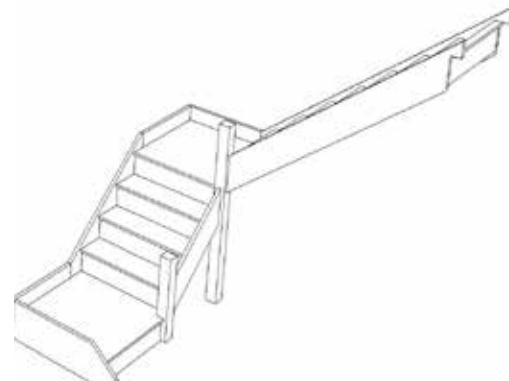
Stair:S10QLQLN-RH



Stair:SQL1QL9N-RH



Stair:SQL2QL8N-RH



Stair:SQL3QL7N-RH



Stair:SQL4QL6N-RH



Stair:SQL5QL5N-RH



For a fully made to measure double Quarter Landing staircase with layouts like these contact us with the Plan reference number for a quotation.

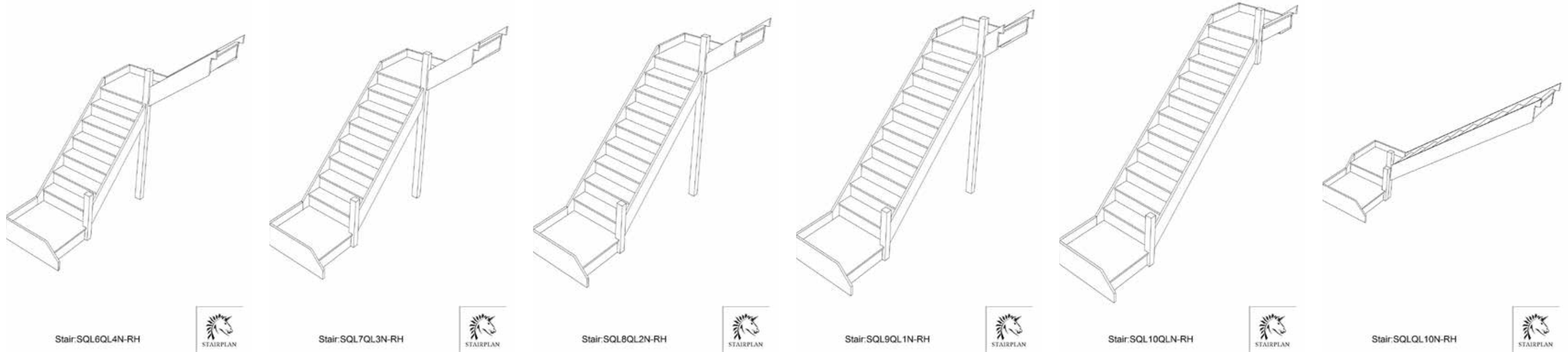
We need to know which material specification you would like quoting in from our [model range](#) also.

sales@stairplan.com  
01952 608853



# STAIRPLAN

## Right Hand Double Quarter Landing Staircases - Plan Layouts - No Handrails



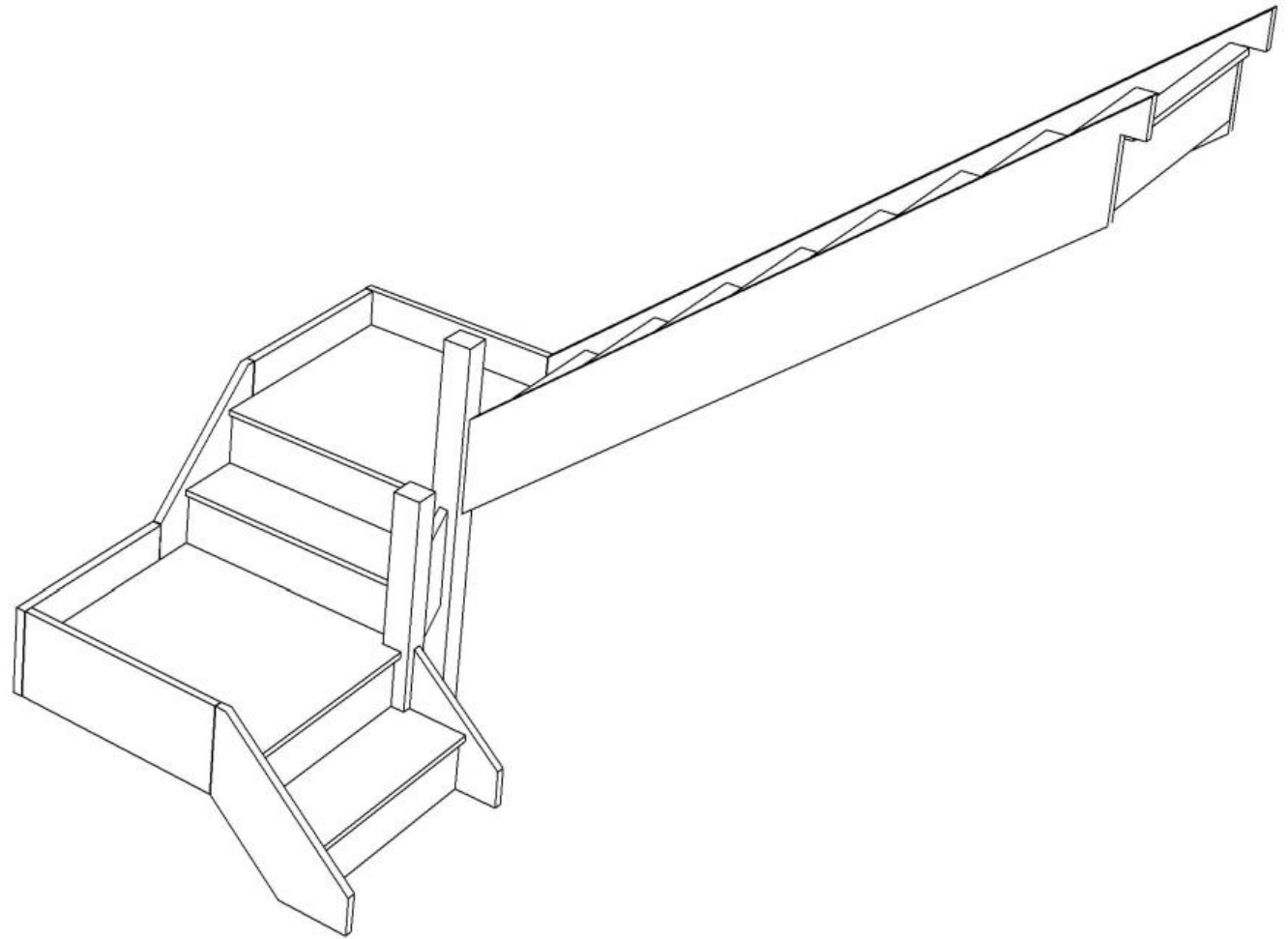
For a fully made to measure double Quarter Landing staircase with layouts like these contact us with the Plan reference number for a quotation.

We need to know which material specification you would like quoting in from our [model range](#) also.

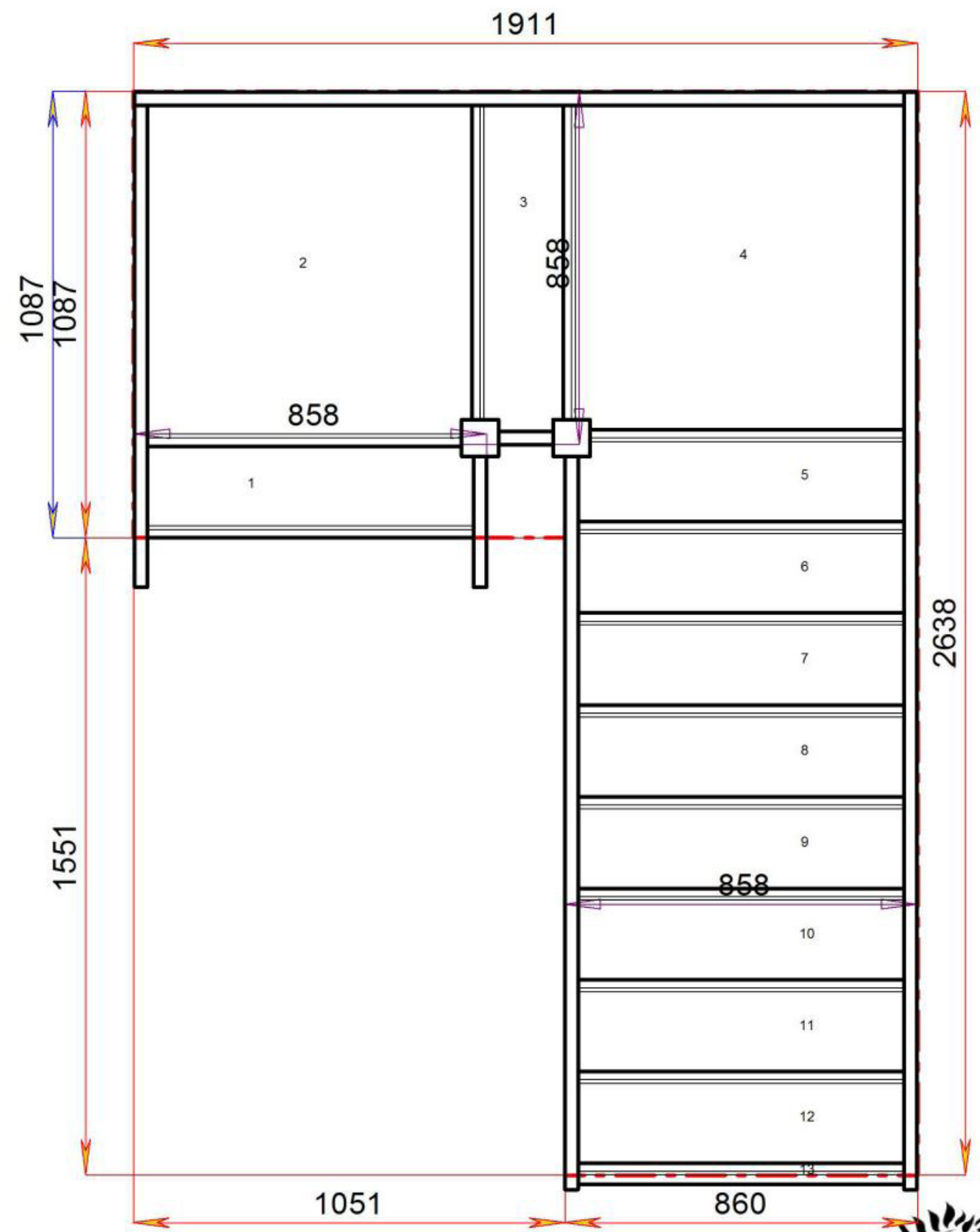
sales@stairplan.com  
01952 608853

Stair Layouts-D QL

S1QL1QL8N-RH



Stair:S1QL1QL8N-RH



Floor to floor height 2600.000 mm

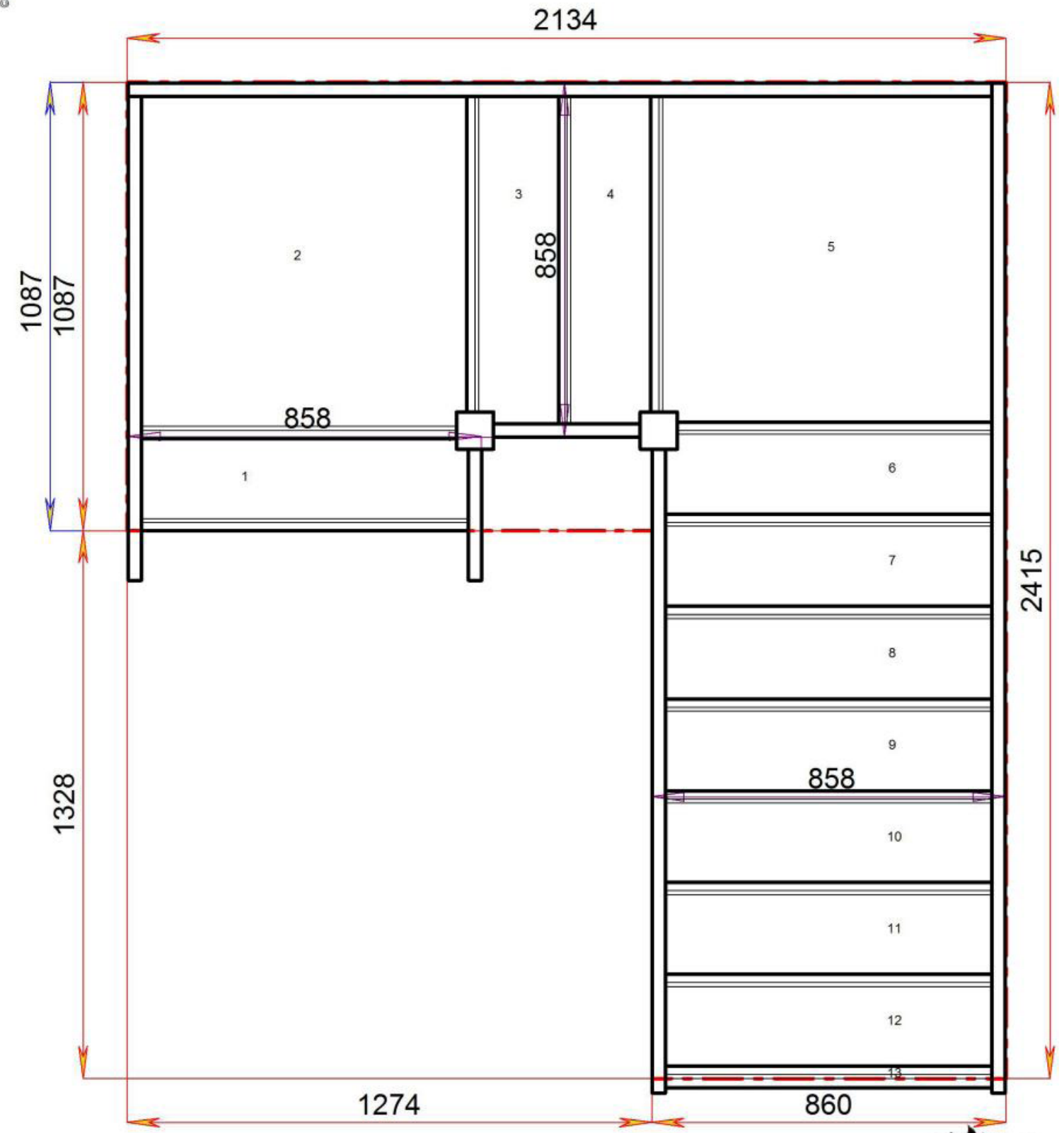
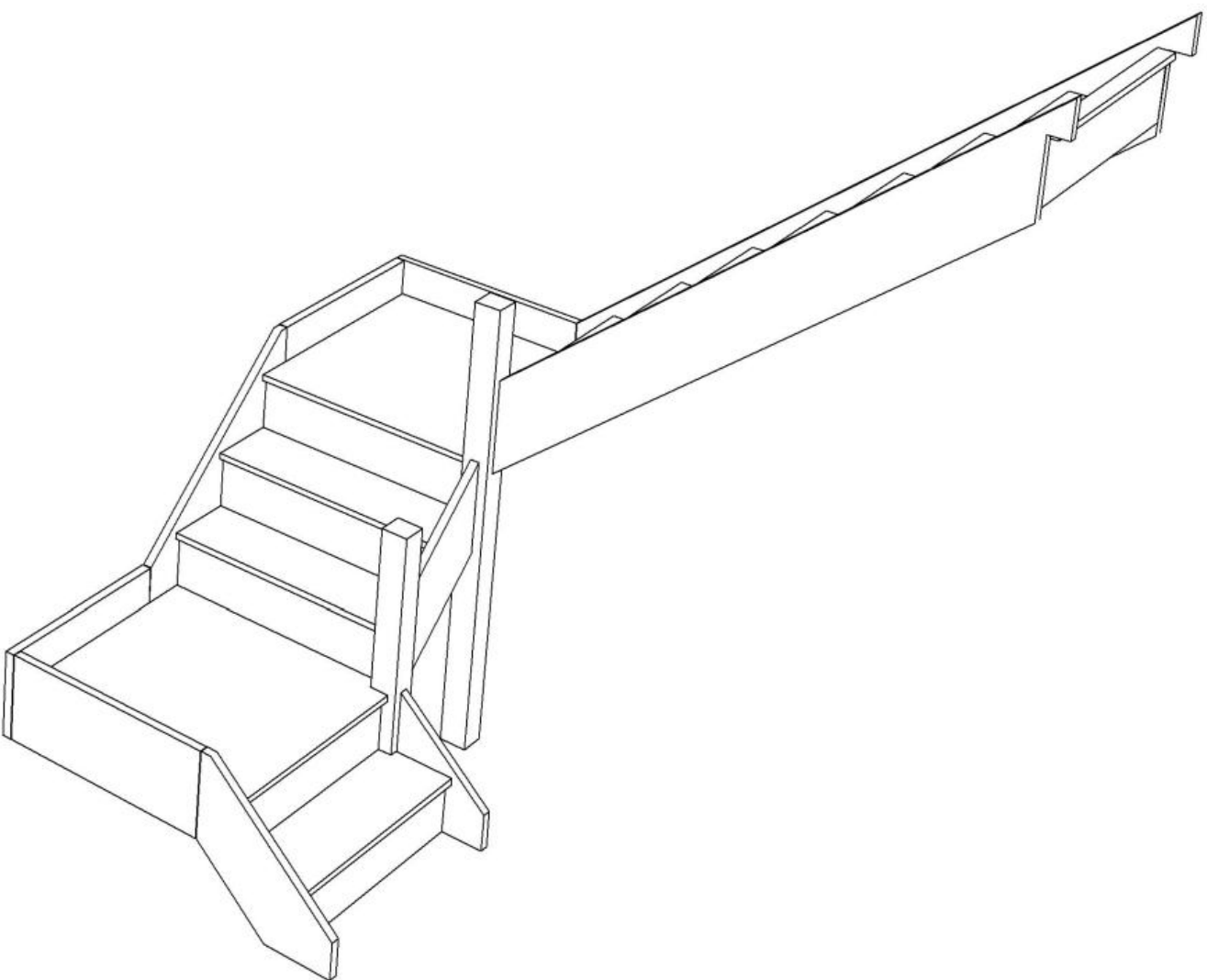




© 080906328/11035

### Stair Layouts-D QL

### S1QL2QL7N-RH



Stair:S1QL2QL7N-RH



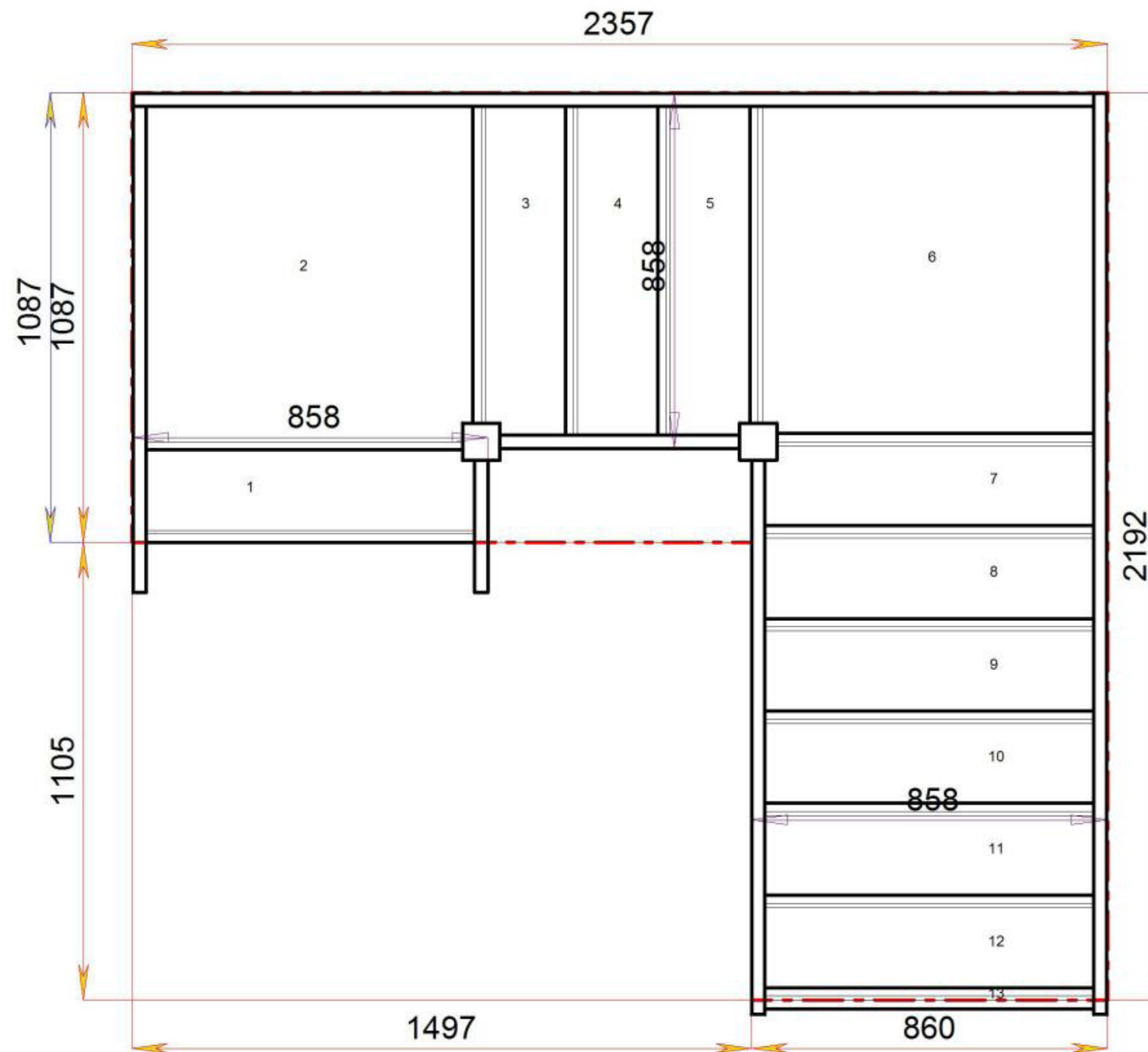
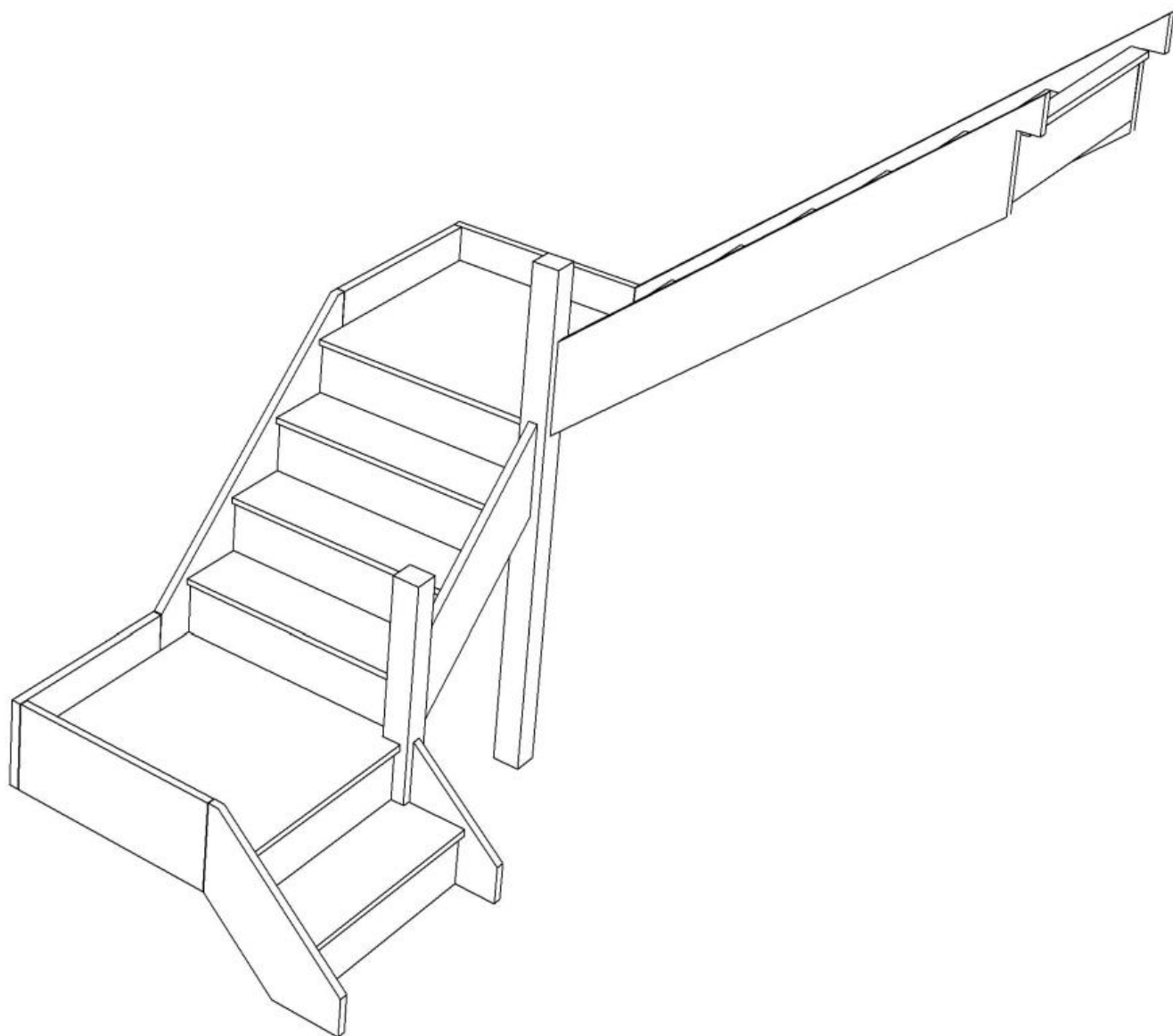
Floor to floor height

2600.000 mm



### Stair Layouts-D QL

### S1QL3QL6N-RH



Stair:S1QL3QL6N-RH



Floor to floor height

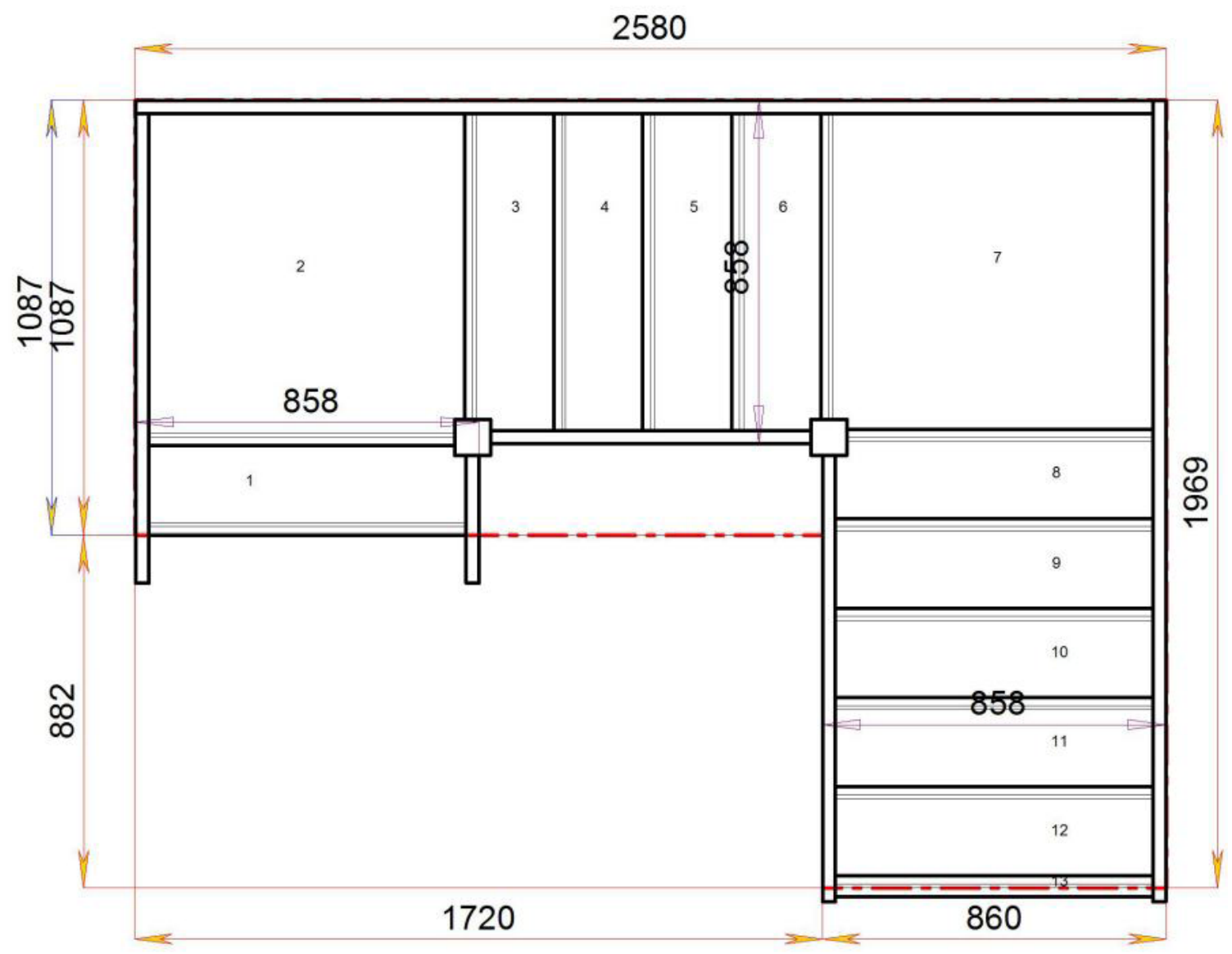
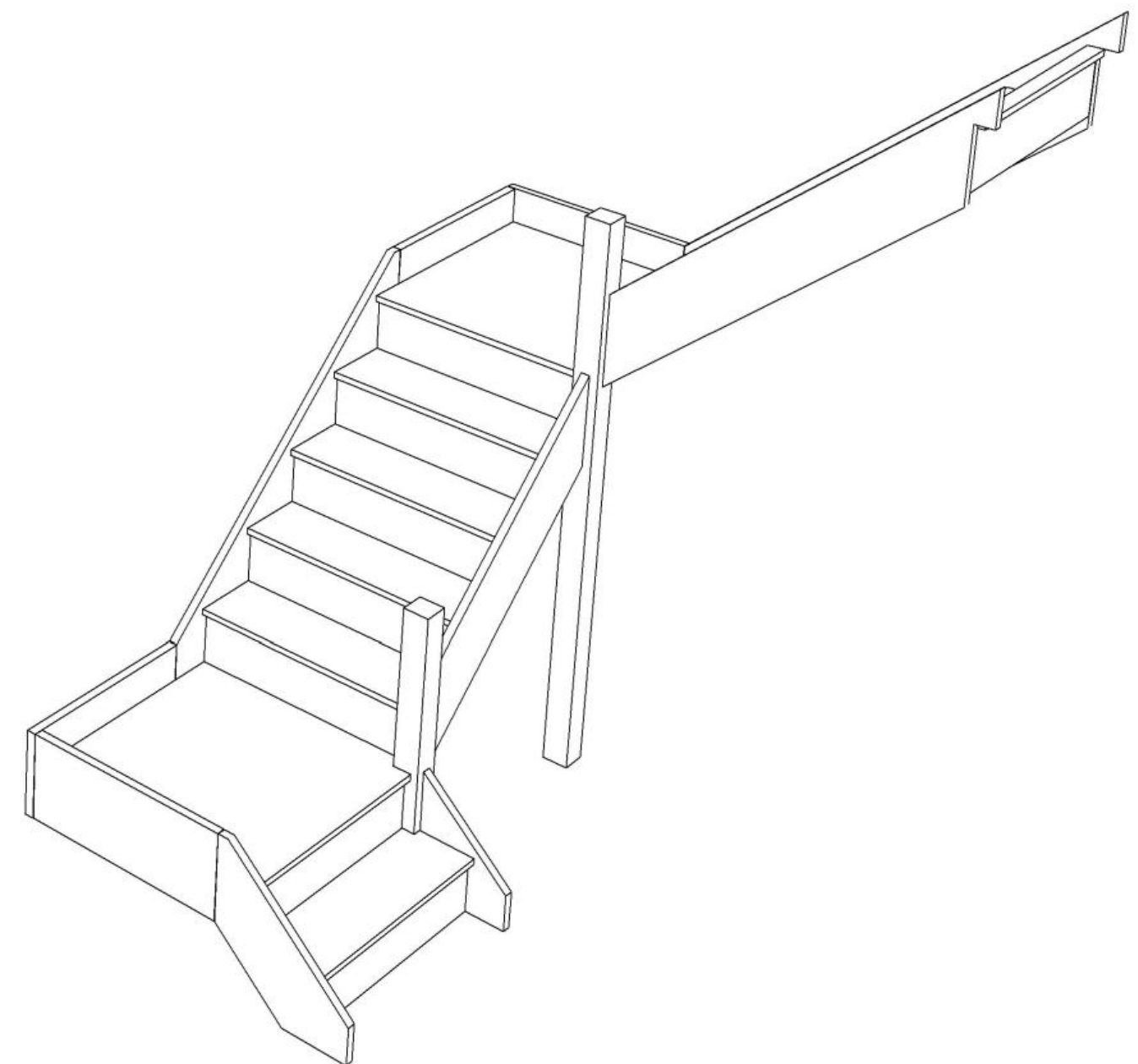
2600.000 mm





### Stair Layouts-D QL

### S1QL4QL5N-RH



Stair:S1QL4QL5N-RH



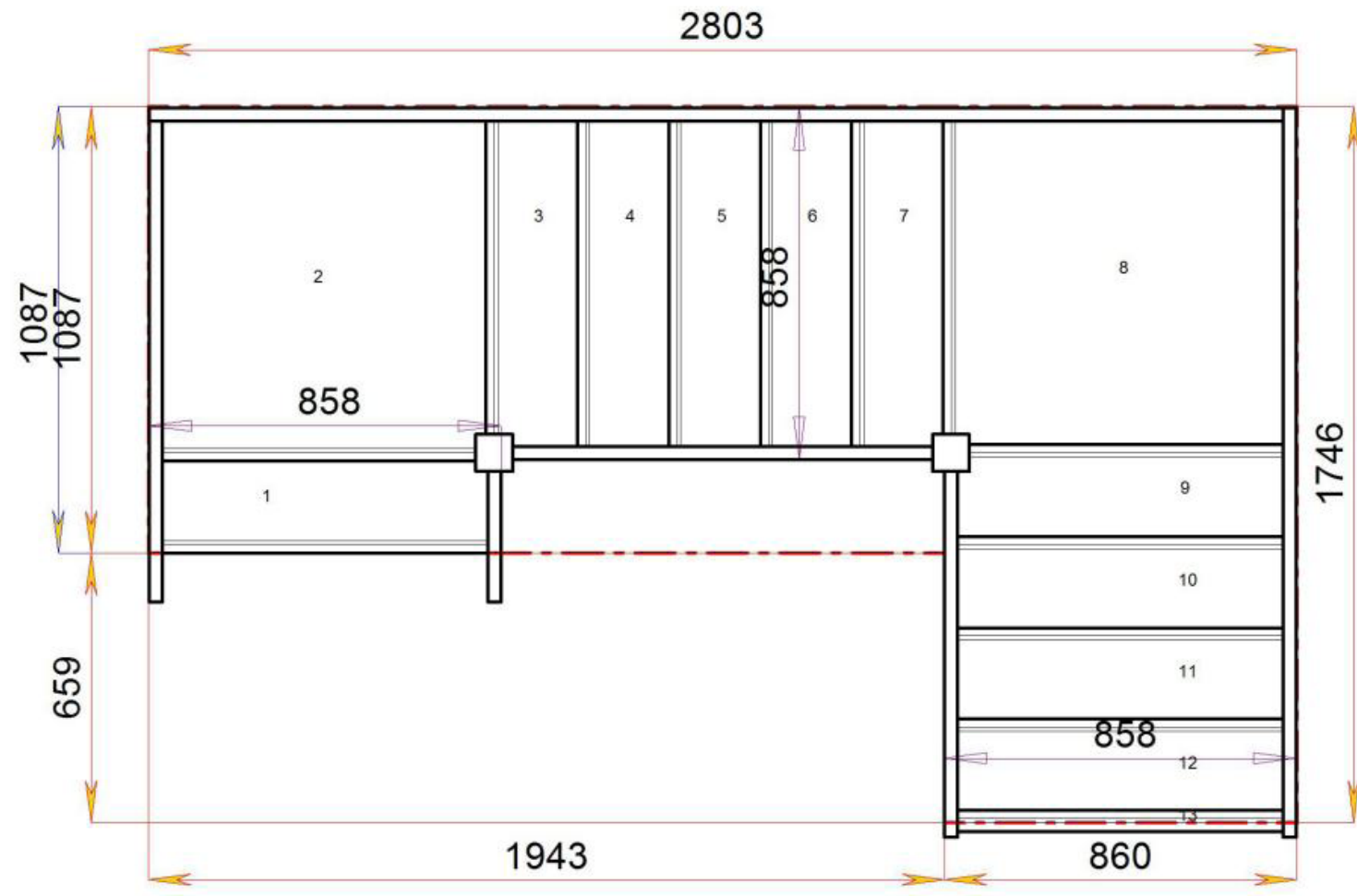
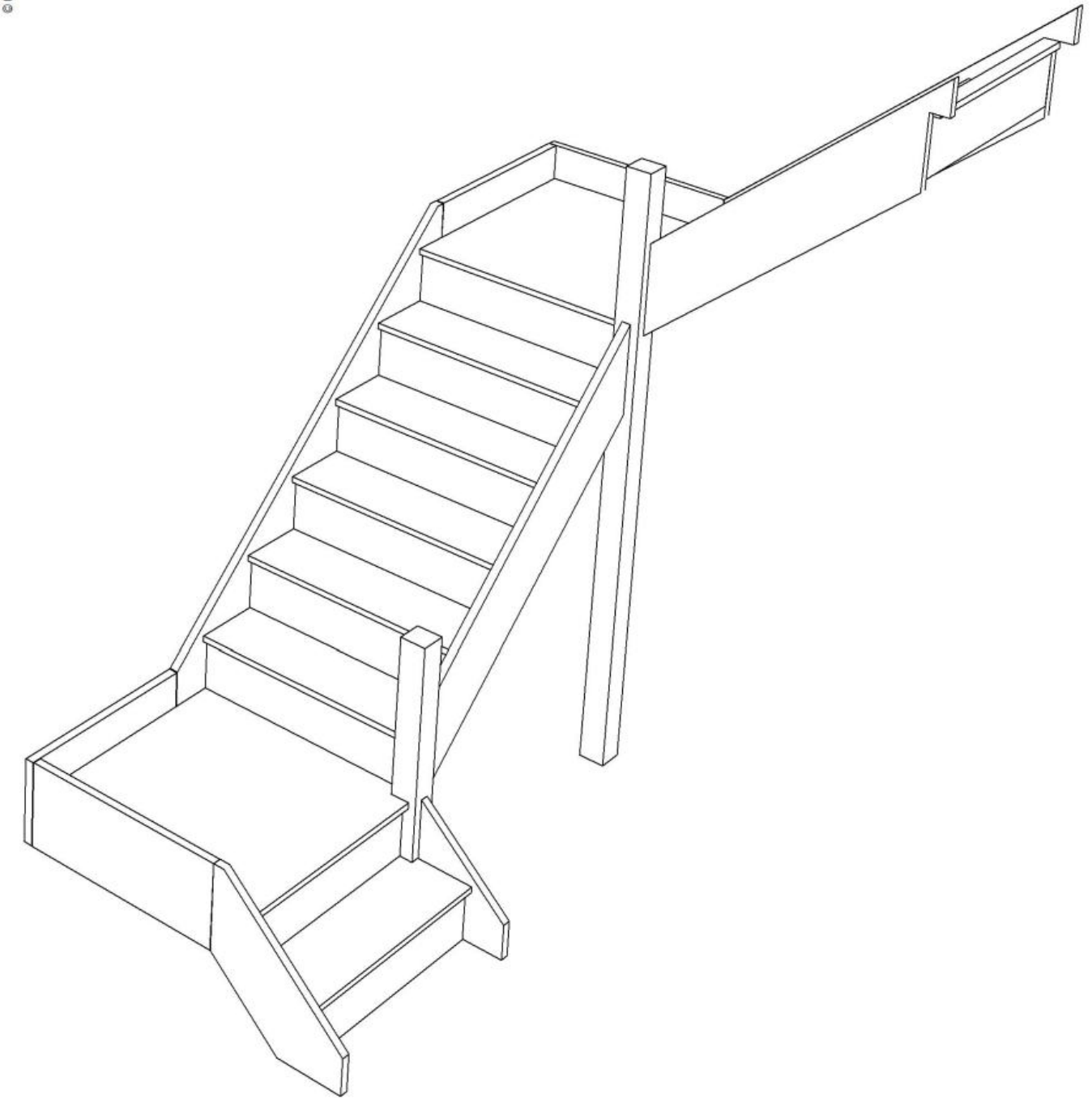
Floor to floor height

2600.000 mm



### Stair Layouts-D QL

### S1QL5QL4N-RH



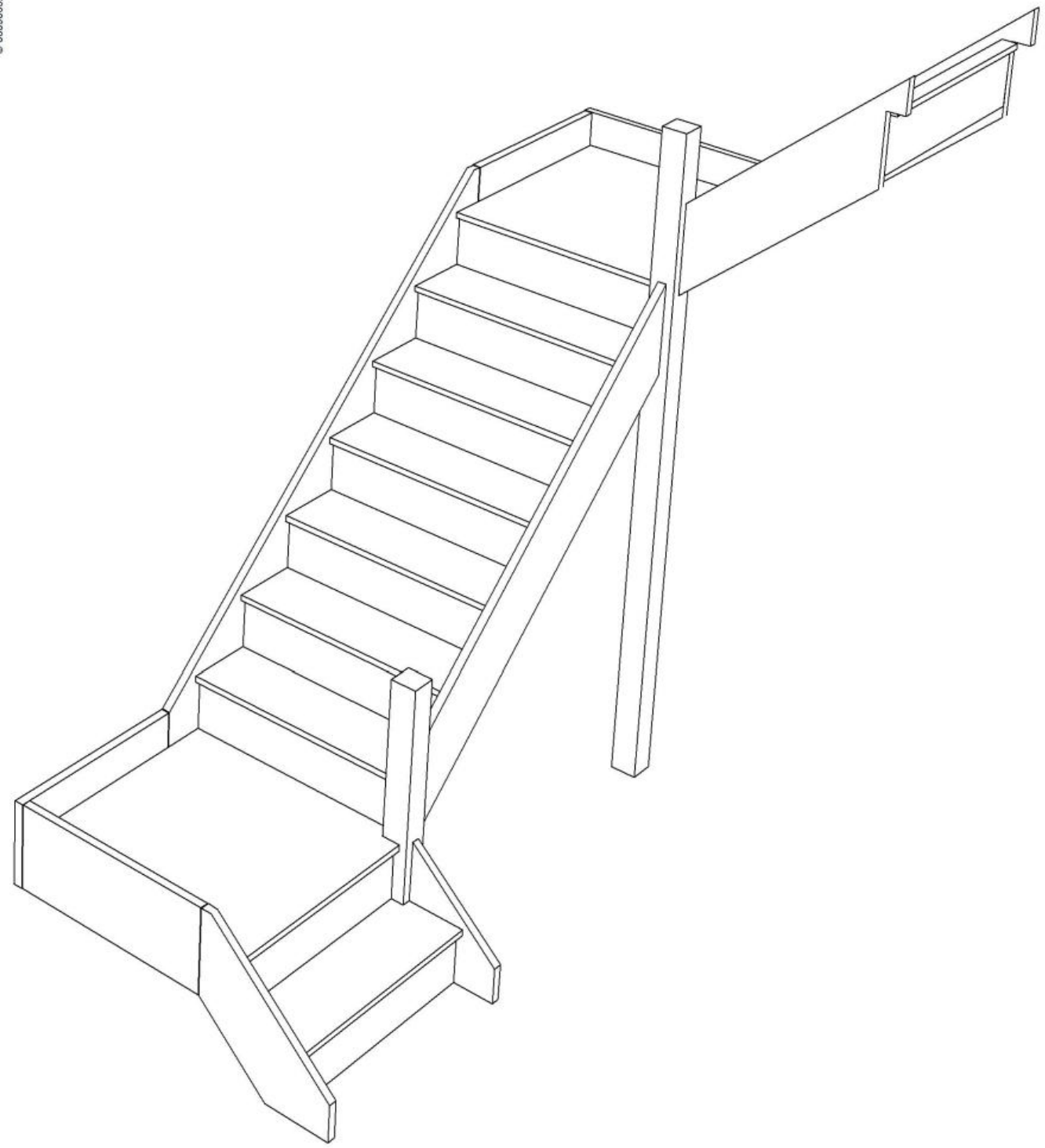
Stair:S1QL5QL4N-RH



Floor to floor height

2600.000 mm



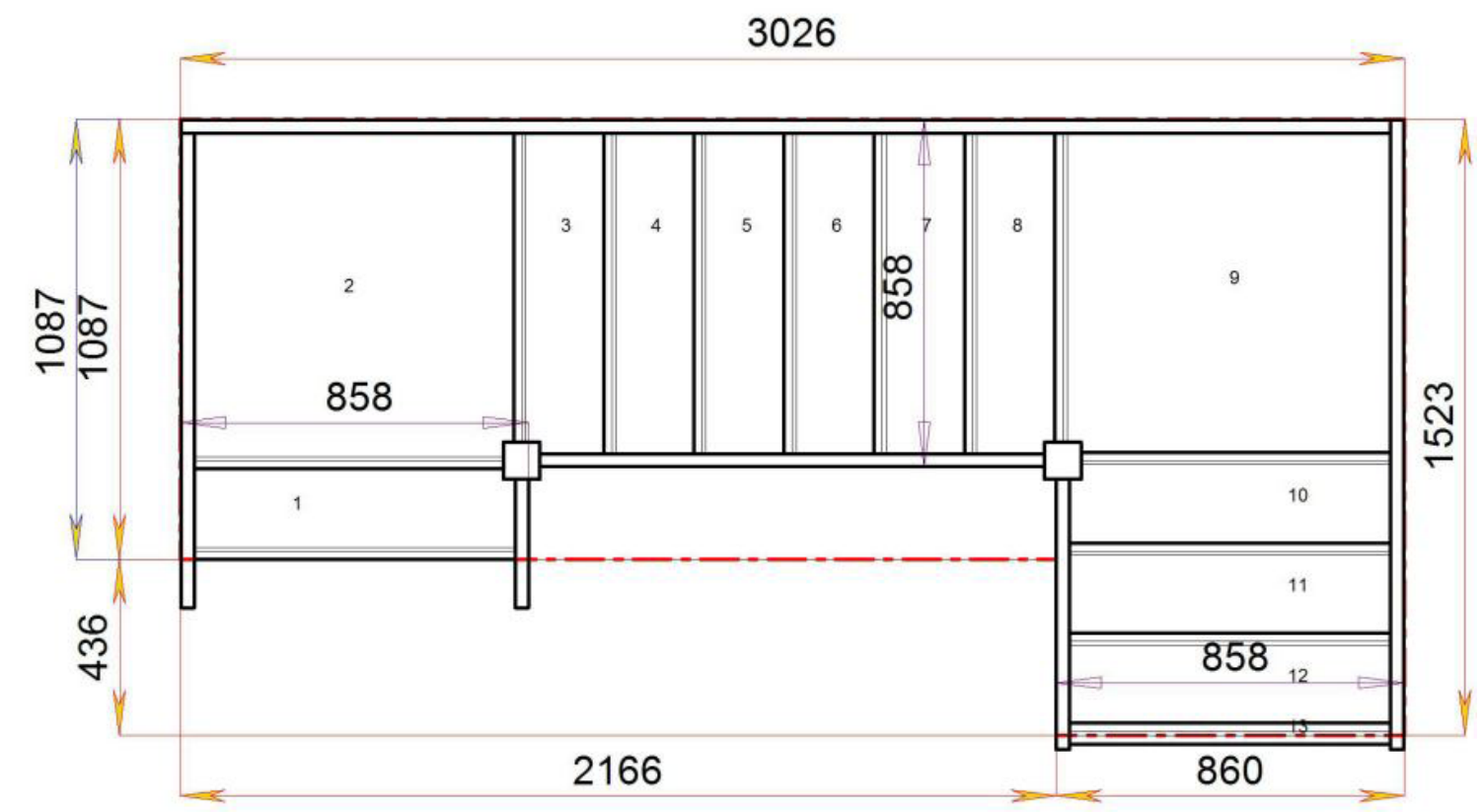


Stair:S1QL6QL3N-RH



### Stair Layouts-D QL

### S1QL6QL3N-RH

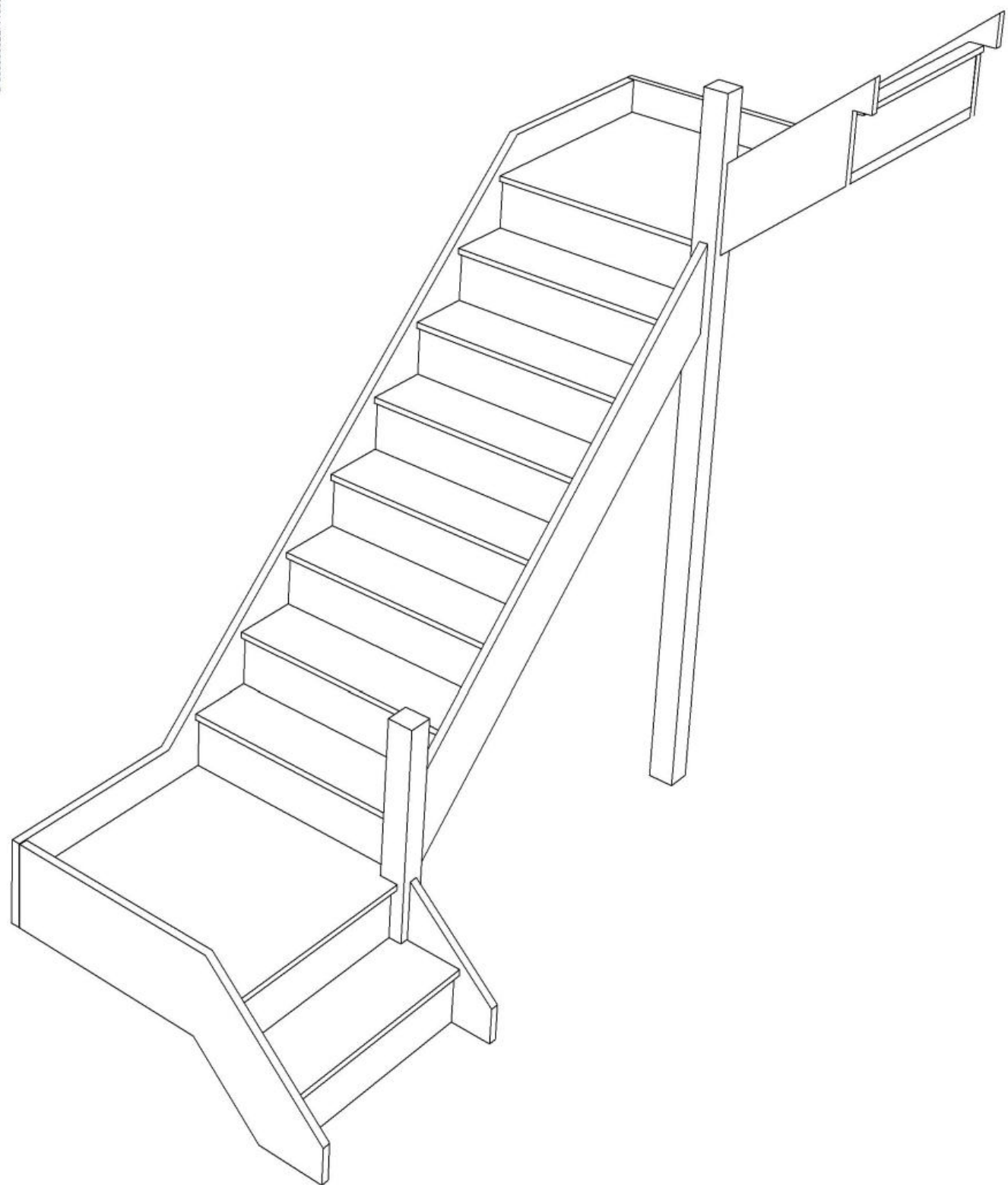


Floor to floor height

2600.000 mm





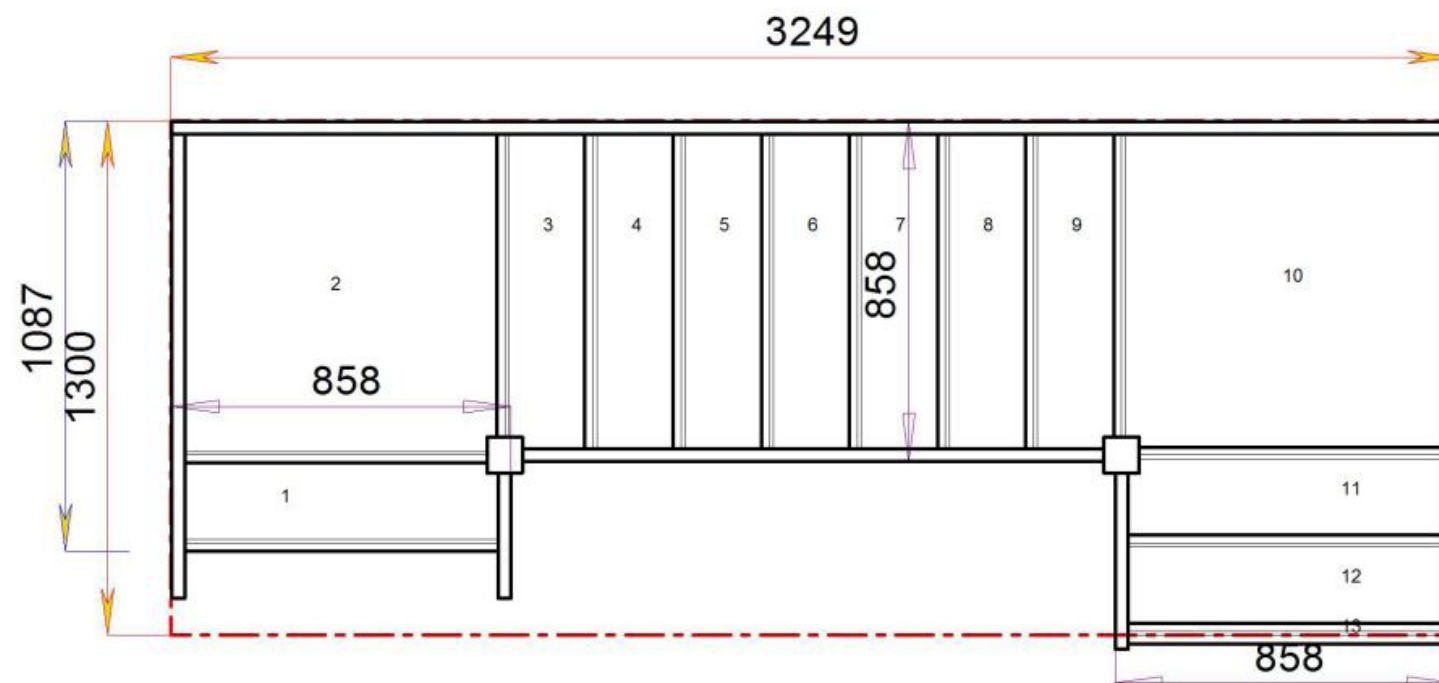


Stair:S1QL7QL2N-RH



### Stair Layouts-D QL

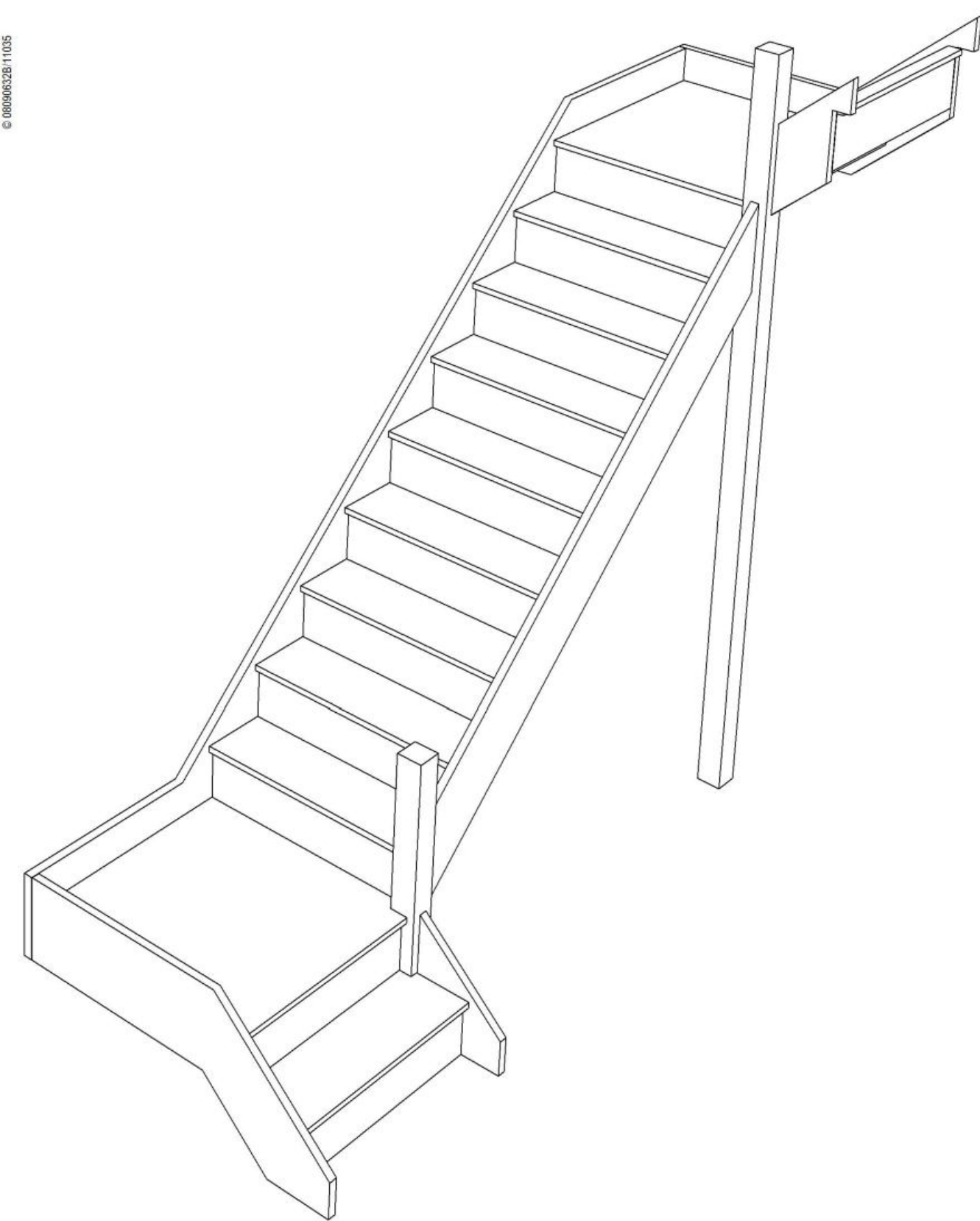
### S1QL7QL2N-RH



Floor to floor height

2600.000 mm





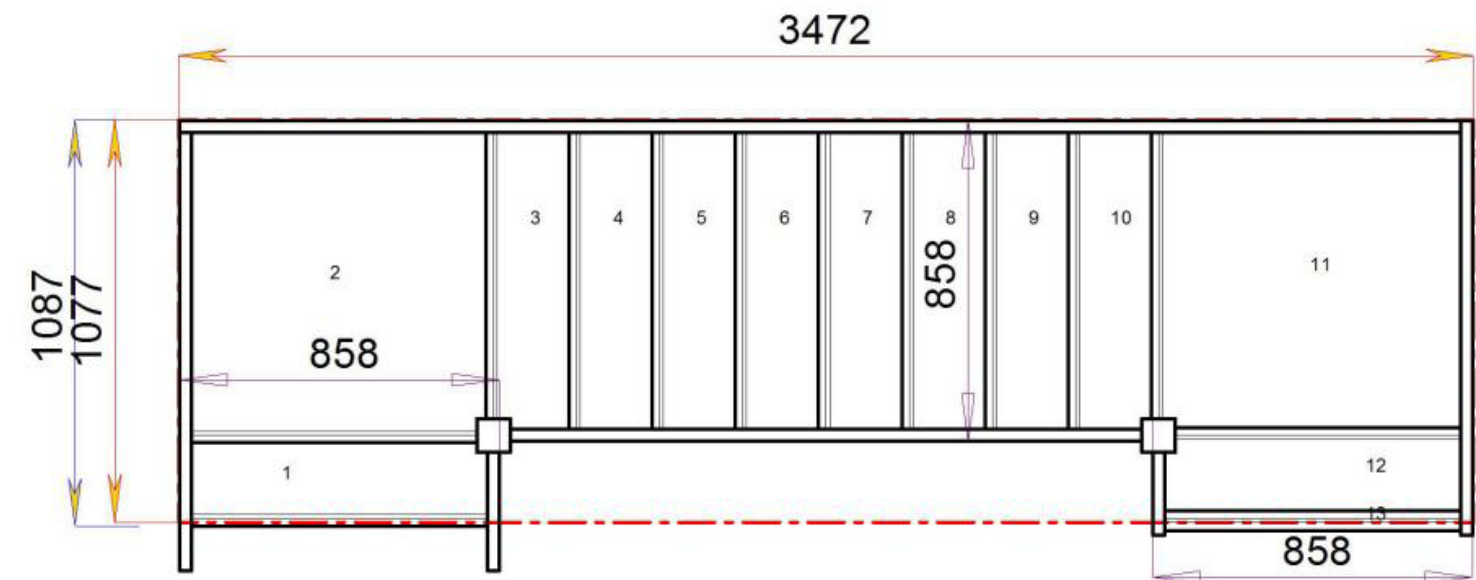
Stair:S1QL8QL1N-RH



© 080066328 11035

Stair Layouts-D QL

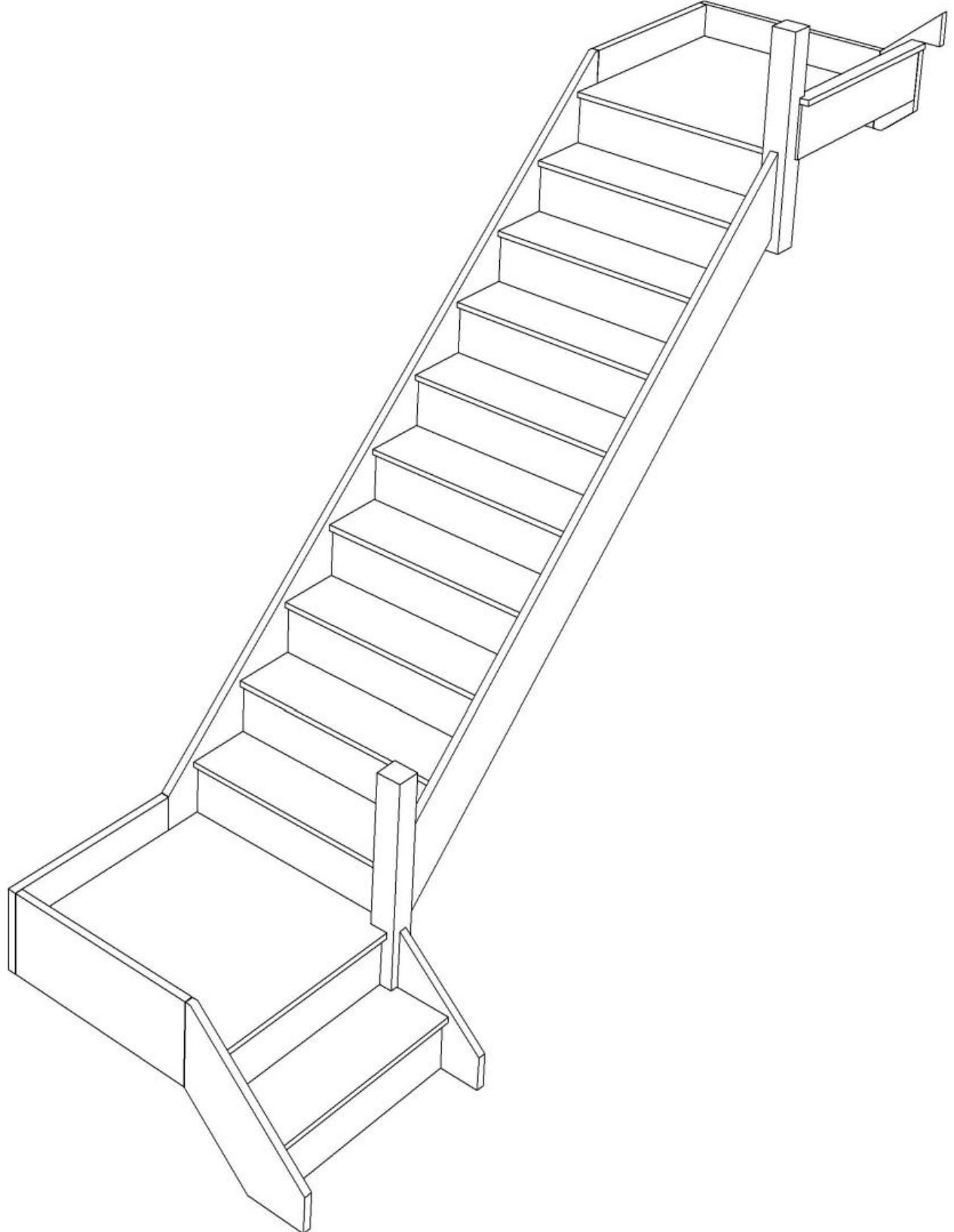
S1QL8QL1N-RH



Floor to floor height

2600.000 mm





Stair:S1QL9QLN-RH



Stair Layouts-D QL

S1QL9QLN-RH



Floor to floor height

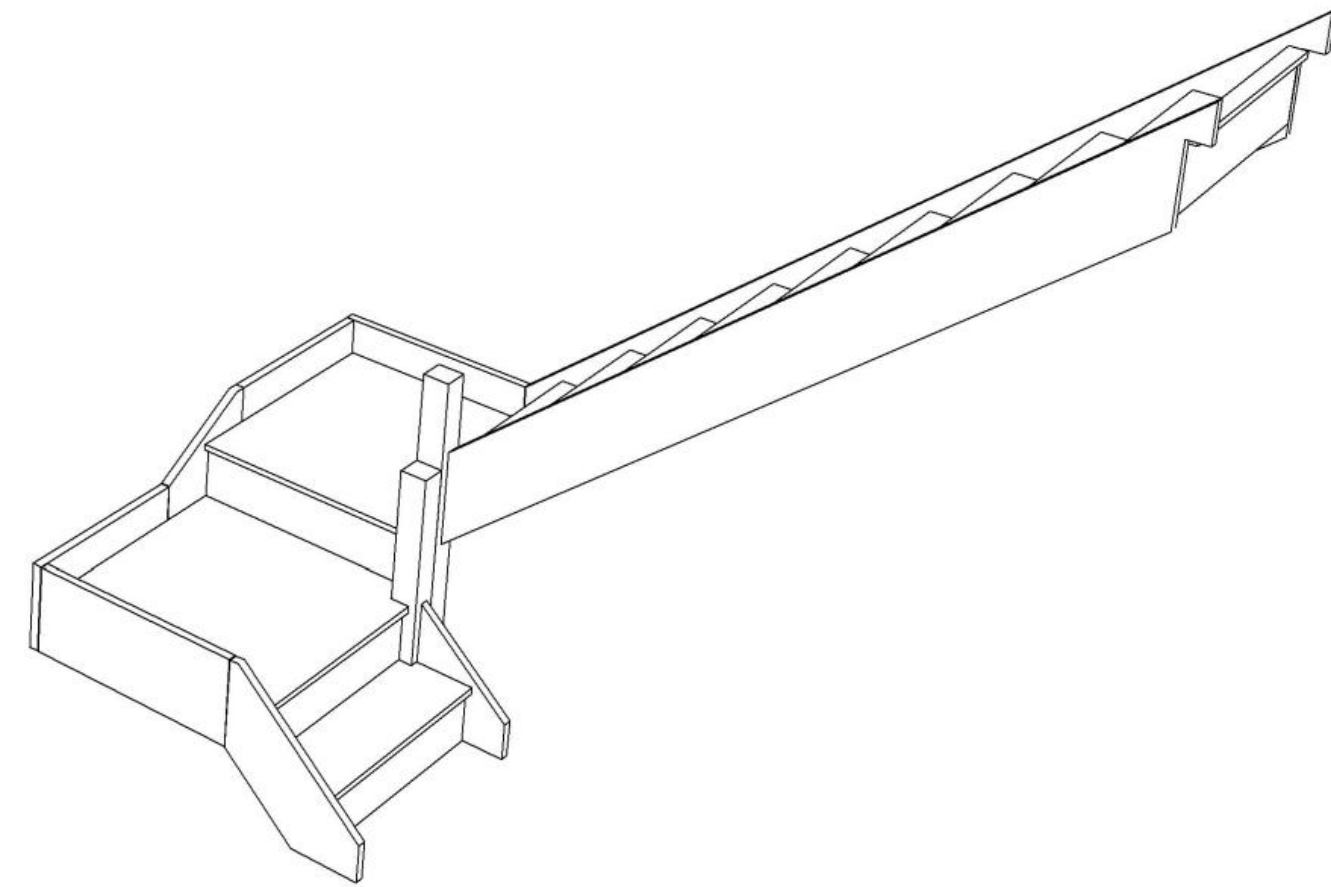
2600.000 mm



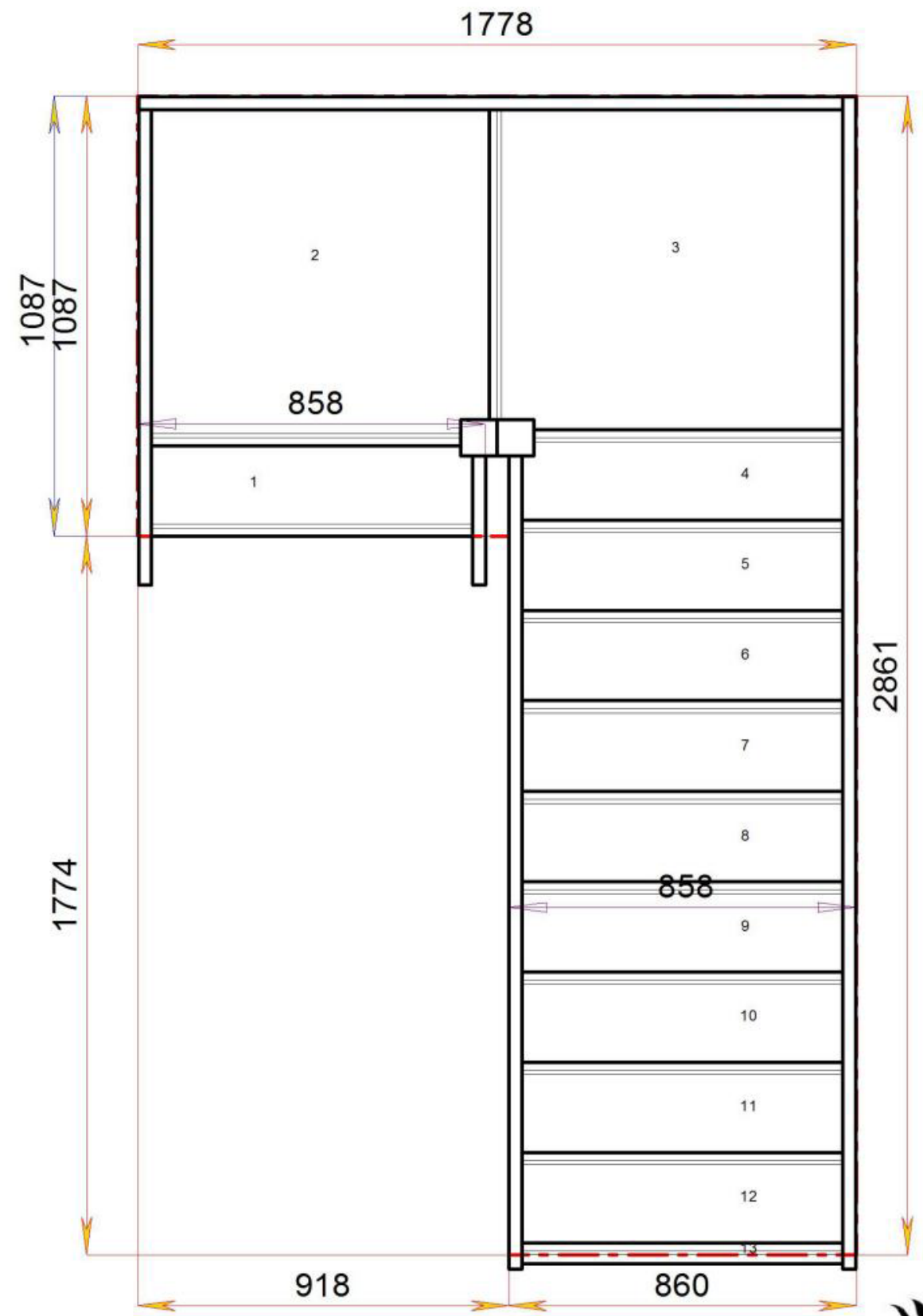


# Stair Layouts-D QL

# S1QLQL9N-RH



Stair:S1QLQL9N-RH

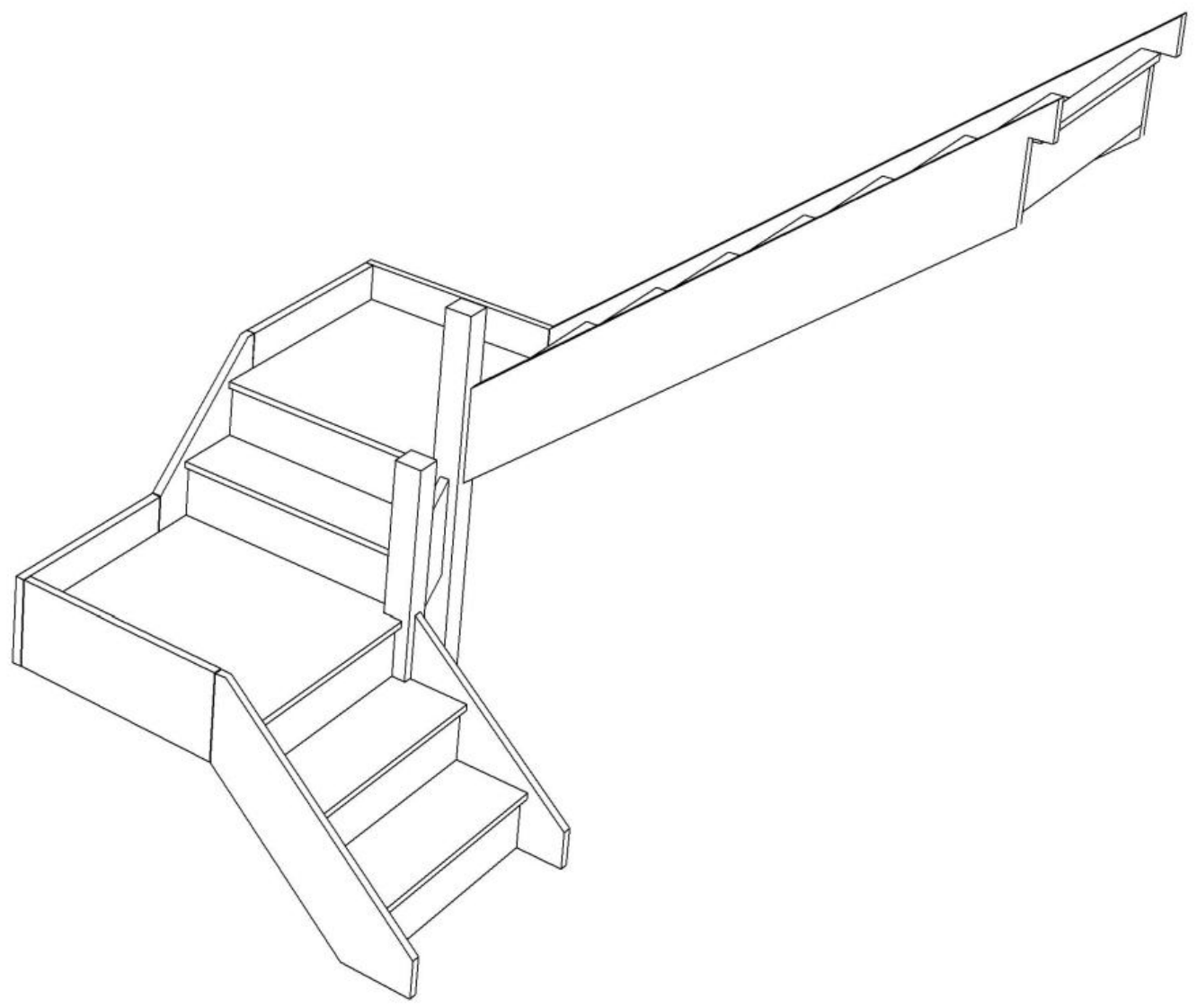


Floor to floor height 2600.000 mm

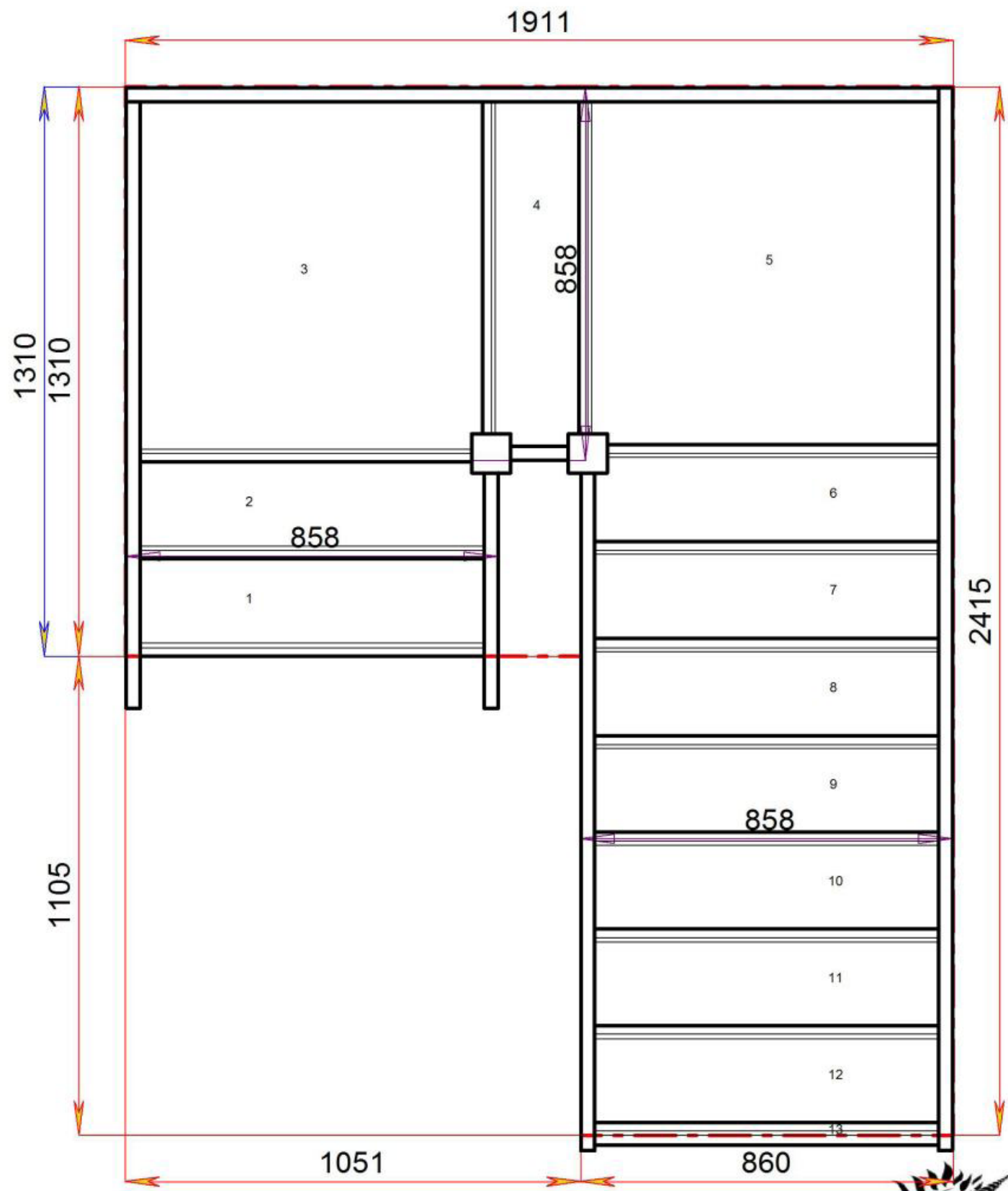


# Stair Layouts-D QL

# S2QL1QL7N-RH



Stair:S2QL1QL7N-RH



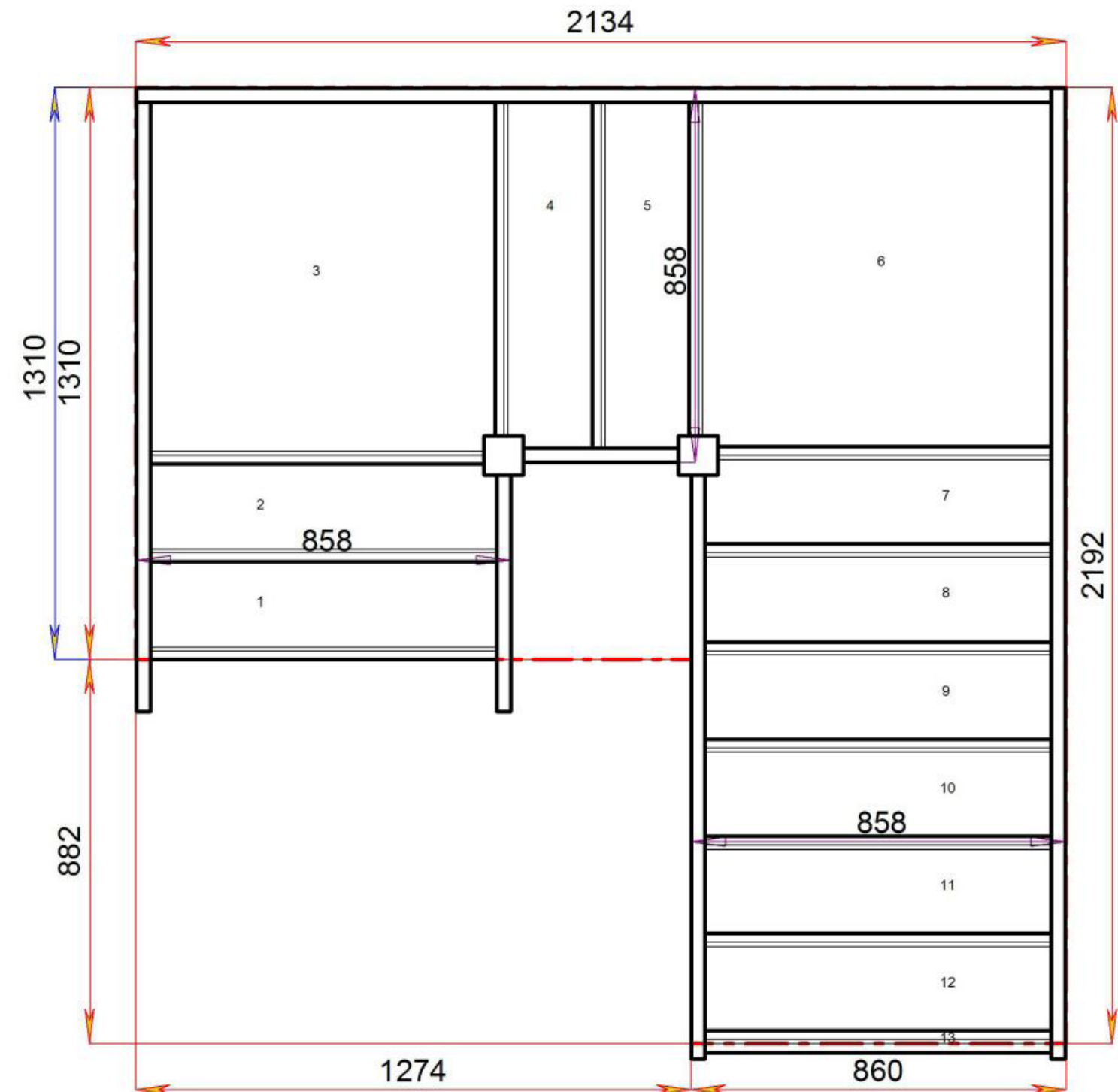
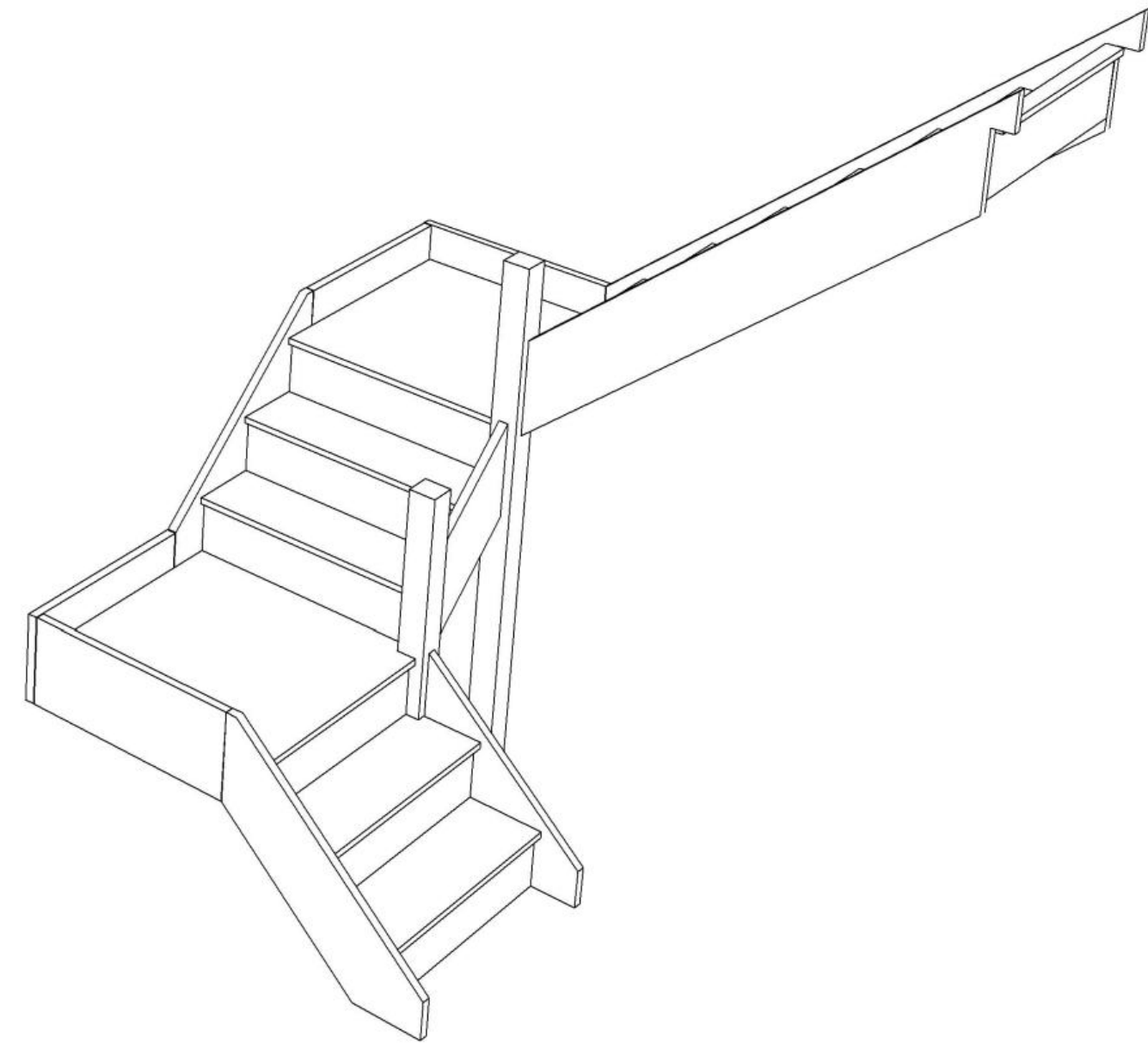
Floor to floor height

2600.000 mm



# Stair Layouts-D QL

# S2QL2QL6N-RH



Stair:S2QL2QL6N-RH



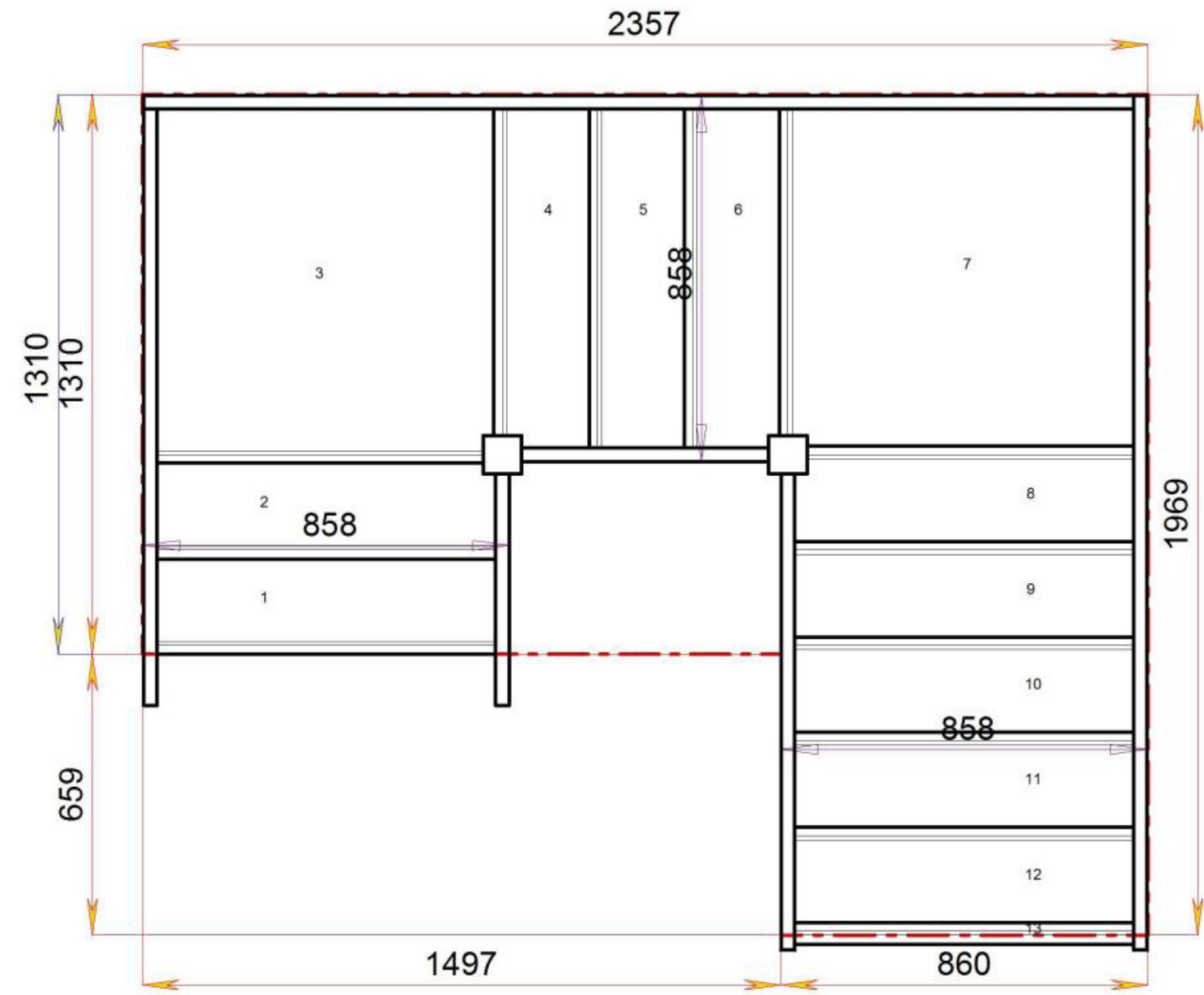
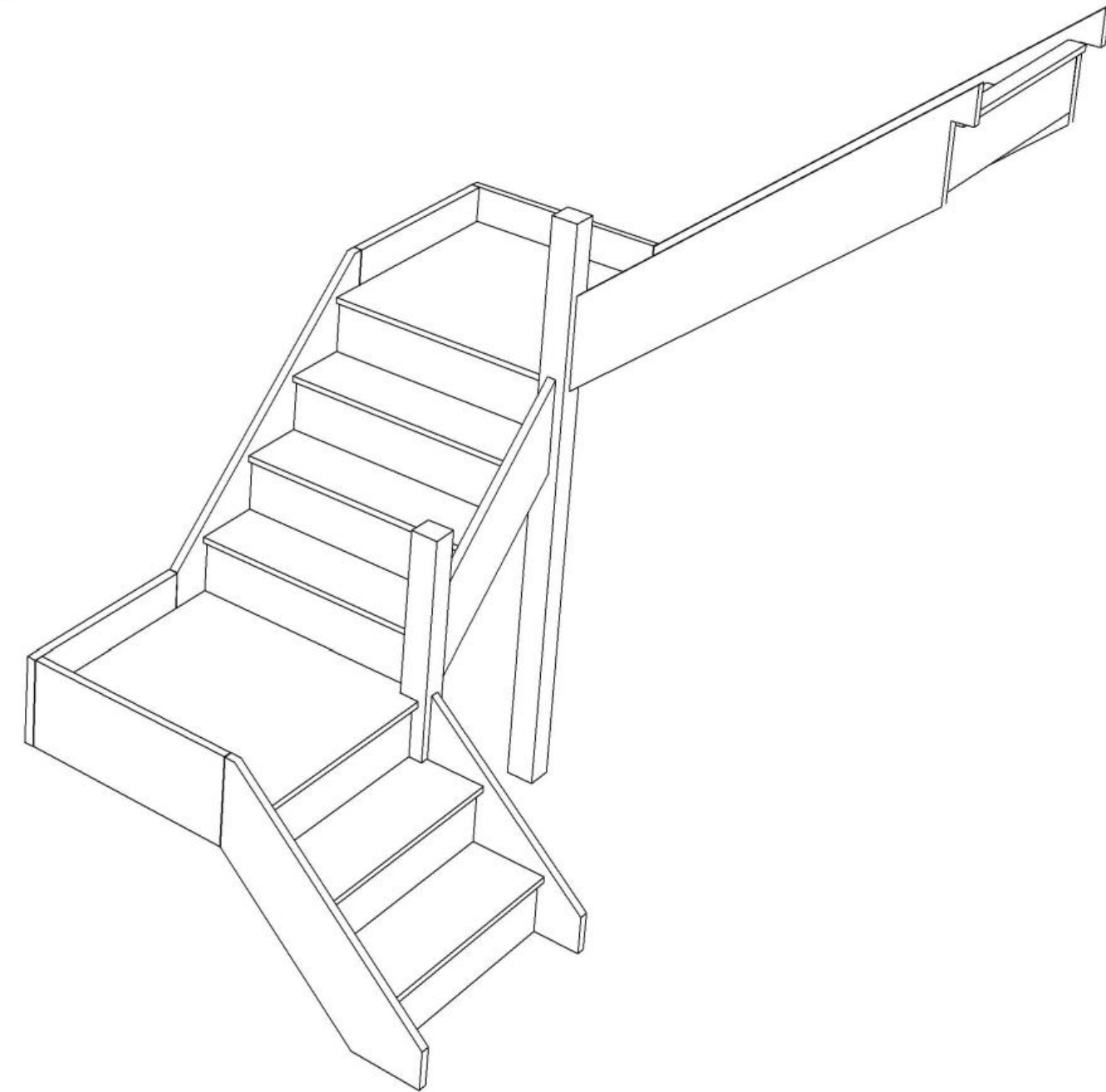
Floor to floor height 2600.000 mm





# Stair Layouts-D QL

# S2QL3QL5N-RH



Stair:S2QL3QL5N-RH



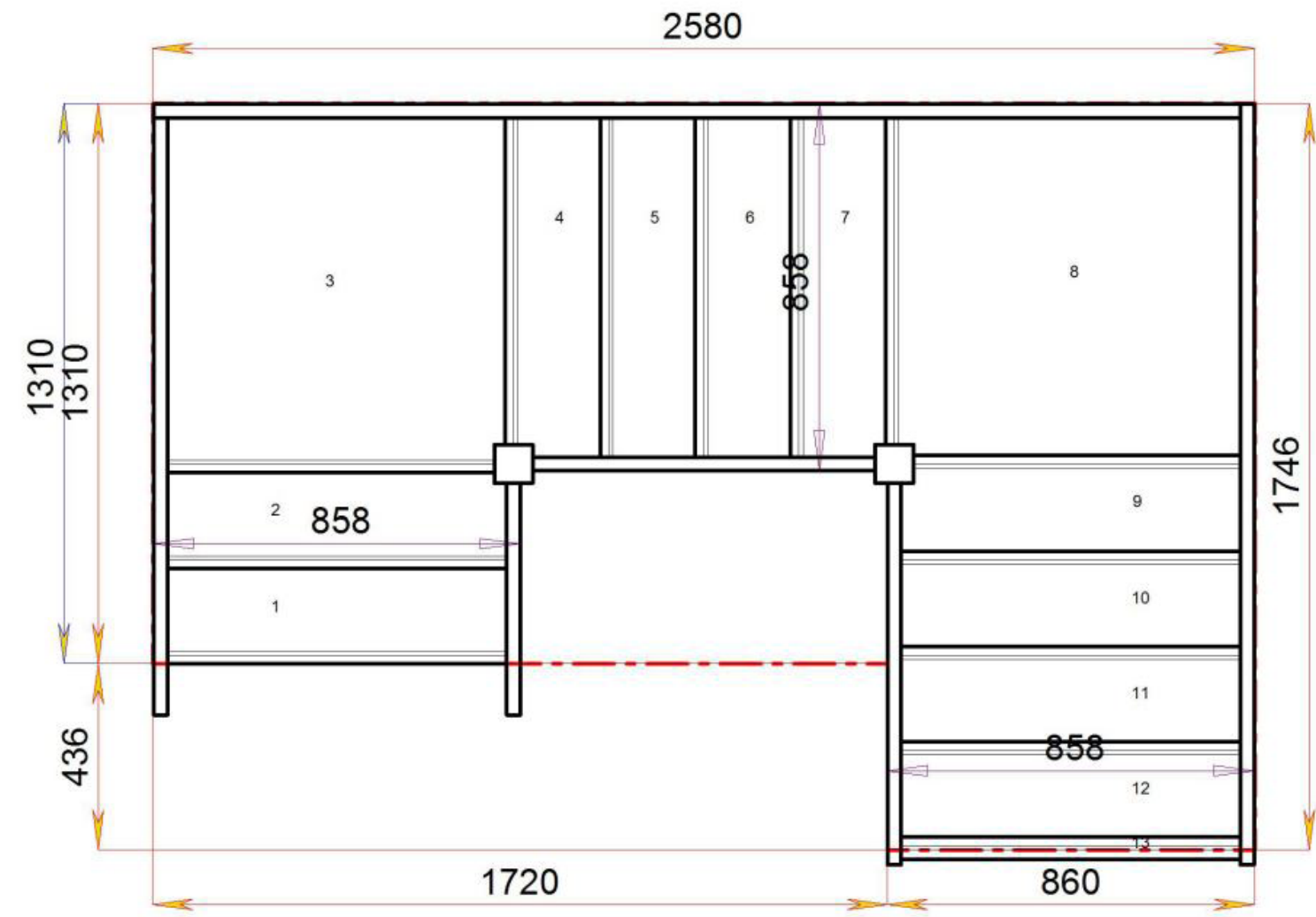
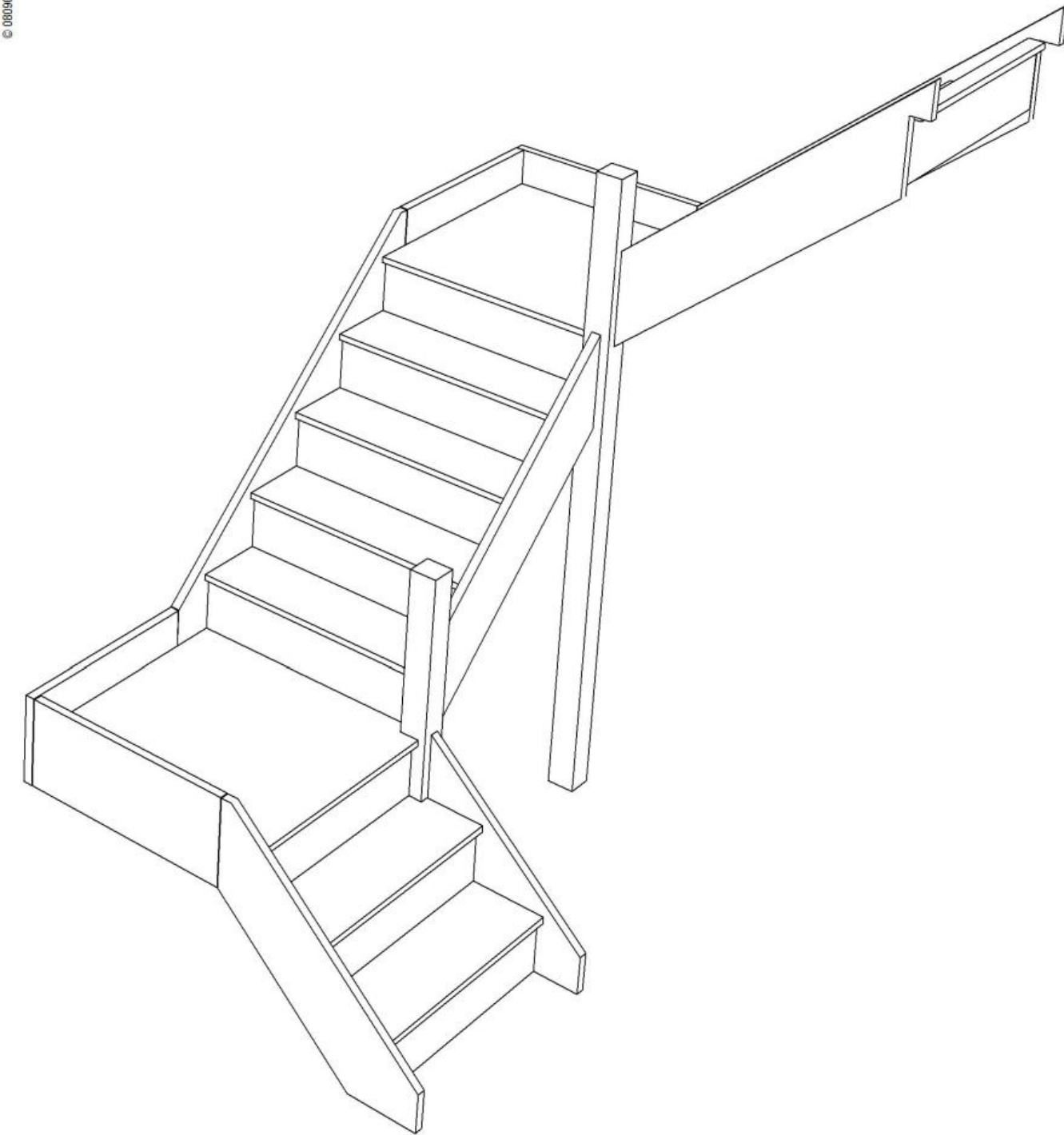
Floor to floor height

2600.000 mm



# Stair Layouts-D QL

# S2QL4QL4N-RH



Stair:S2QL4QL4N-RH



Floor to floor height 2600.000 mm

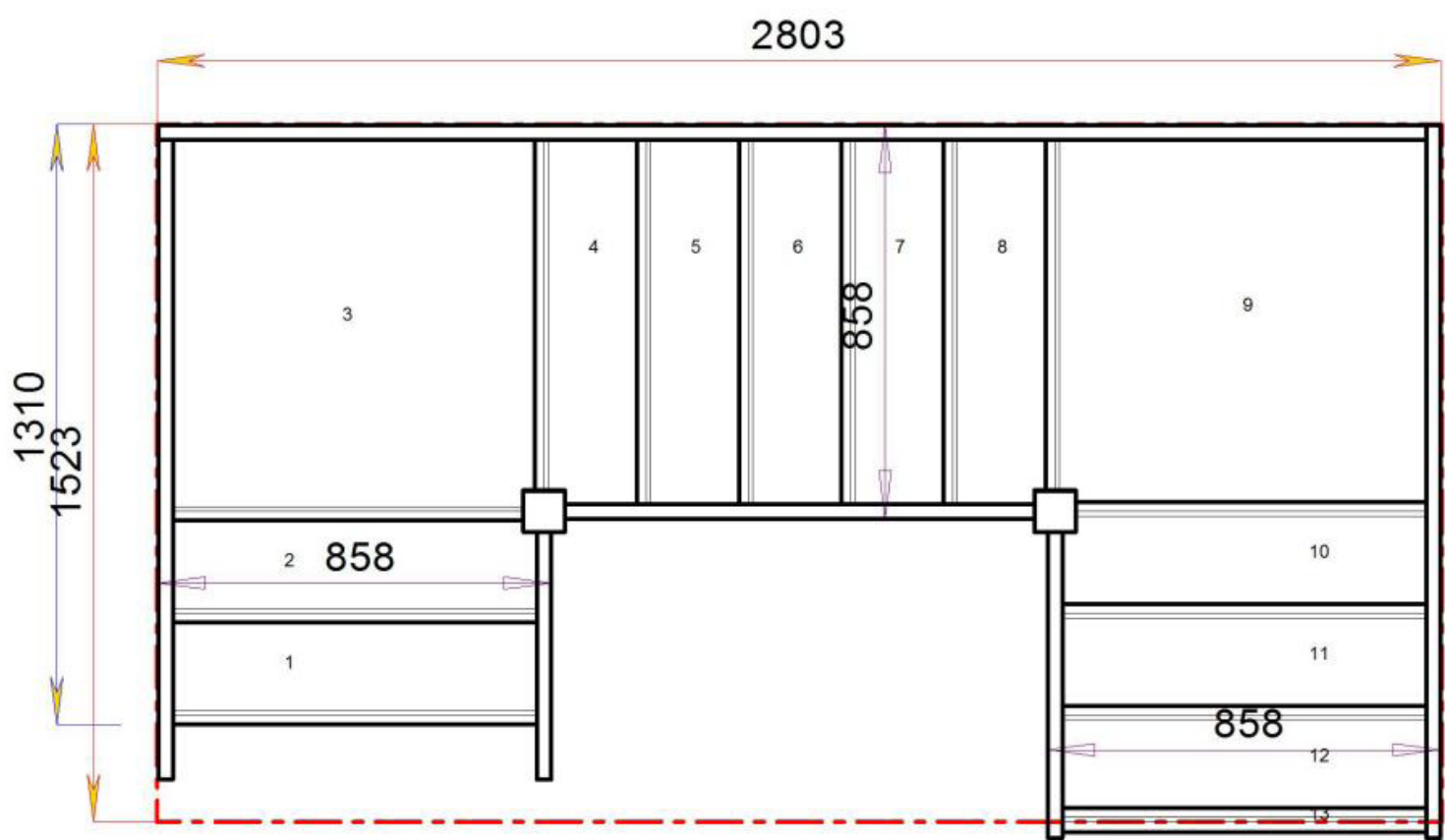
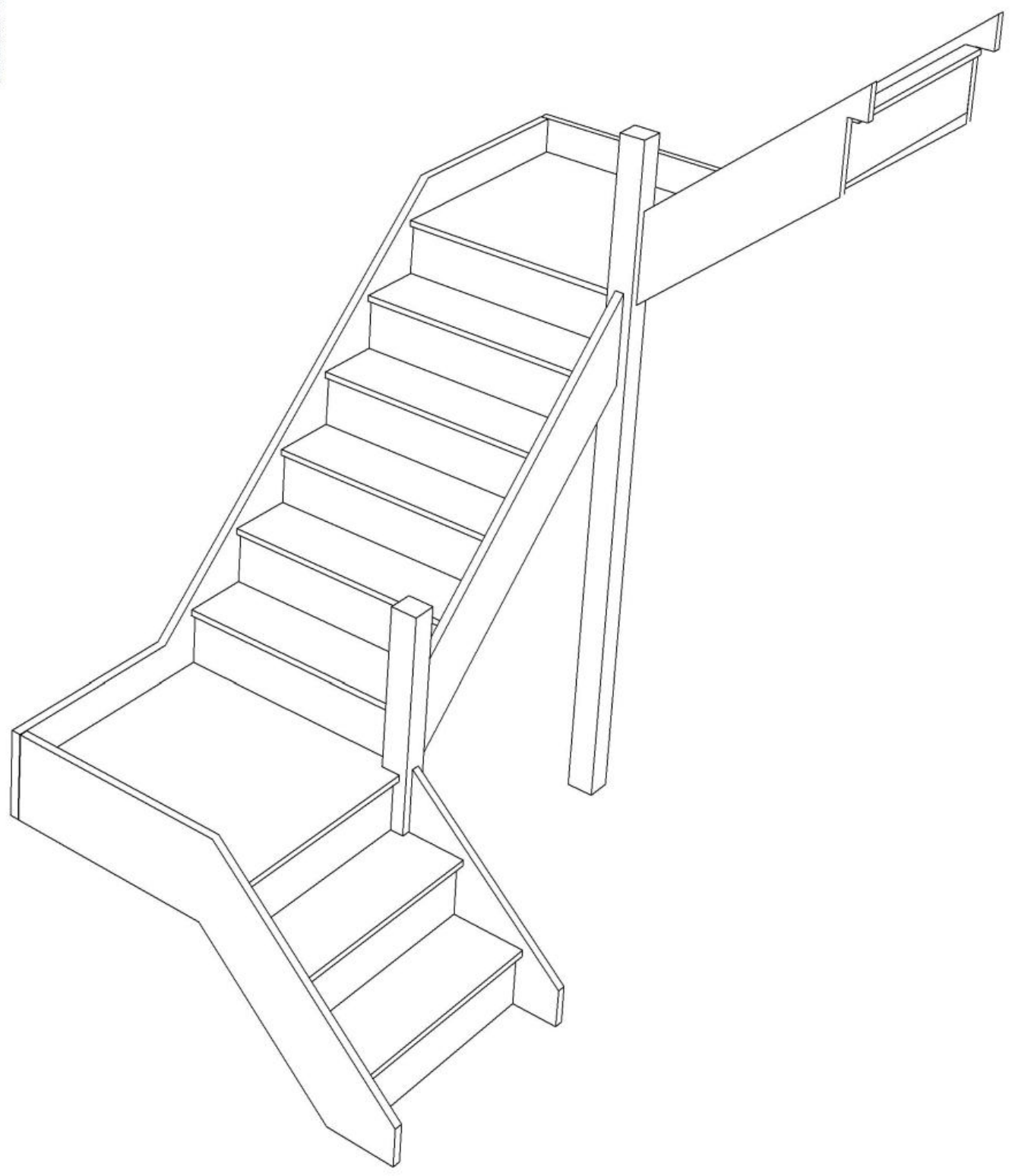


© 08090632B/11035

© 08090632B/11035

### Stair Layouts-D QL

### S2QL5QL3N-RH



Stair:S2QL5QL3N-RH



Floor to floor height

2600.000 mm



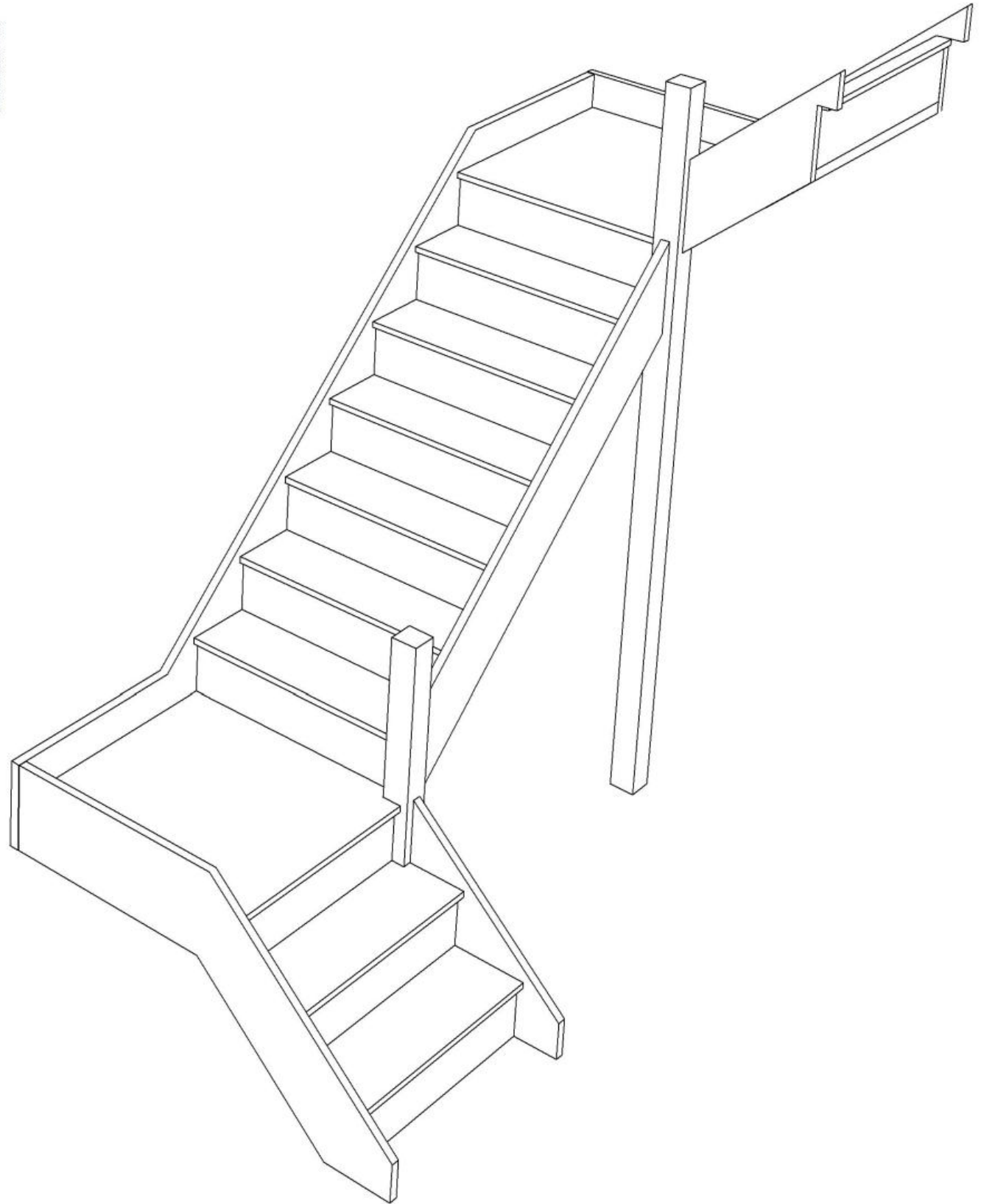


© 08090632B/11035

© 08090632B/11035

### Stair Layouts-D QL

### S2QL6QL2N-RH



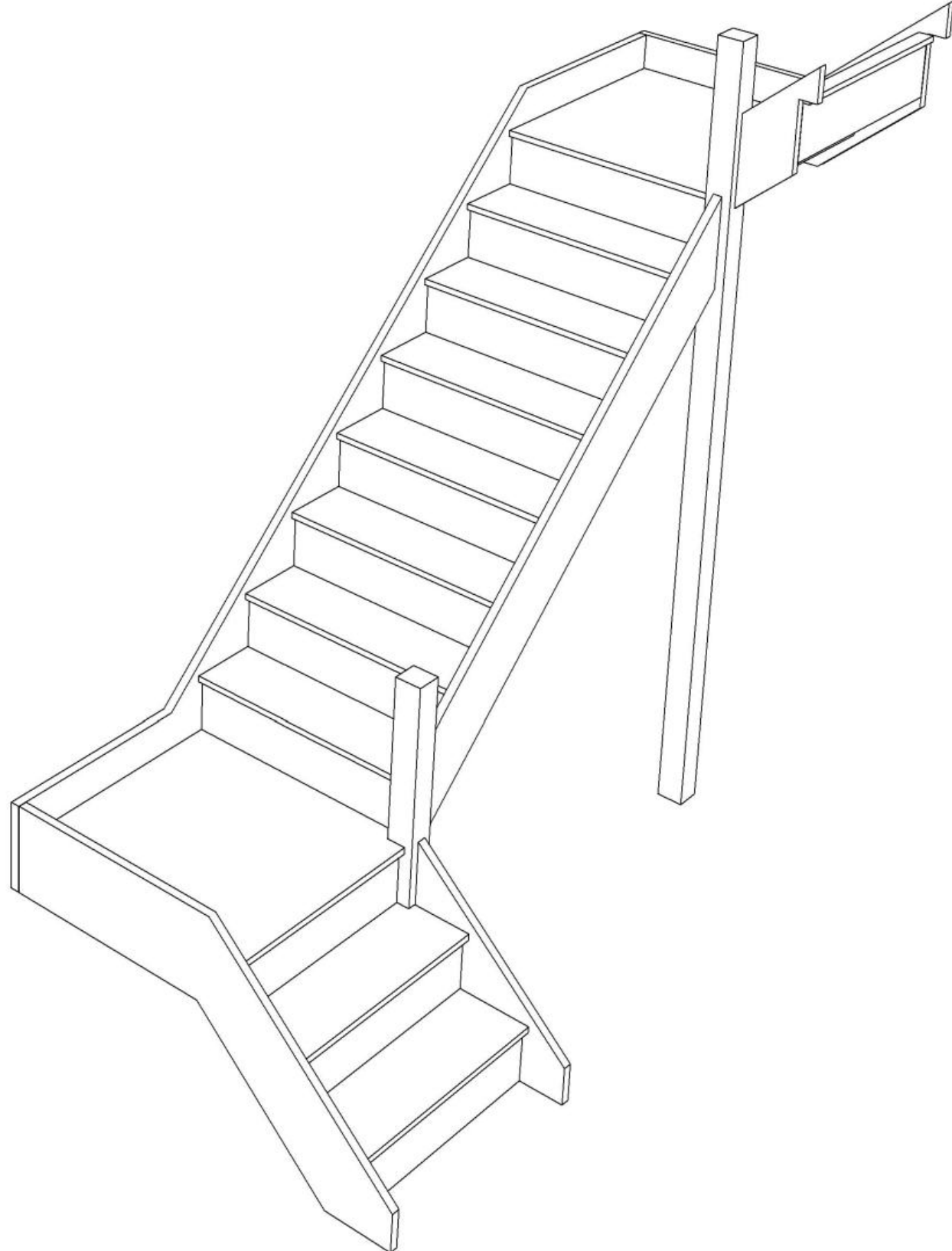
Stair:S2QL6QL2N-RH



Floor to floor height

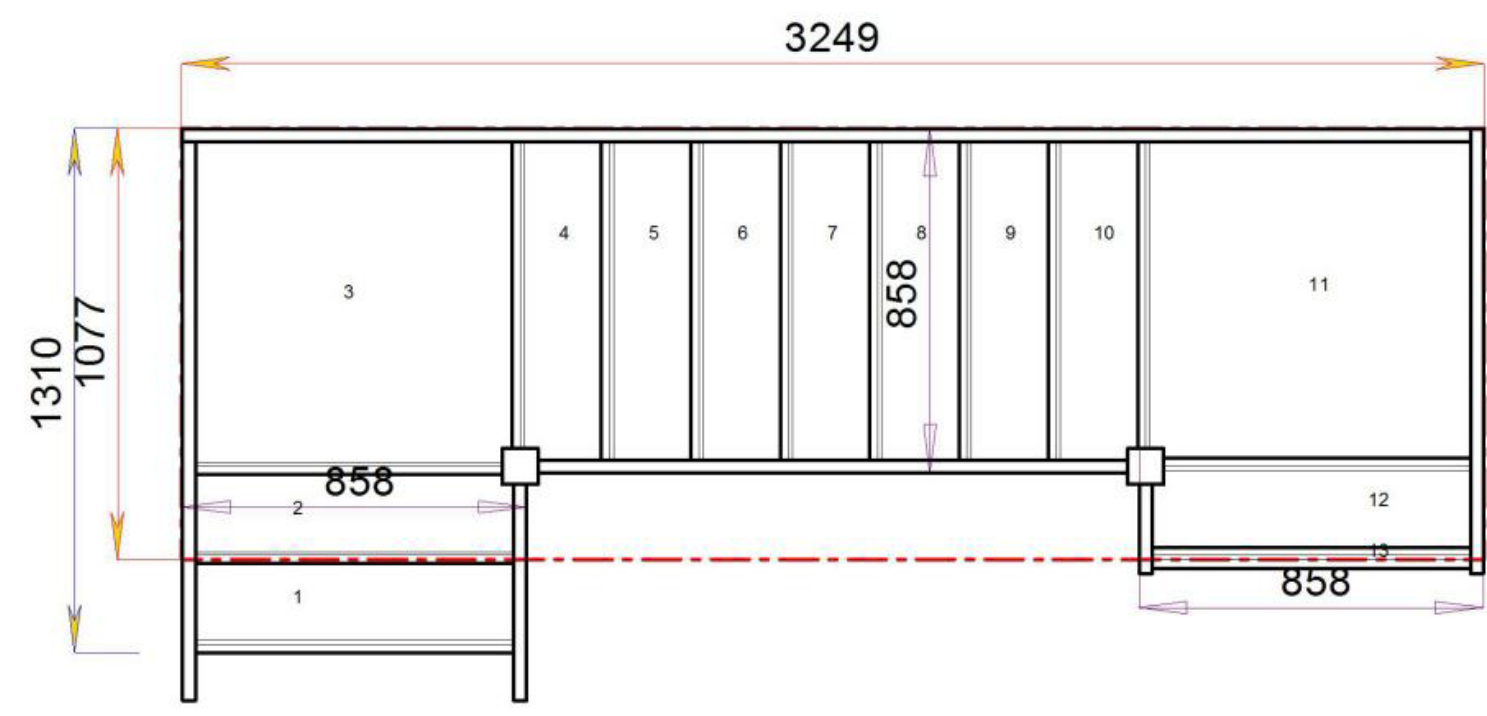
2600.000 mm





### Stair Layouts-D QL

### S2QL7QL1N-RH



Stair:S2QL7QL1N-RH



Floor to floor height

2600.000 mm

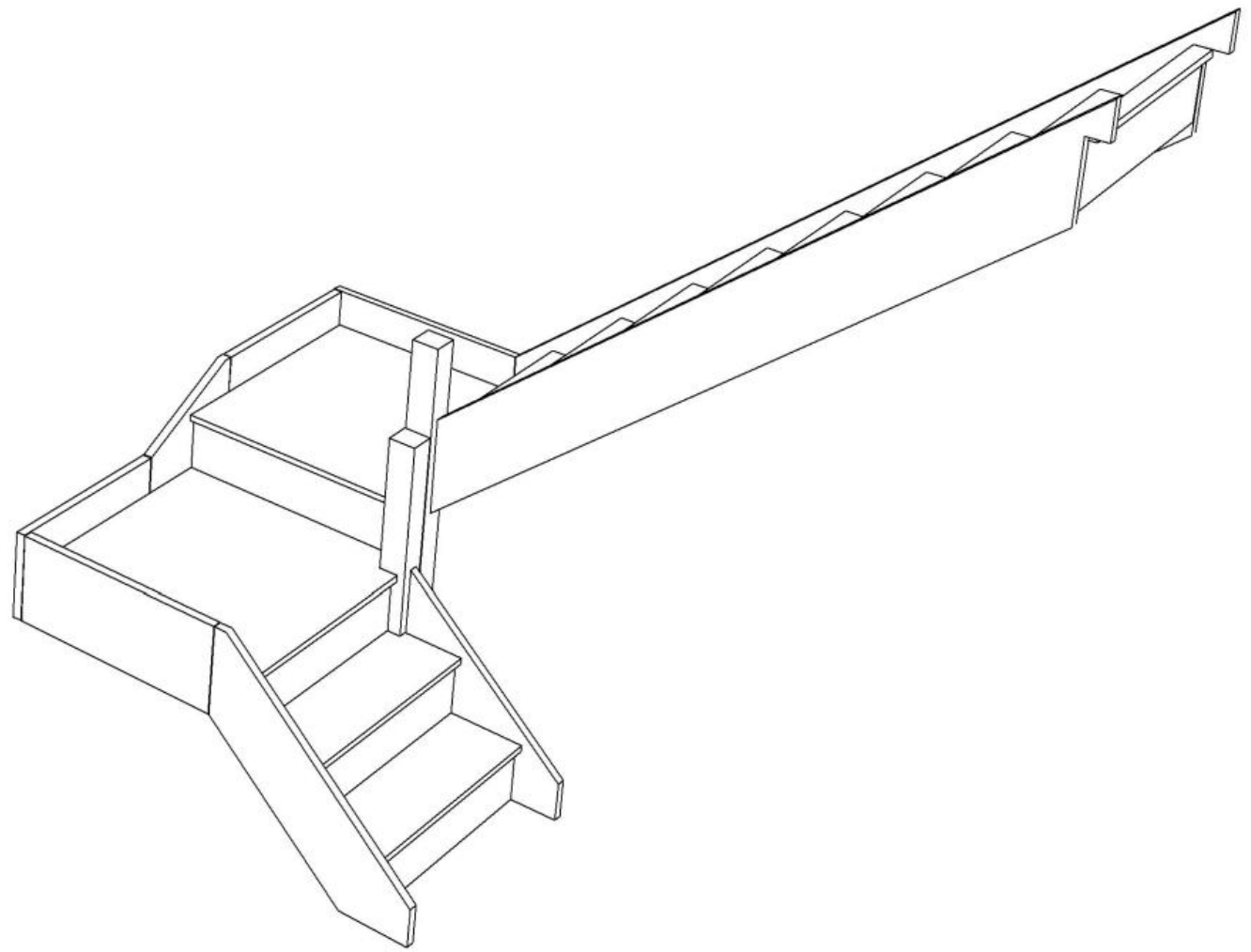




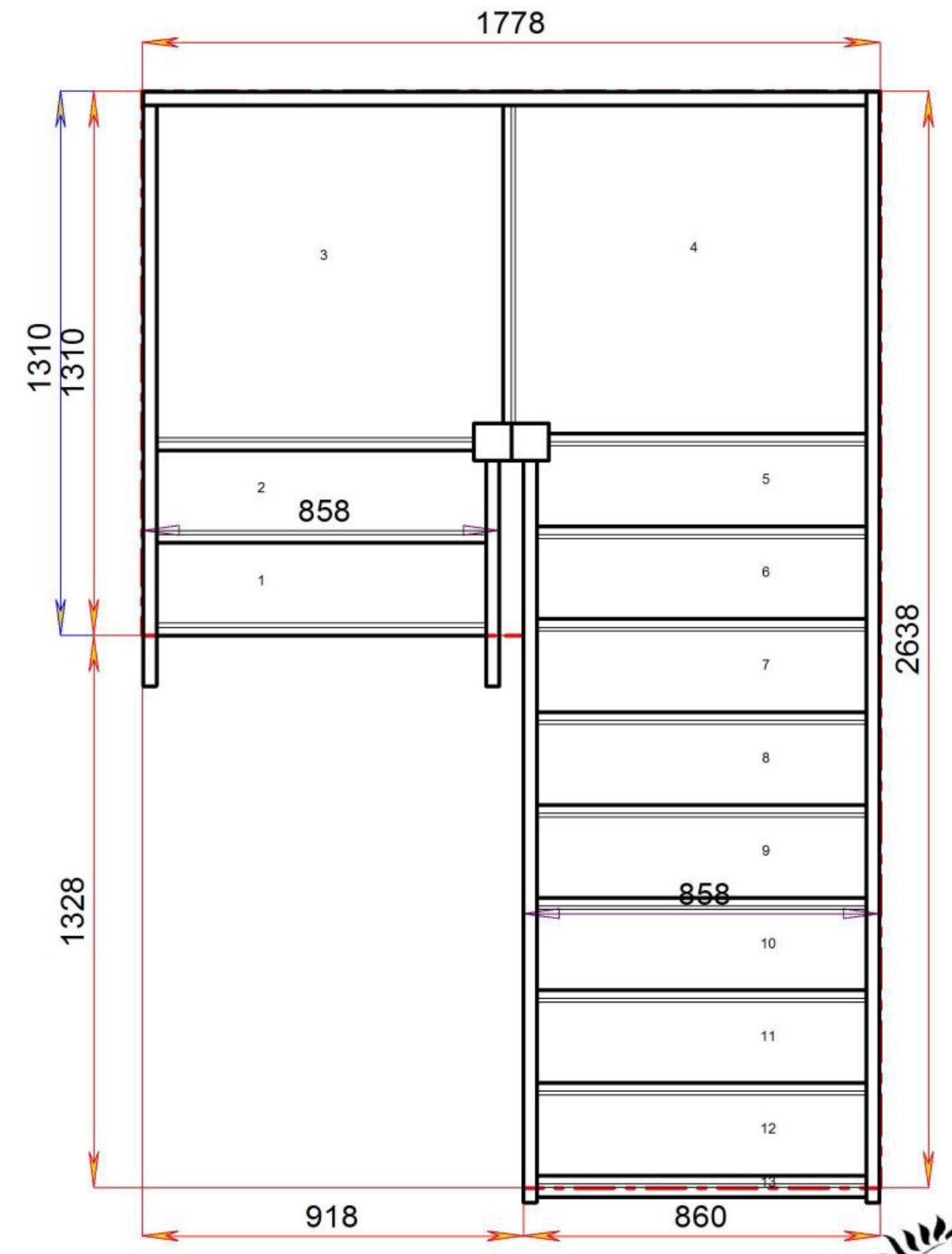


### Stair Layouts-D QL

### S2QLQL8N-RH



Stair:S2QLQL8N-RH



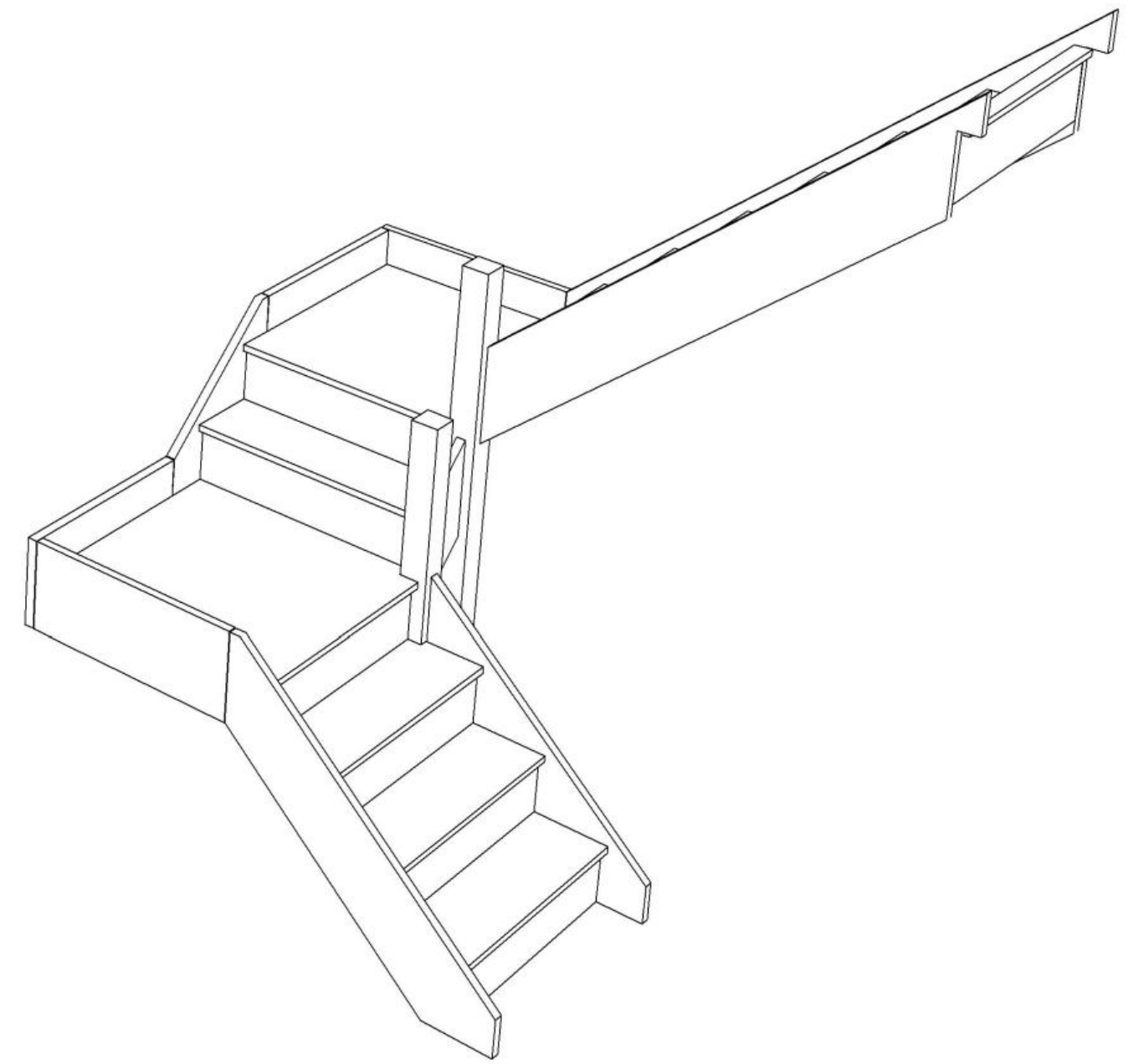
Floor to floor height

2600.000 mm

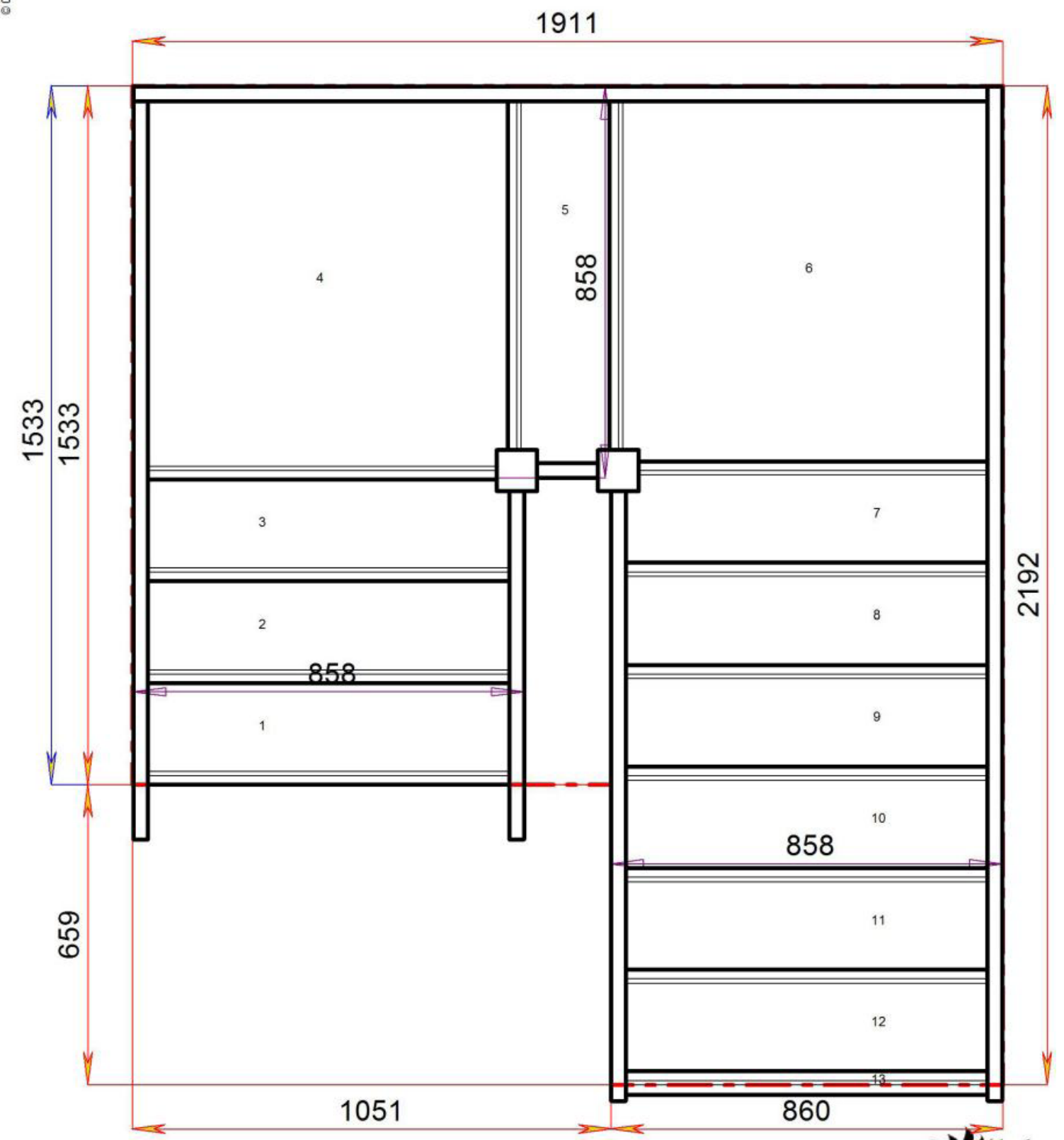


### Stair Layouts-D QL

### S3QL1QL6N-RH



Stair:S3QL1QL6N-RH

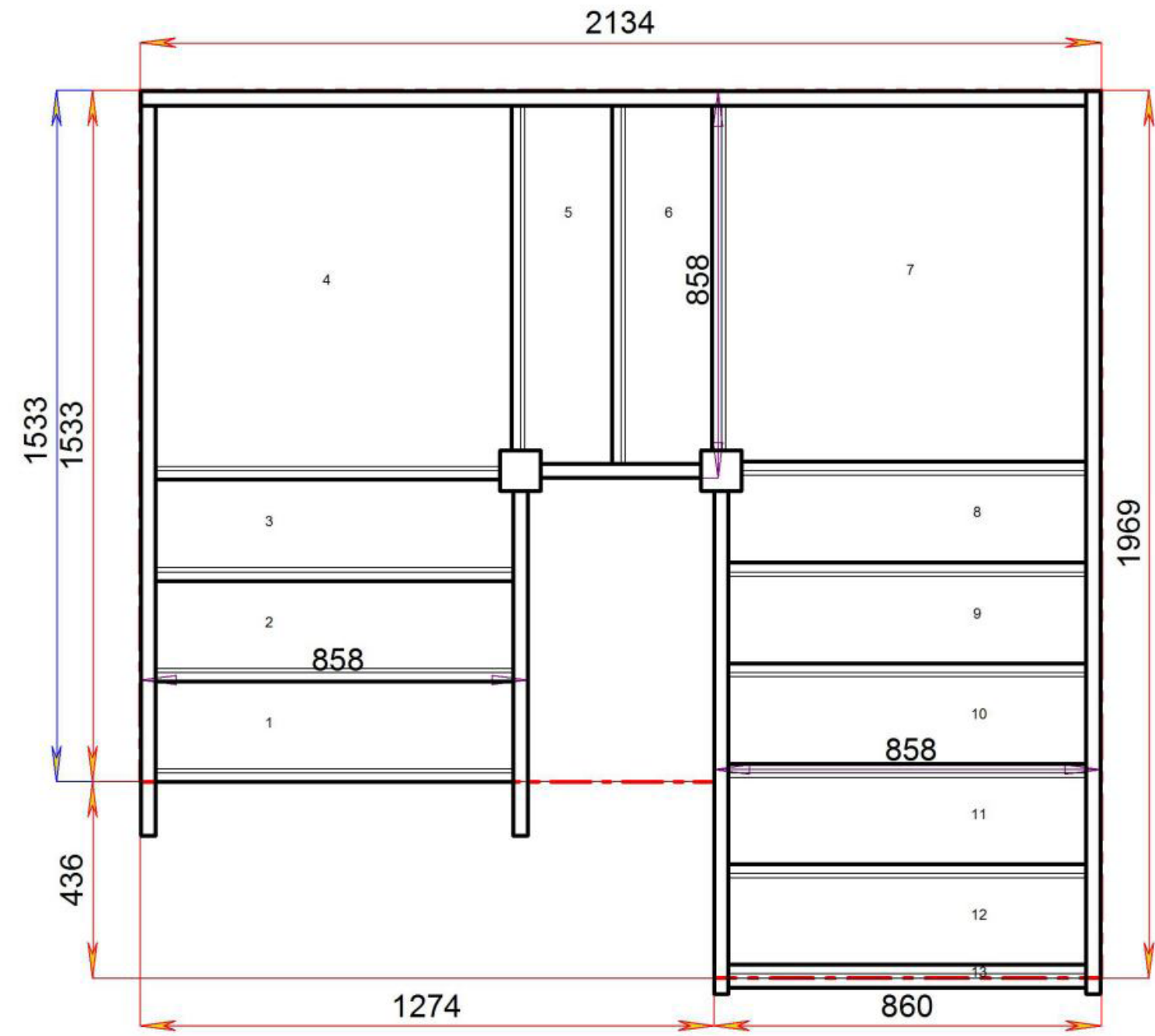
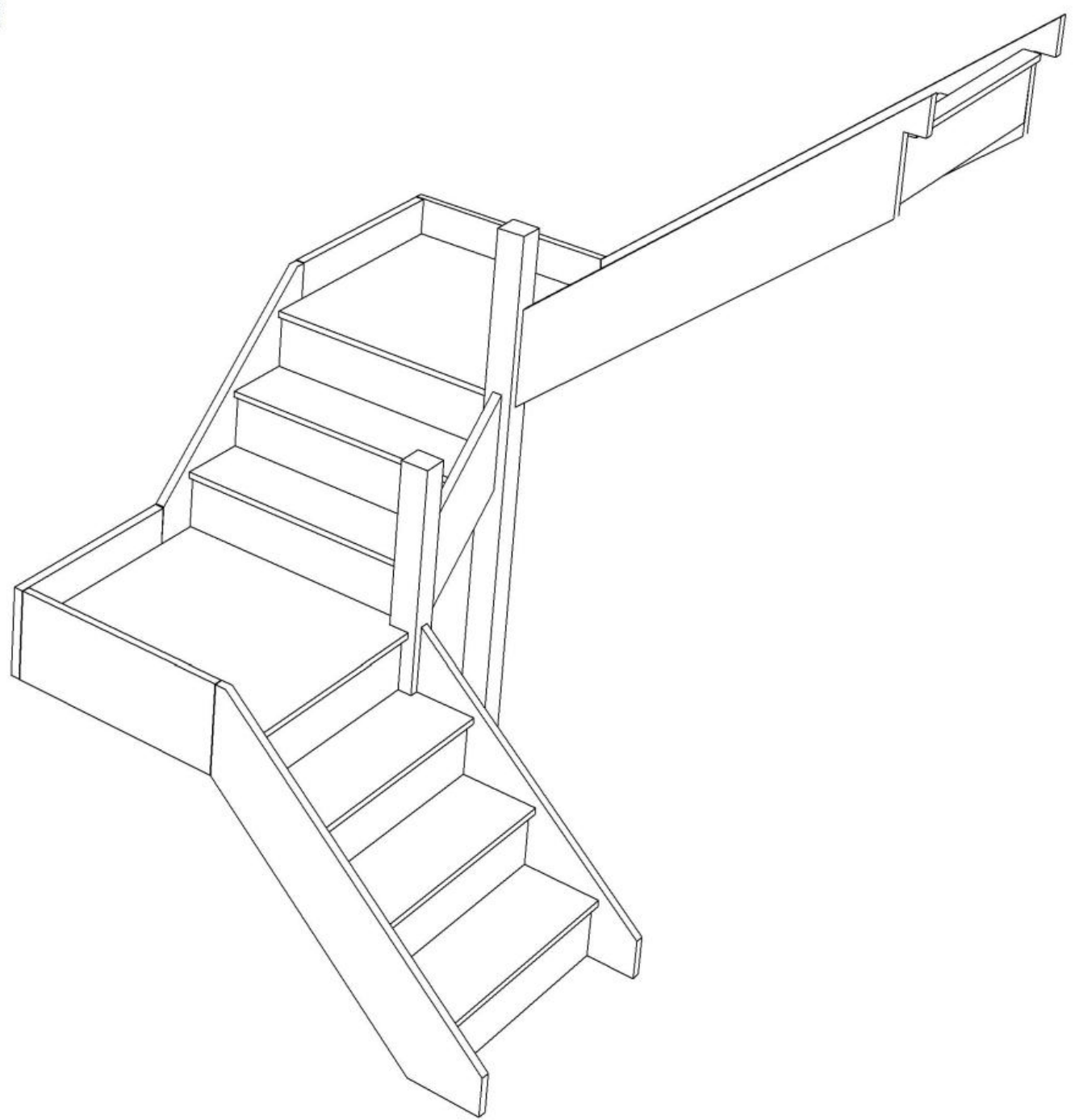


Floor to floor height 2600.000 mm



### Stair Layouts-D QL

### S3QL2QL5N-RH



Stair:S3QL2QL5N-RH



Floor to floor height

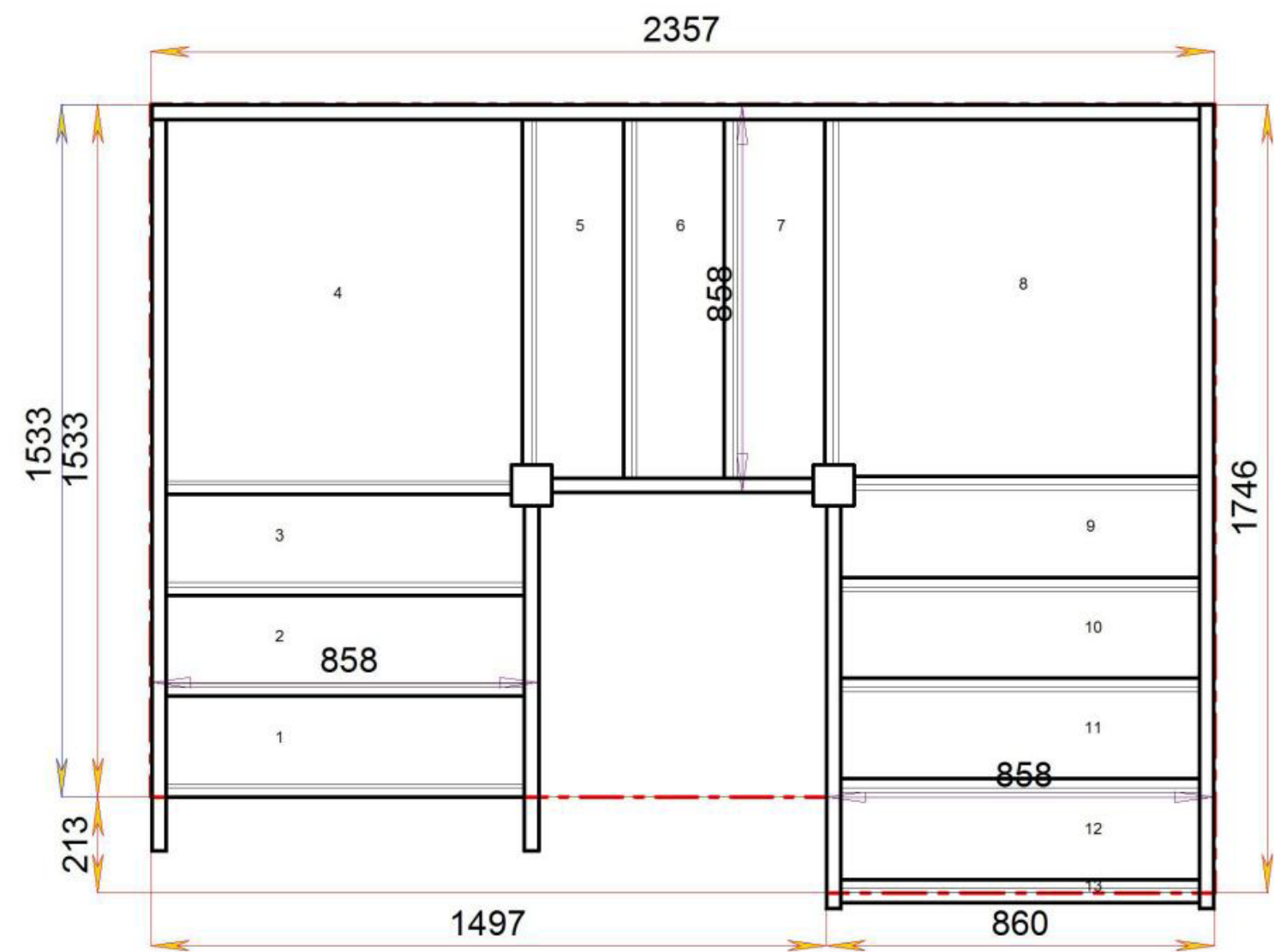
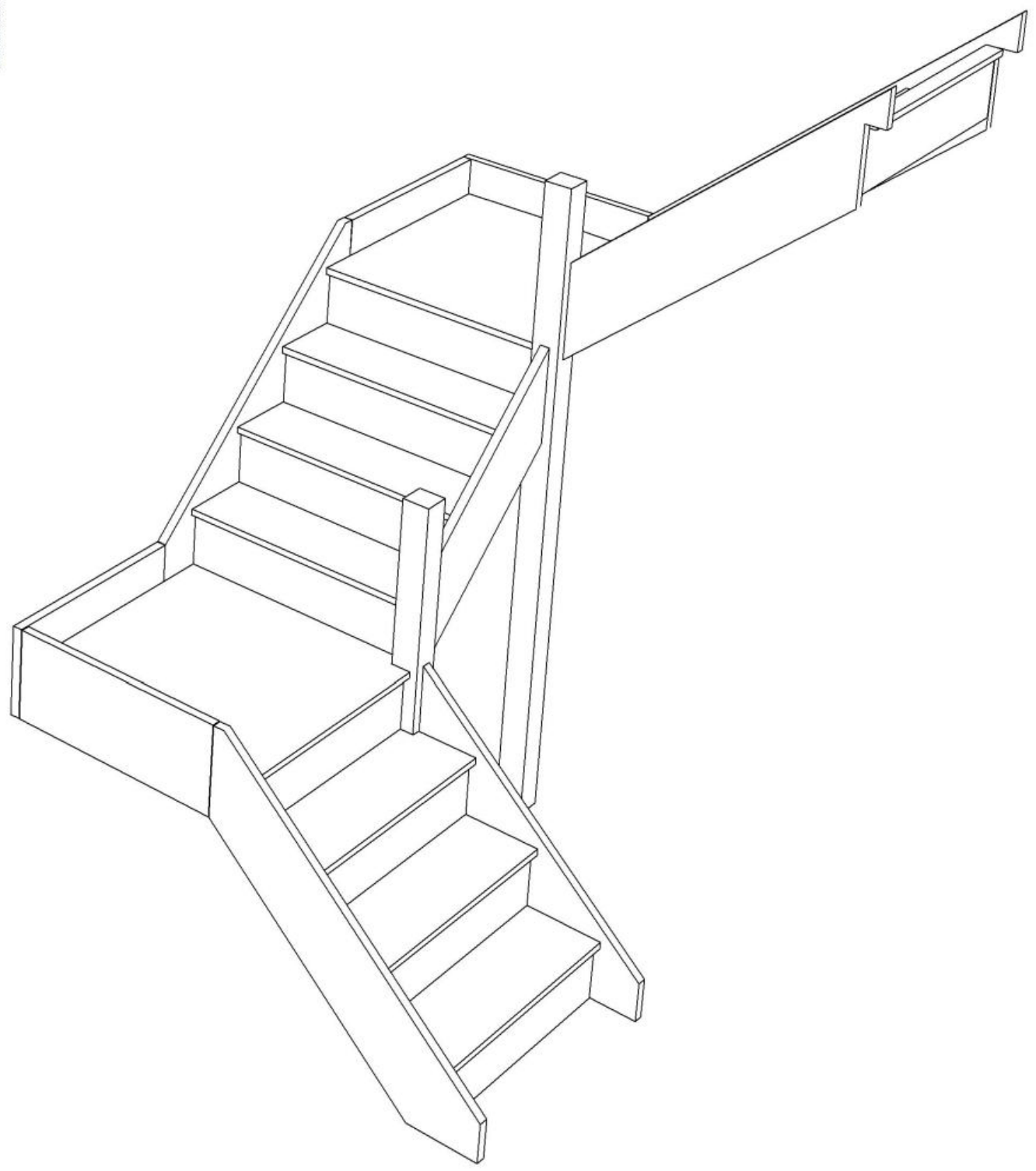
2600.000 mm





### Stair Layouts-D QL

### S3QL3QL4N-RH



Stair:S3QL3QL4N-RH



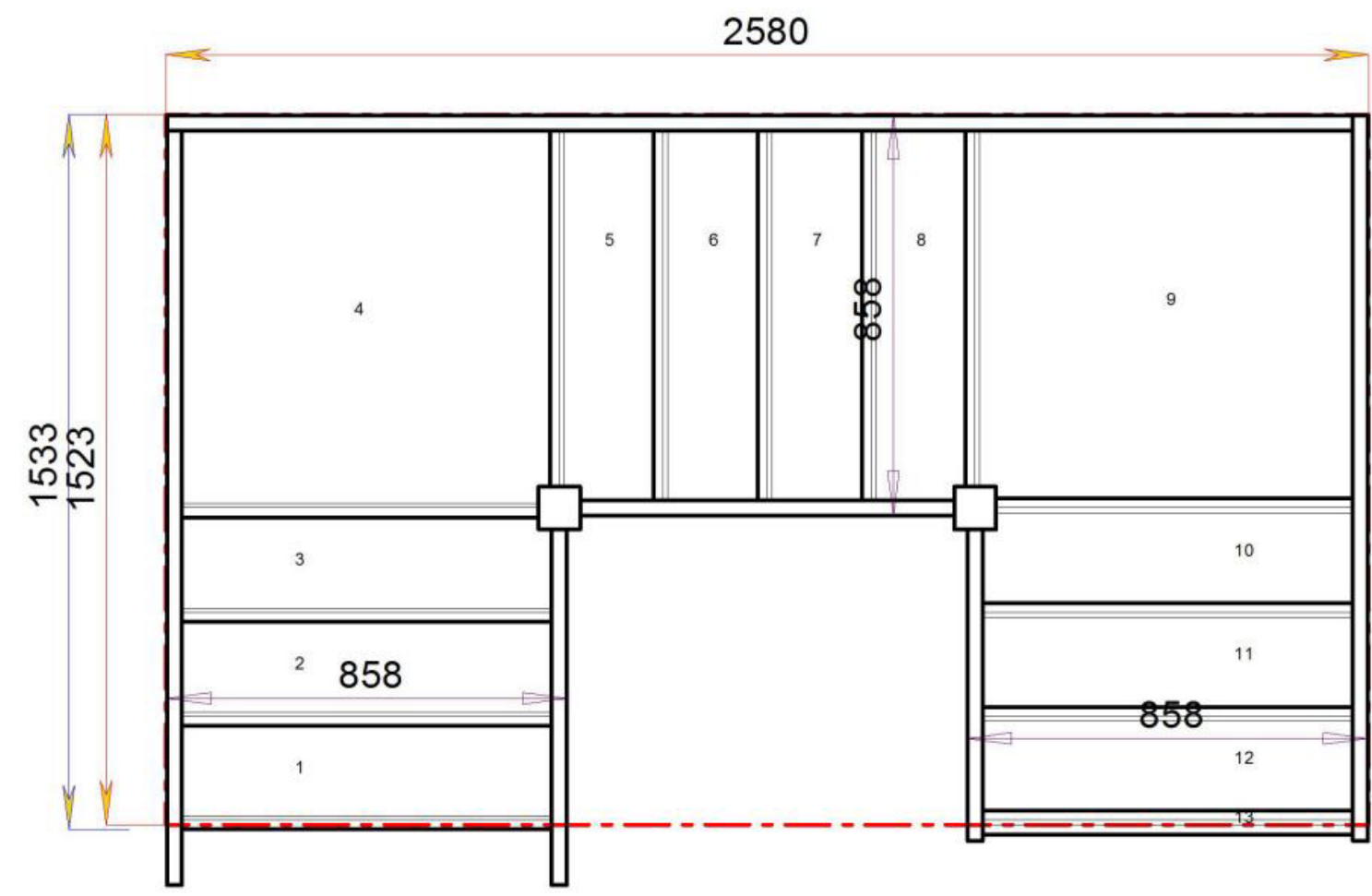
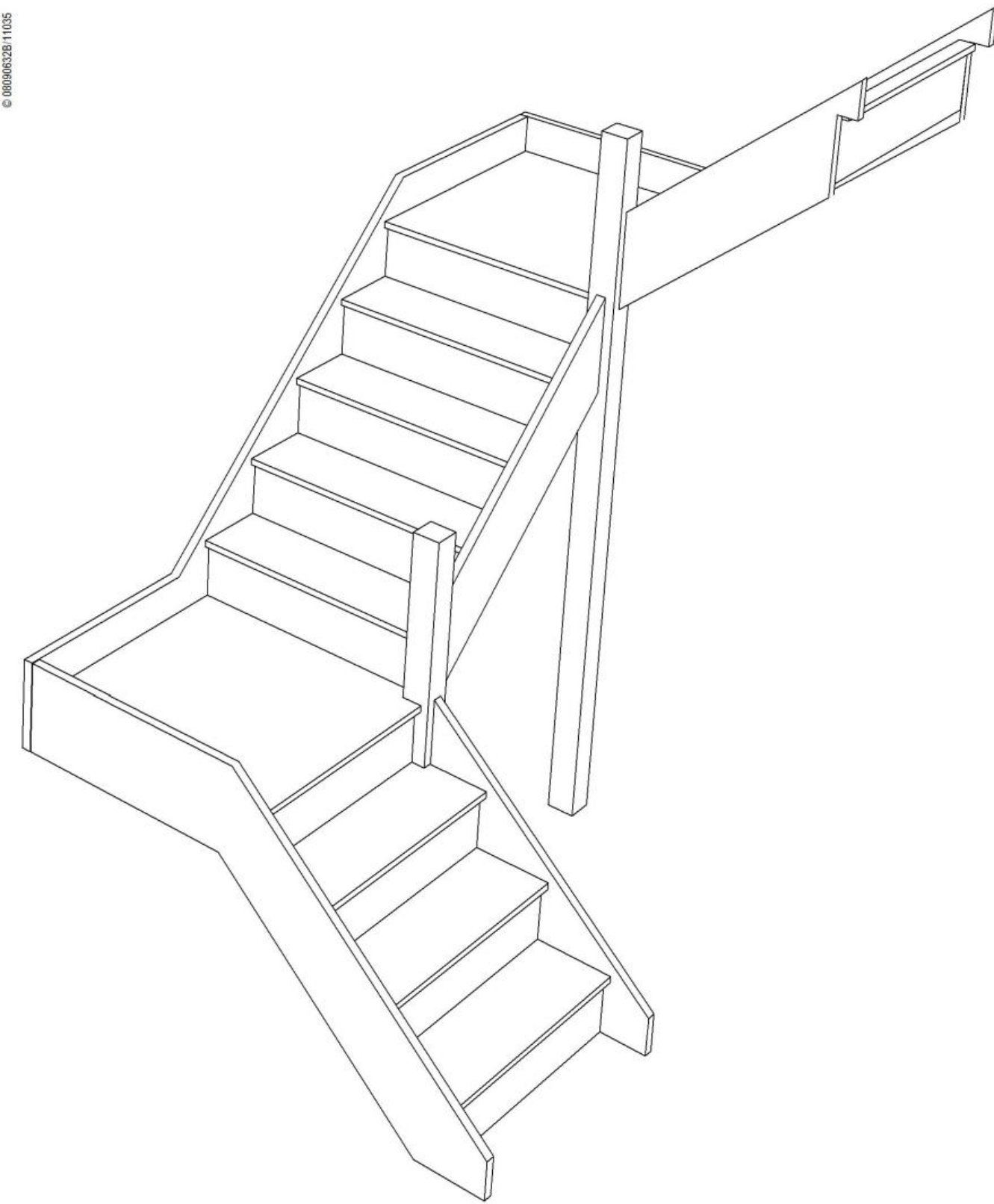
Floor to floor height

2600.000 mm



### Stair Layouts-D QL

### S3QL4QL3N-RH



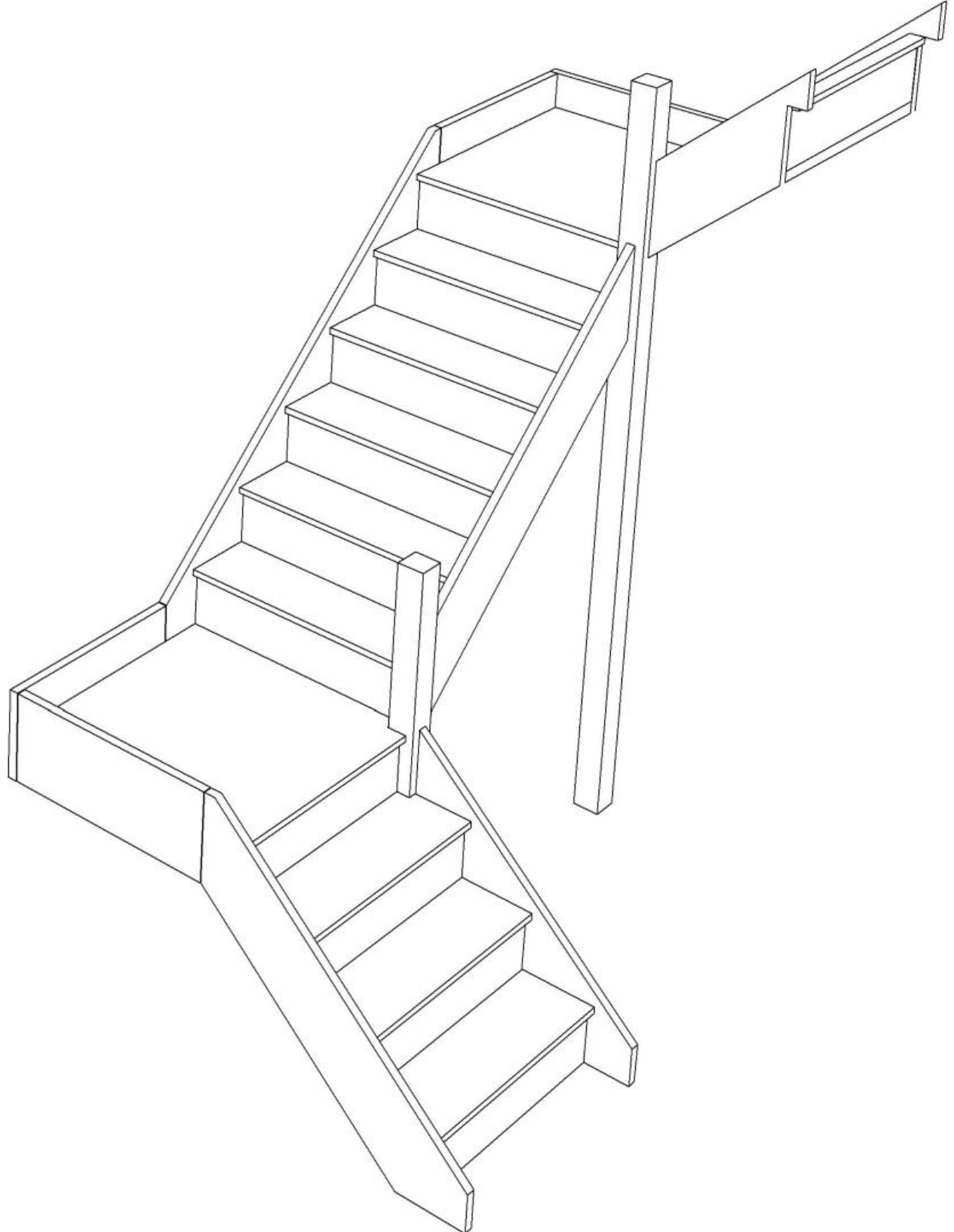
Stair:S3QL4QL3N-RH



Floor to floor height

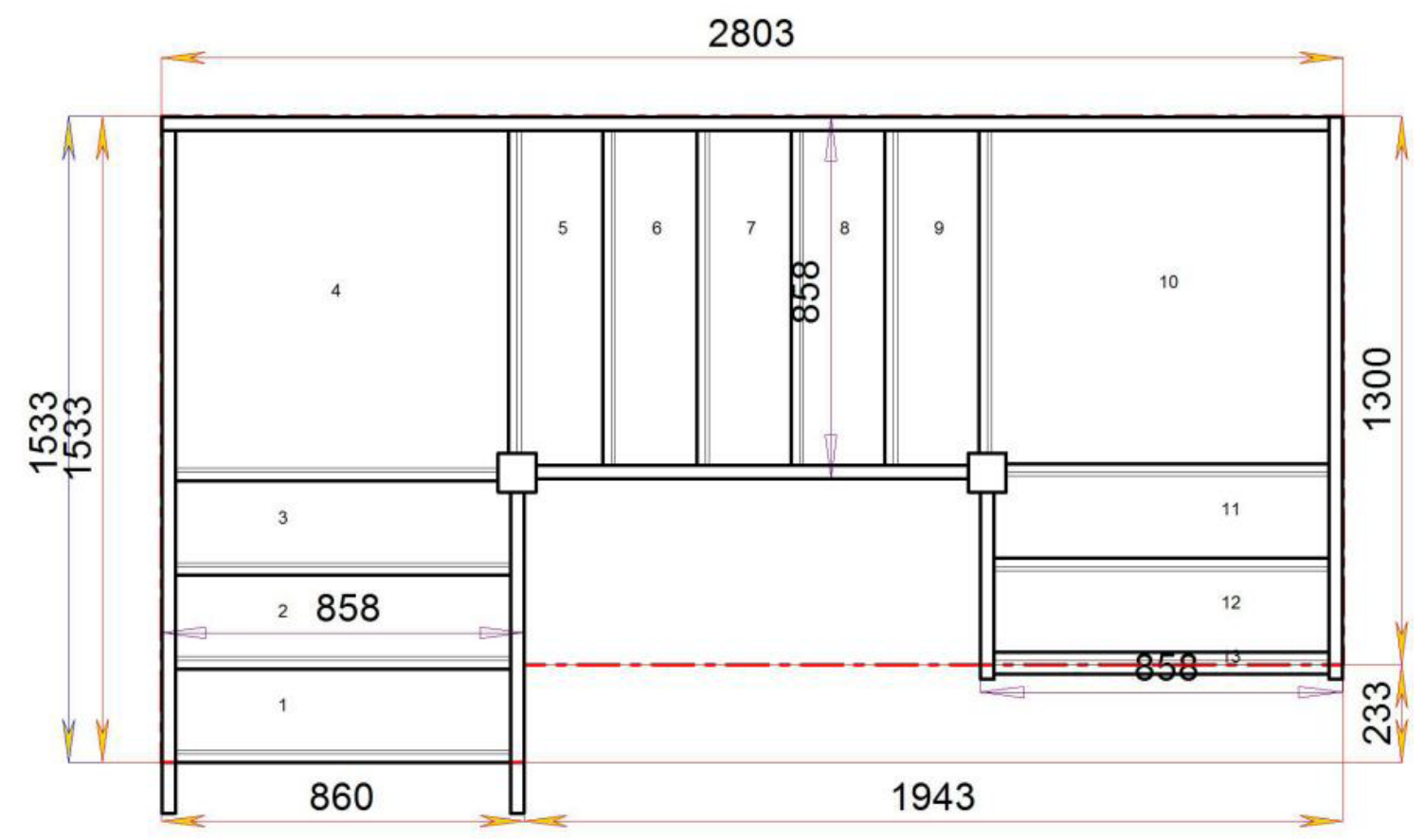
2600.000 mm





### Stair Layouts-D QL

### S3QL5QL2N-RH



Stair:S3QL5QL2N-RH

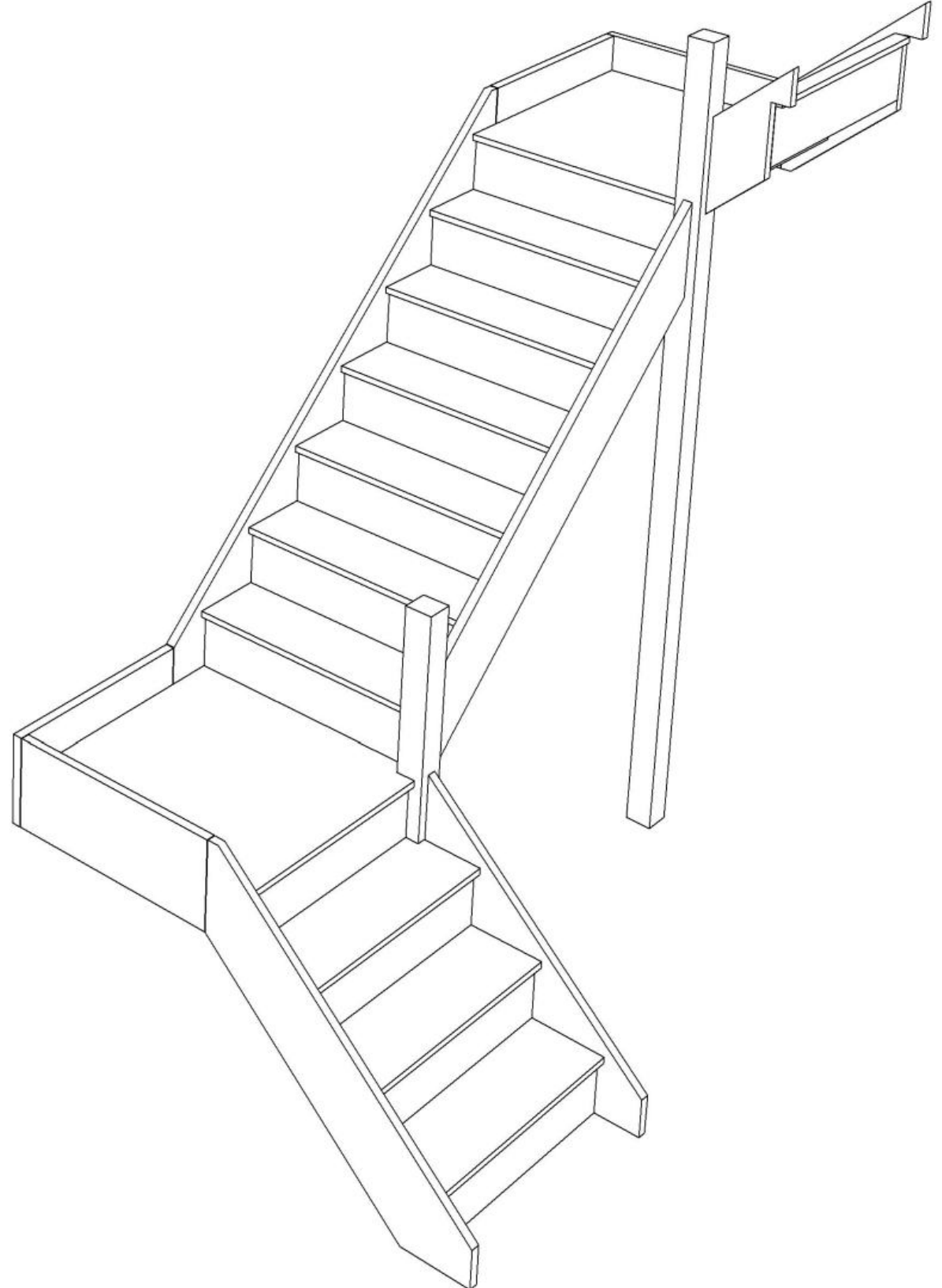


Floor to floor height

2600.000 mm

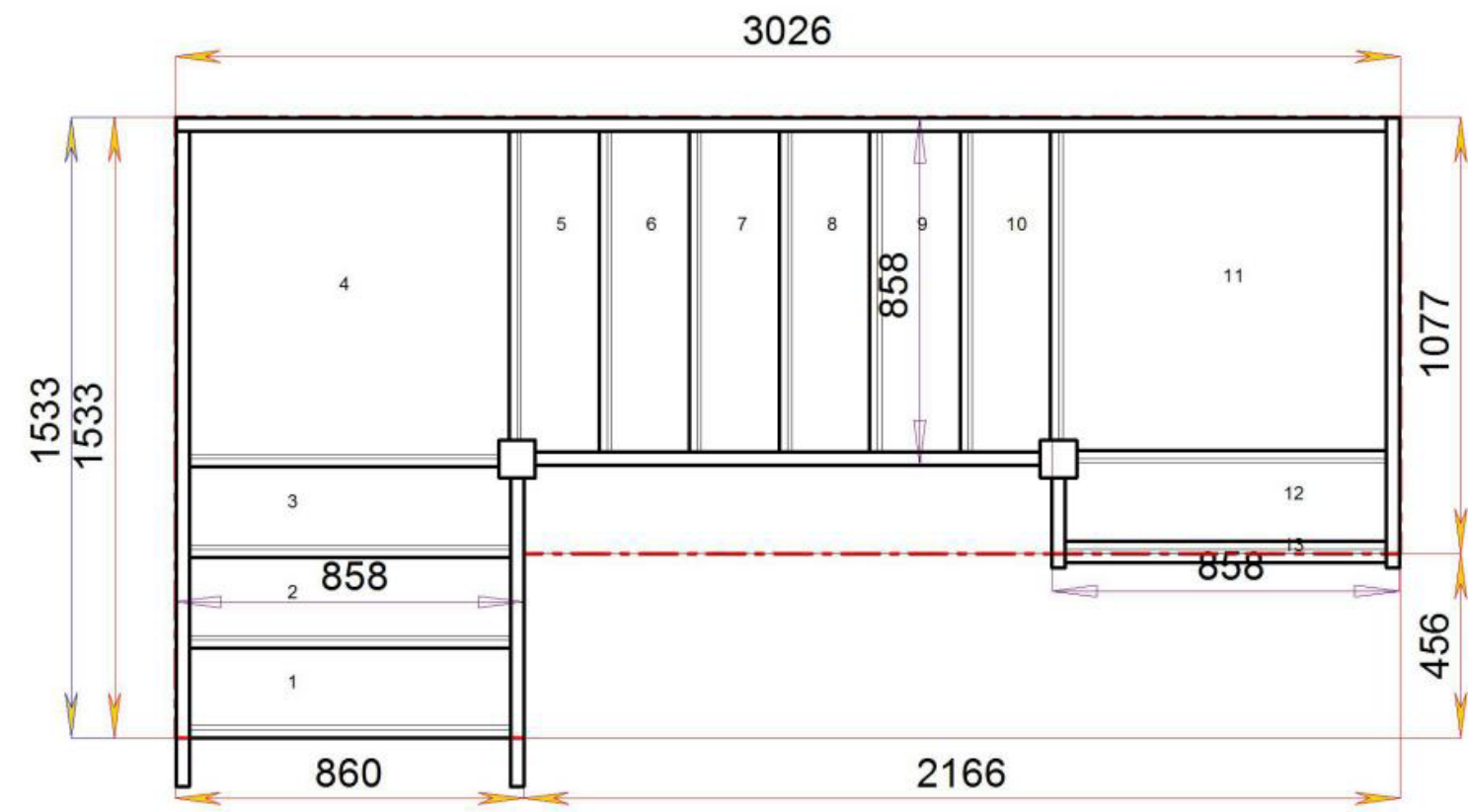






### Stair Layouts-D QL

### S3QL6QL1N-RH



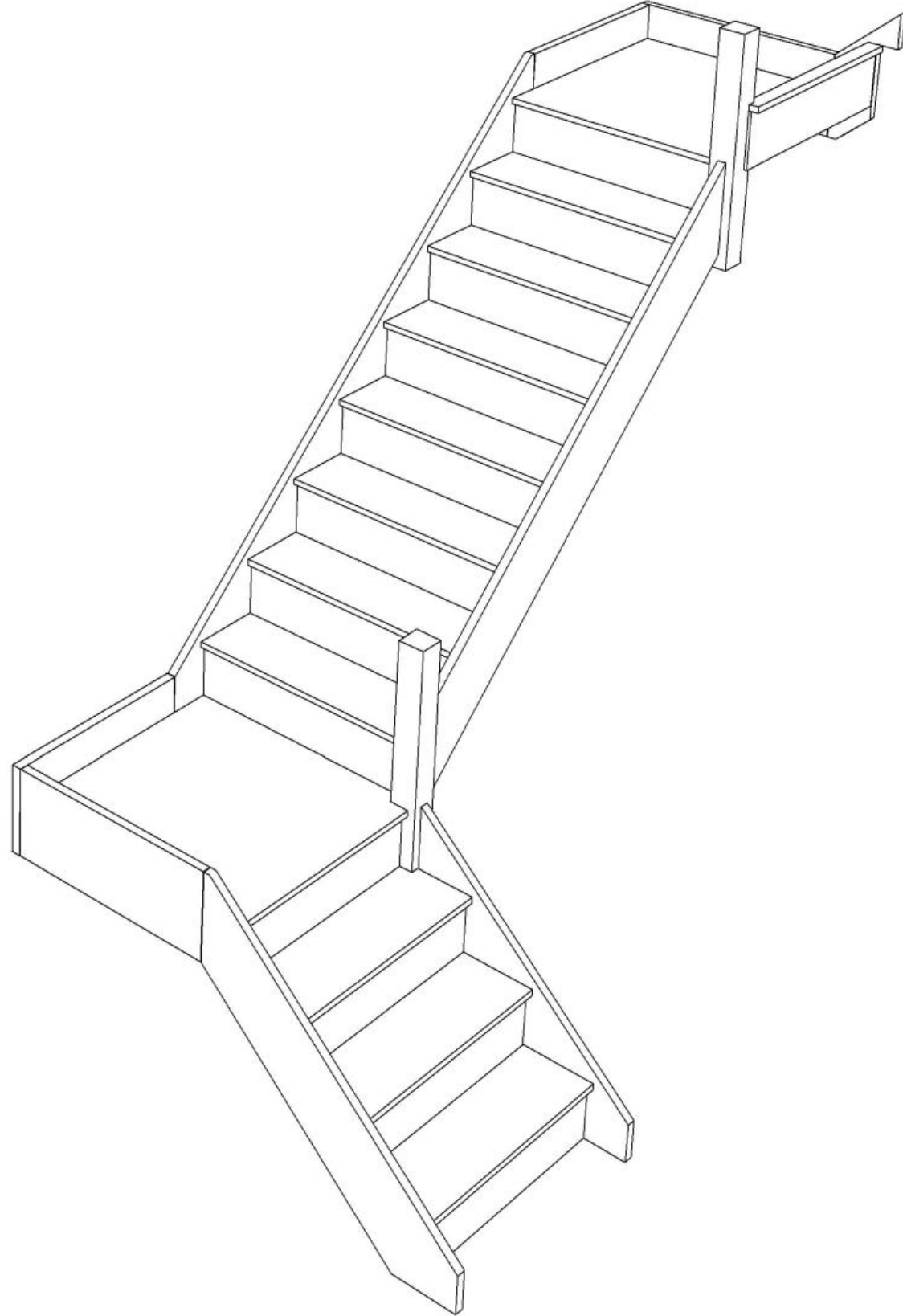
Stair:S3QL6QL1N-RH



Floor to floor height

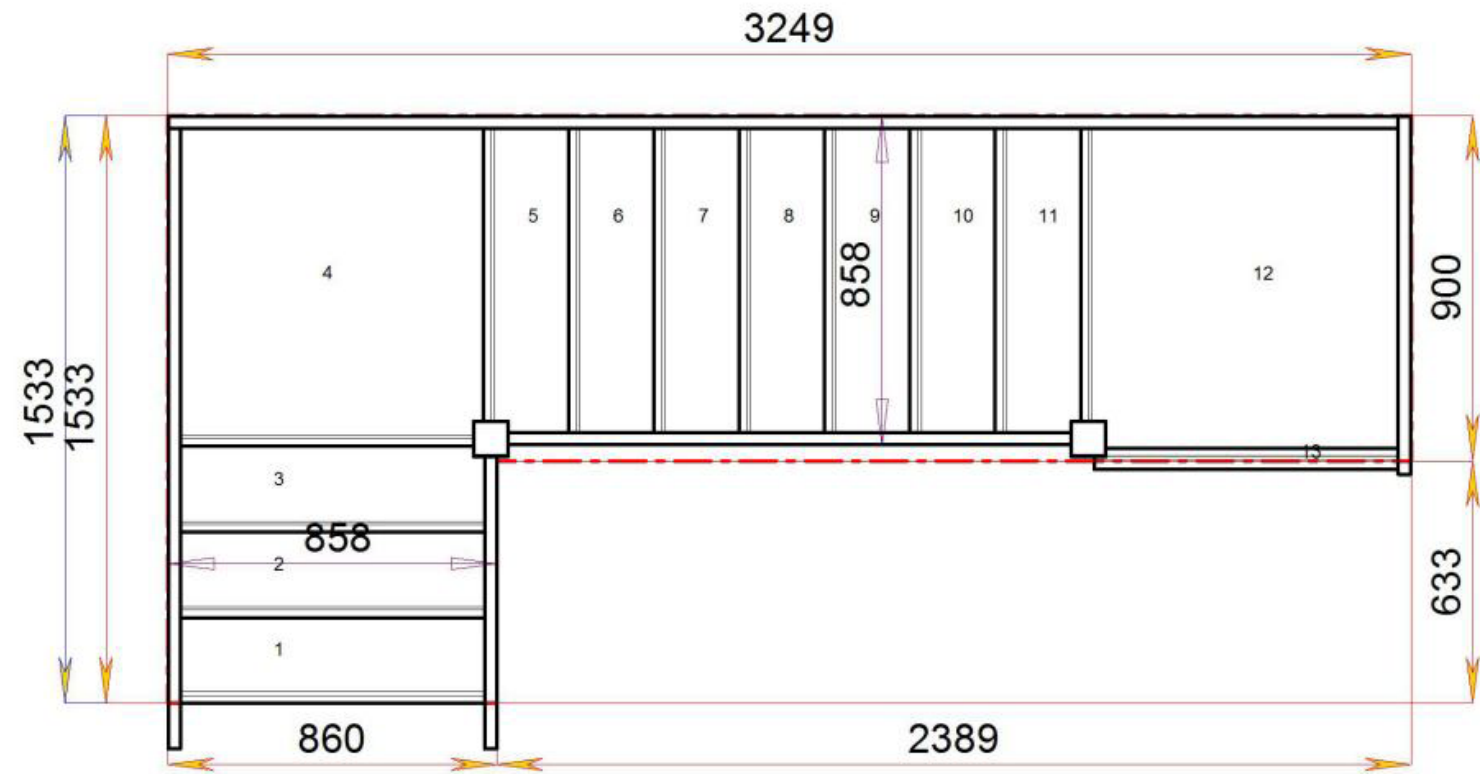
2600.000 mm





### Stair Layouts-D QL

### S3QL7QLN-RH



Stair:S3QL7QLN-RH



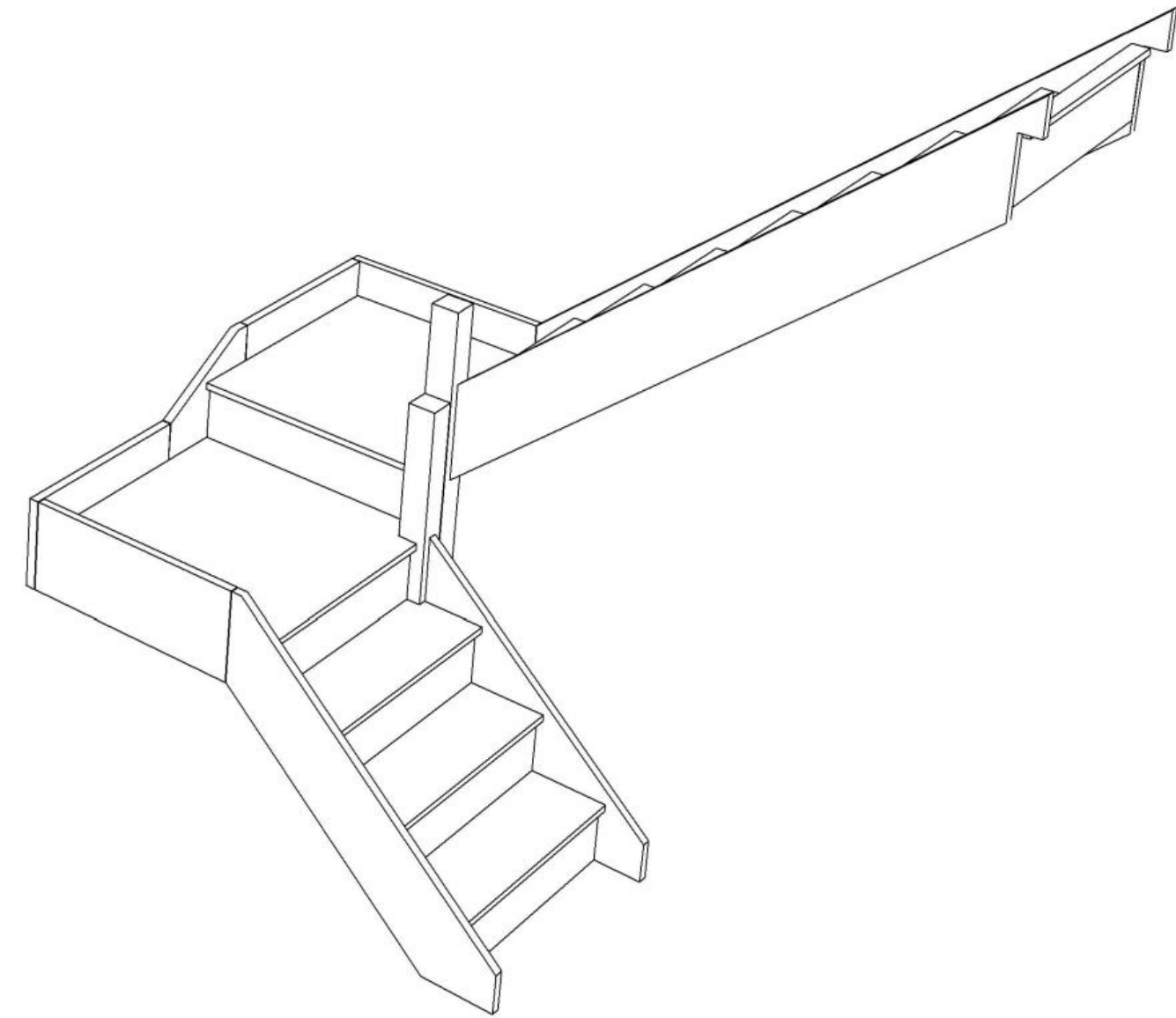
Floor to floor height

2600.000 mm

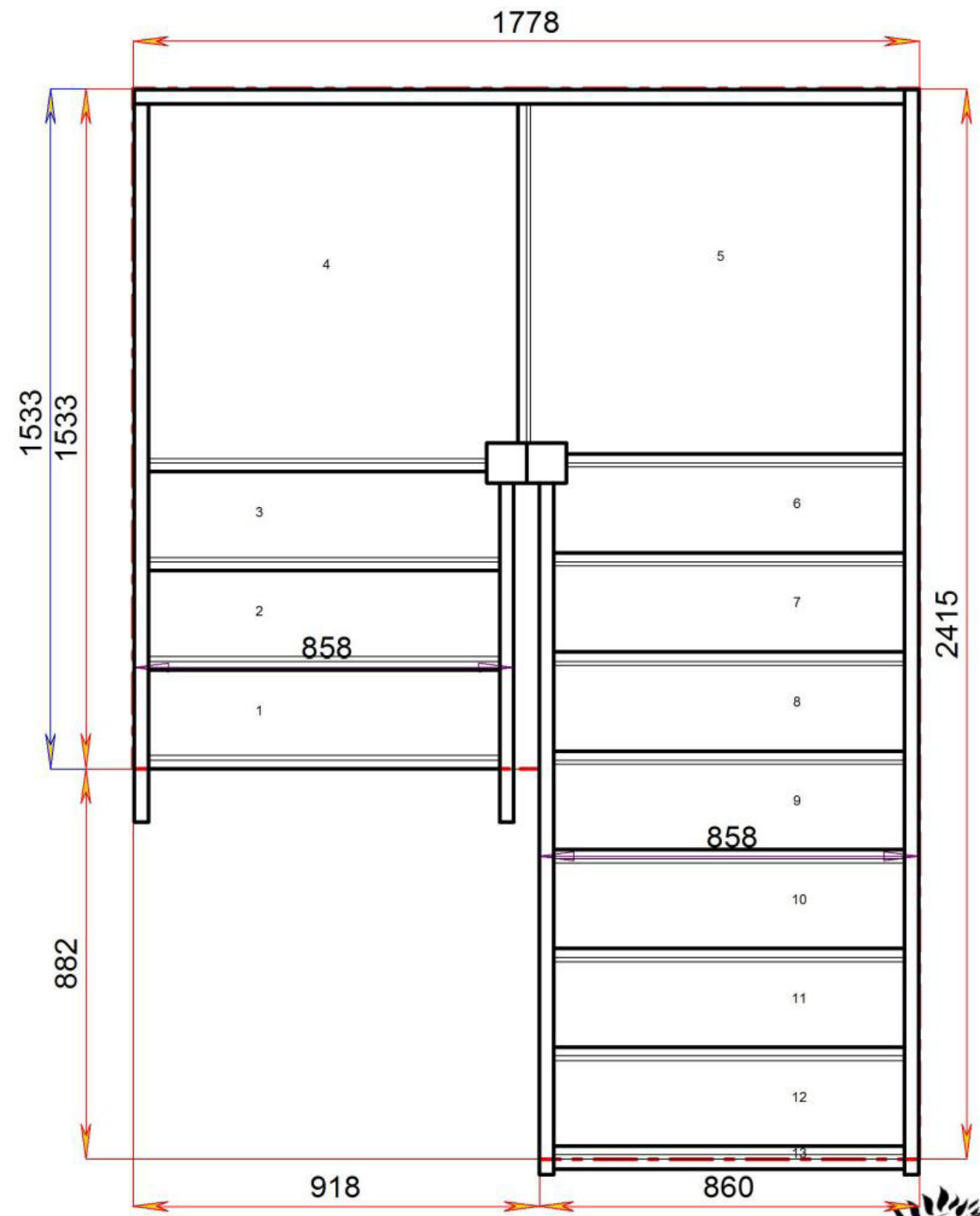


### Stair Layouts-D QL

### S3QLQL7N-RH



Stair:S3QLQL7N-RH



Floor to floor height

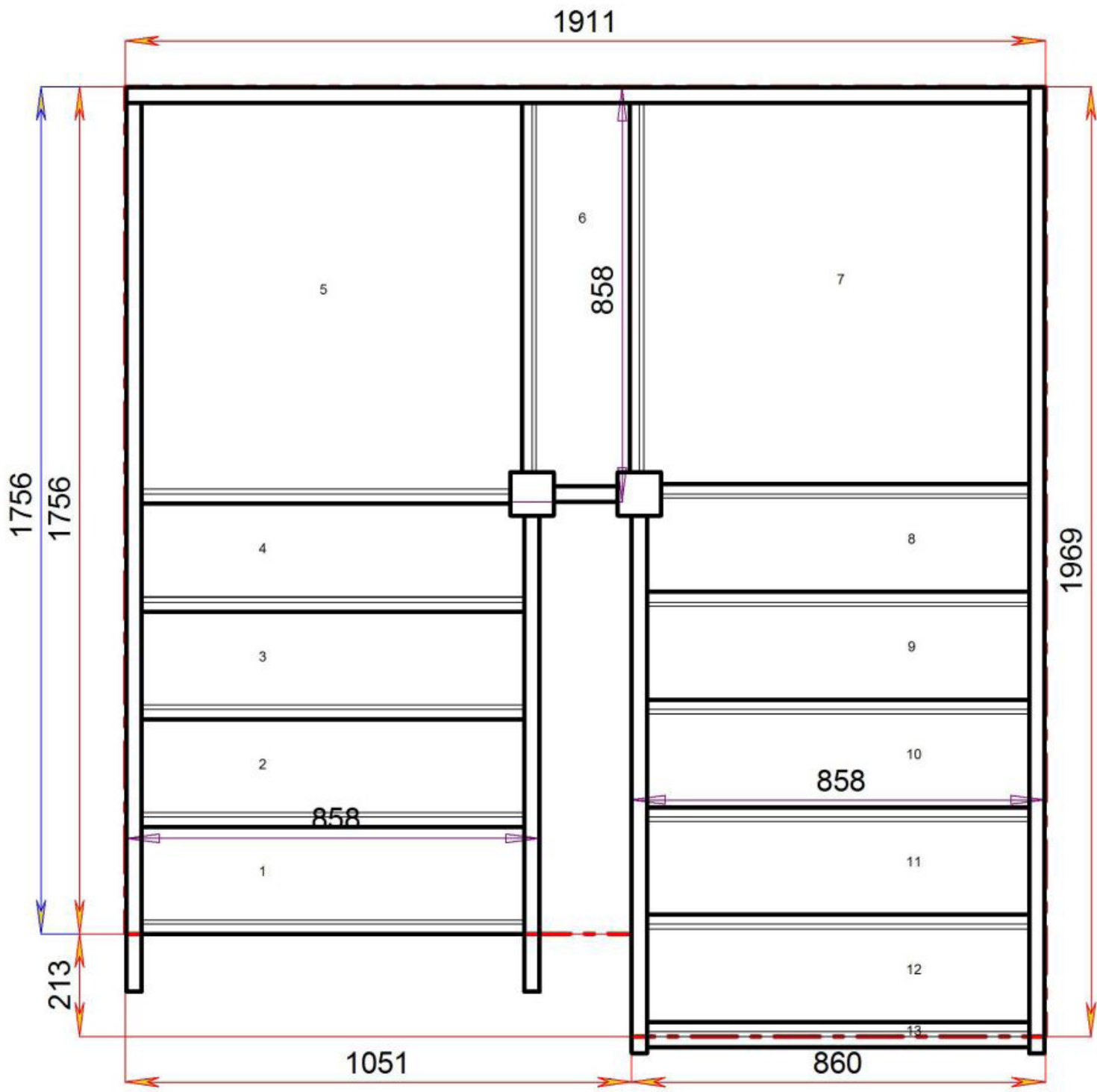
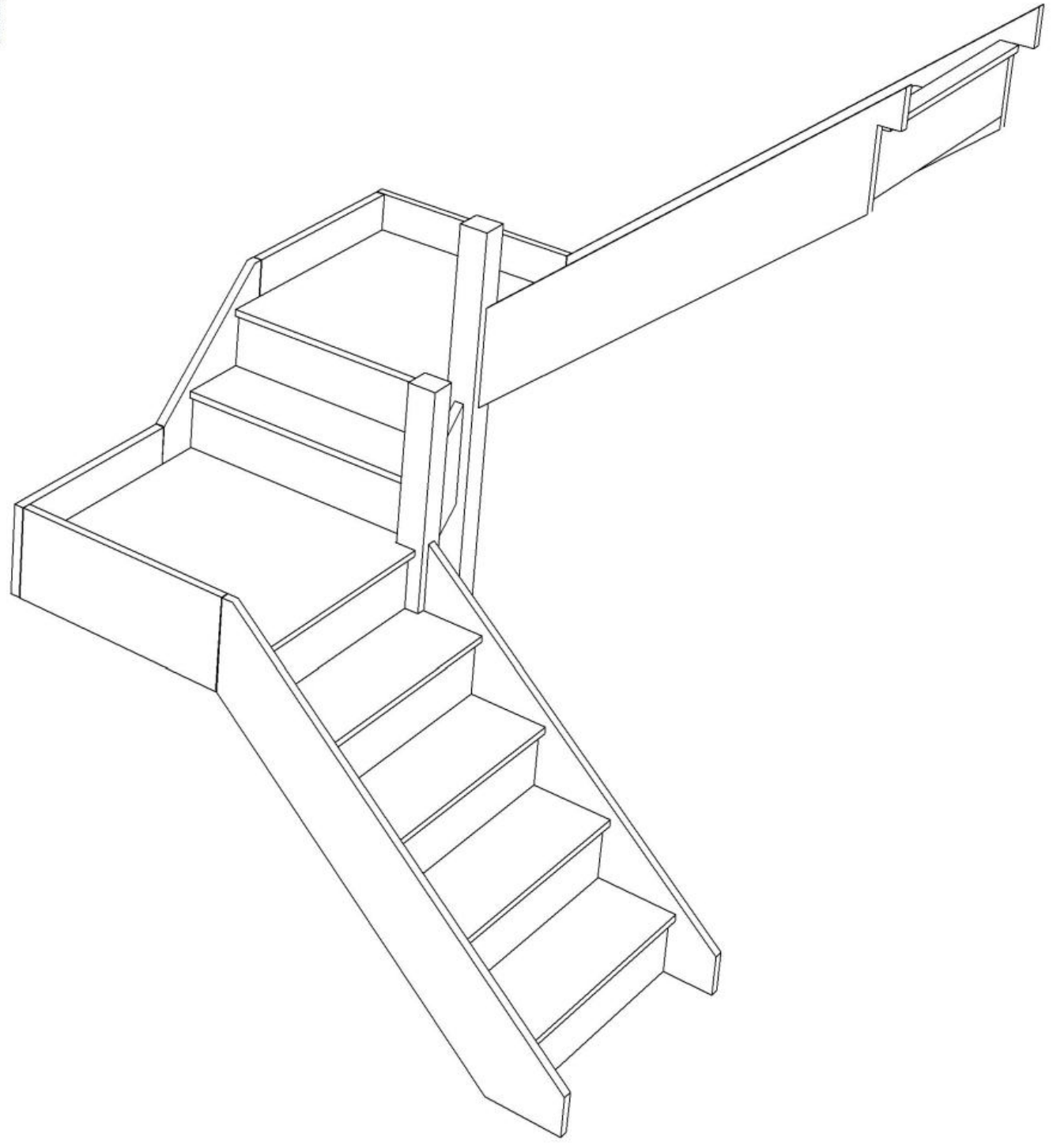
2600.000 mm





### Stair Layouts-D QL

### S4QL1QL5N-RH



Stair:S4QL1QL5N-RH

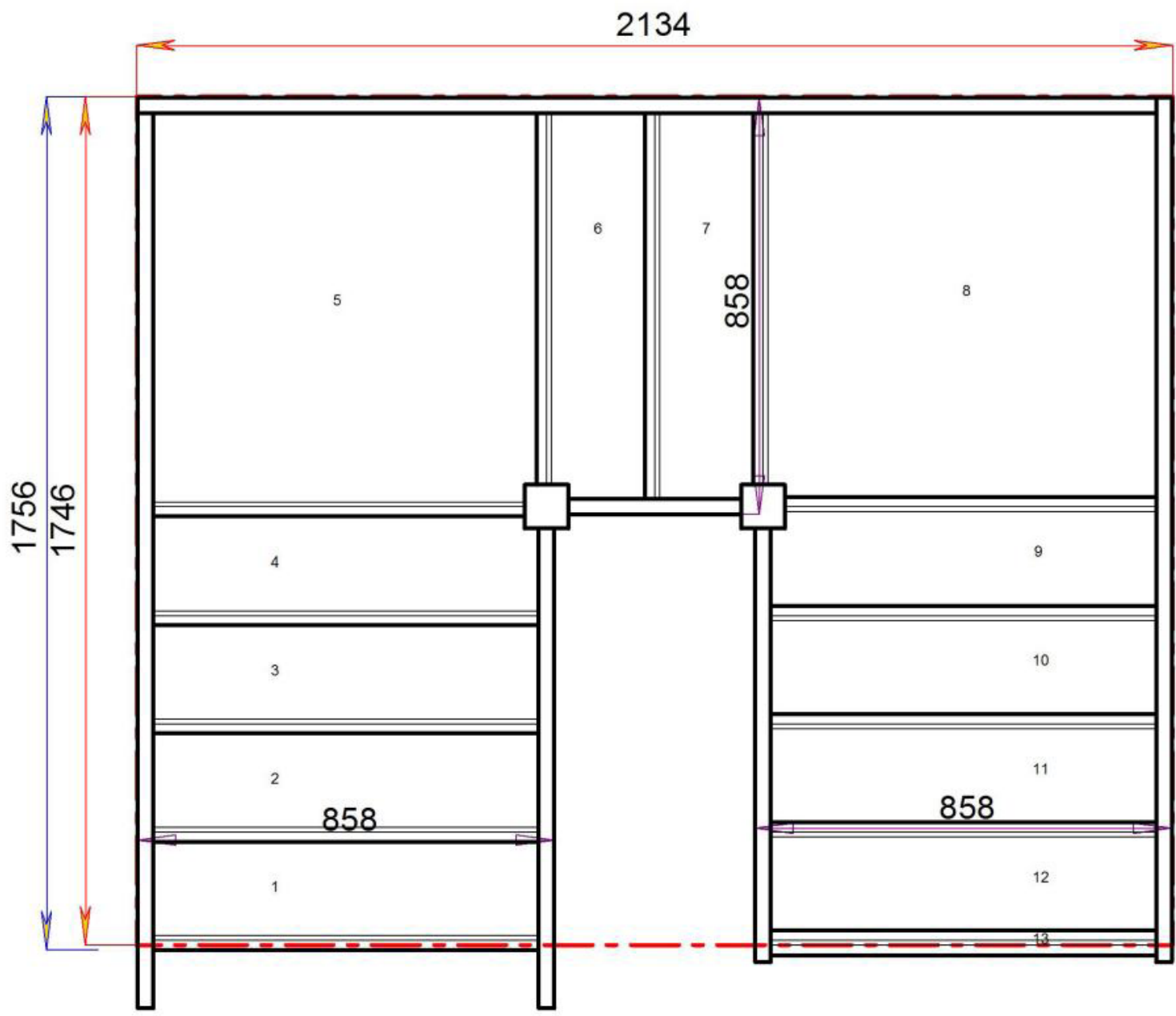
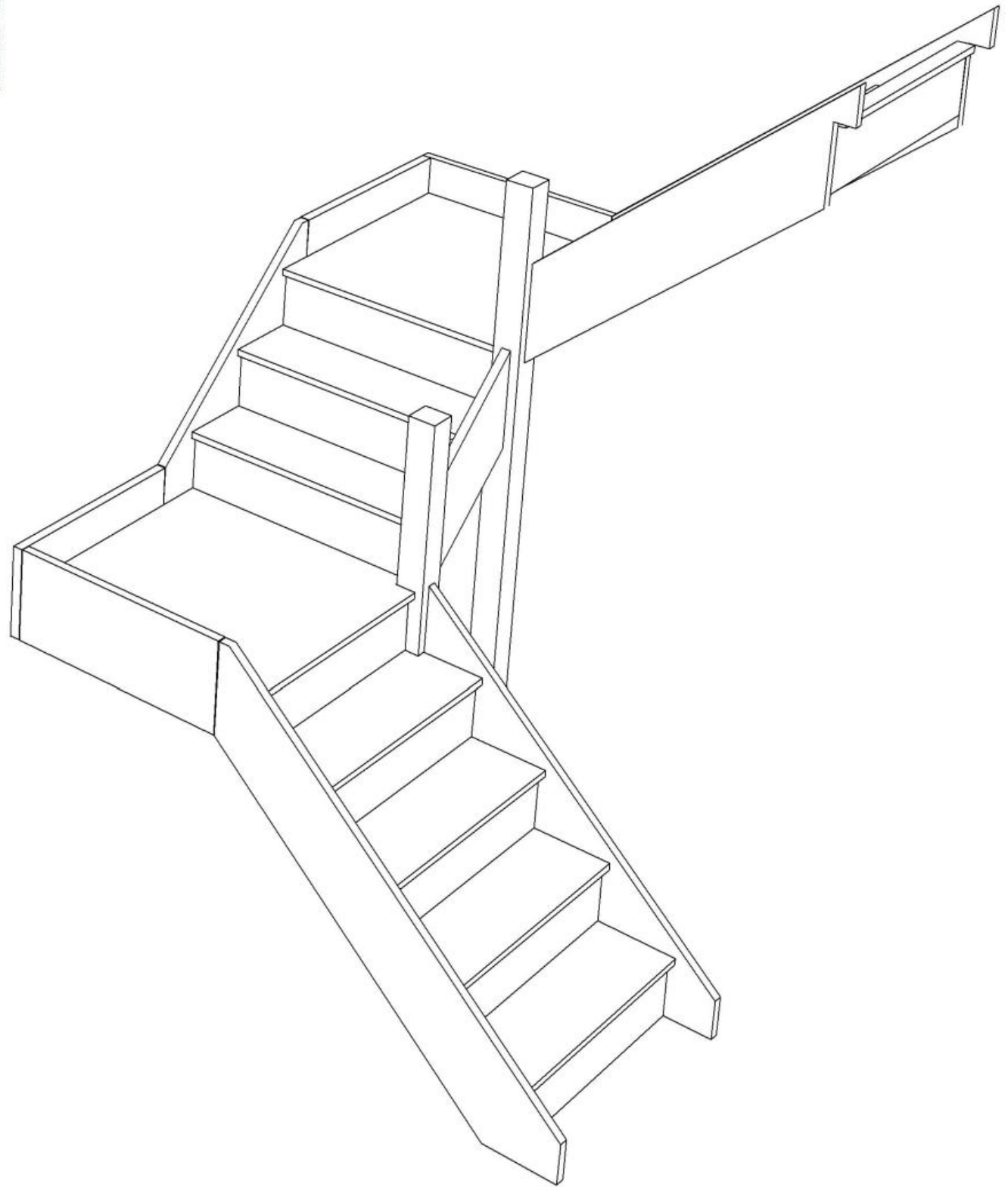


Floor to floor height 2600.000 mm



### Stair Layouts-D QL

### S4QL2QL4N-RH



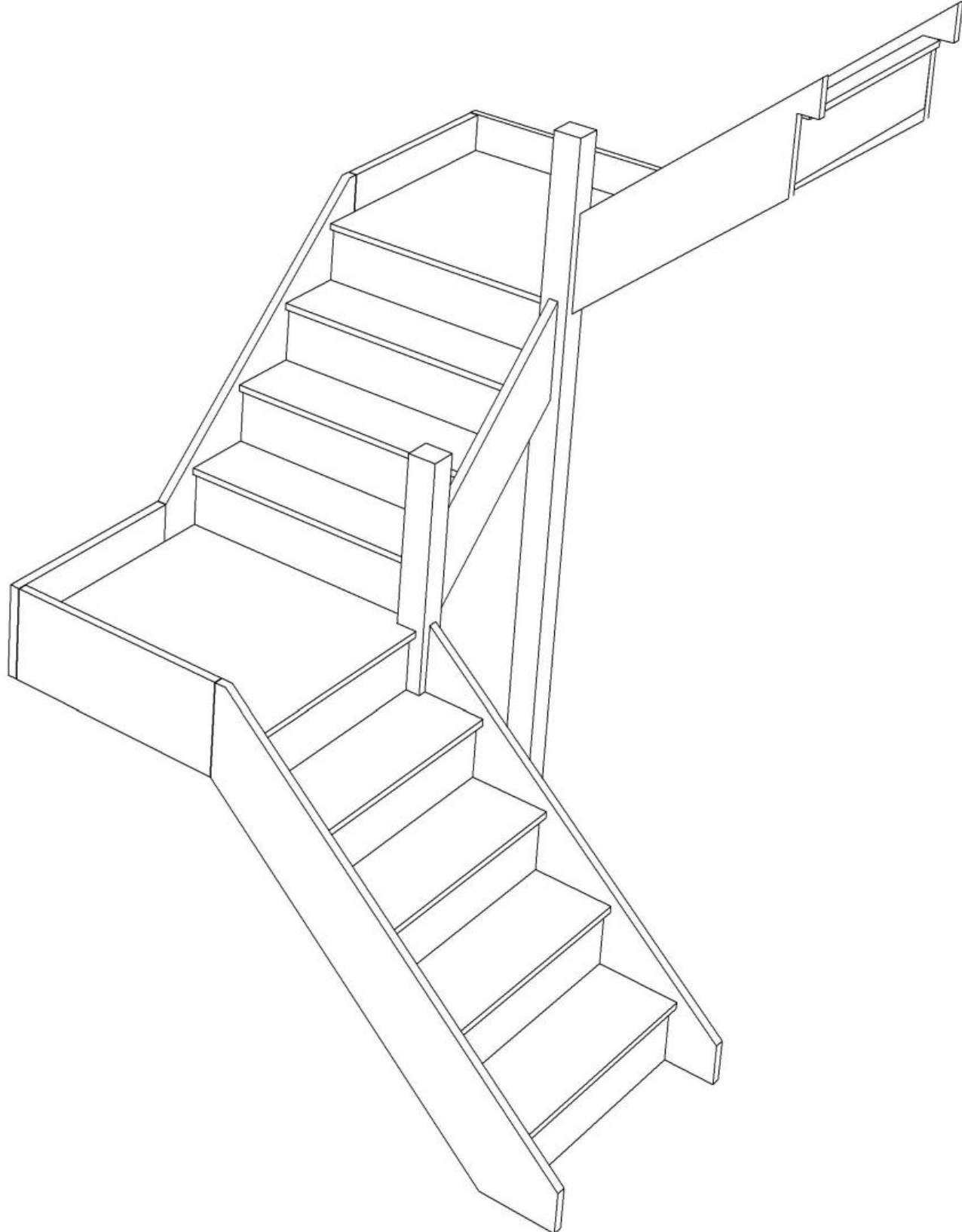
Stair:S4QL2QL4N-RH



Floor to floor height

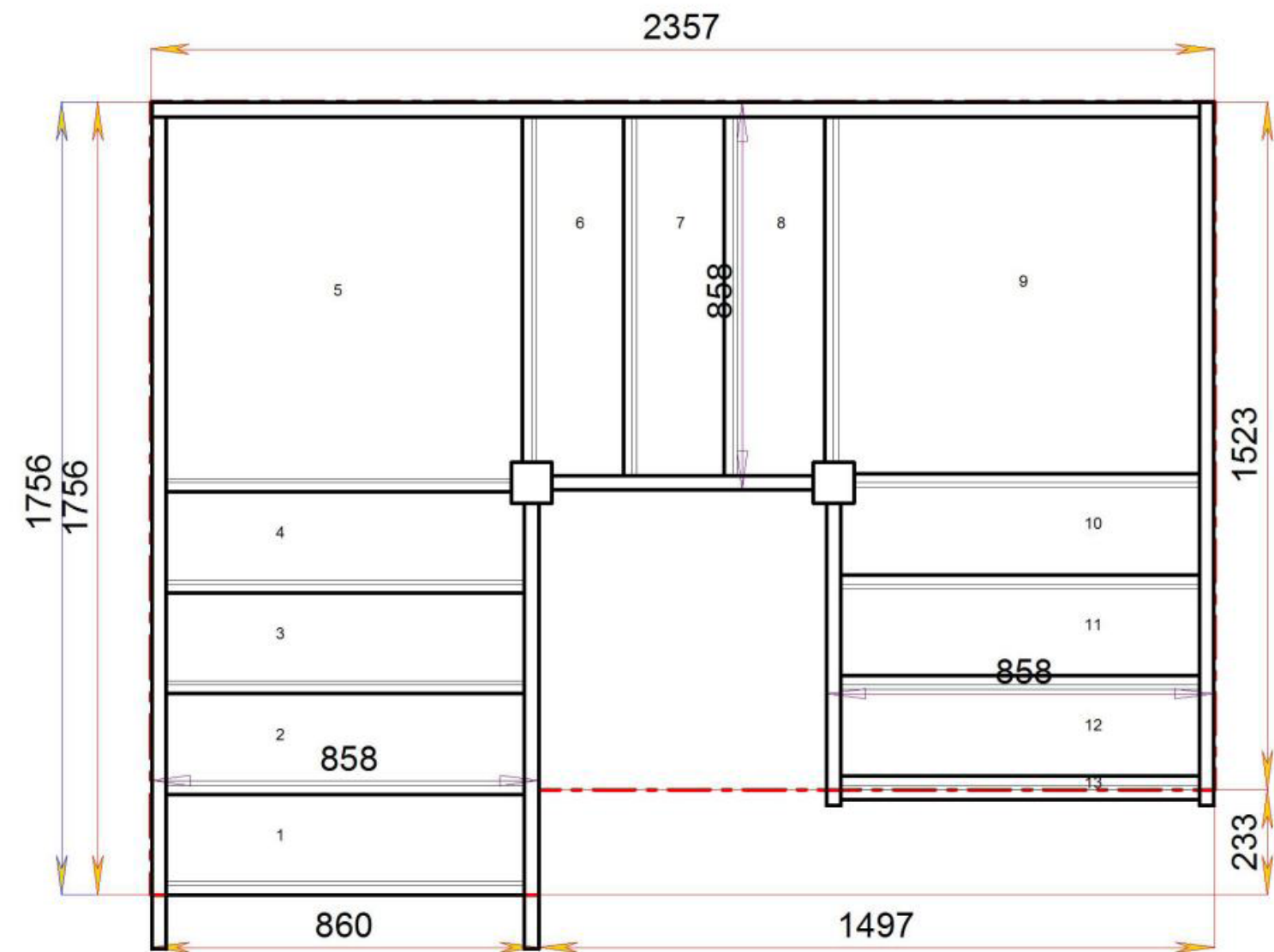
2600.000 mm





### Stair Layouts-D QL

### S4QL3QL3N-RH



Stair:S4QL3QL3N-RH

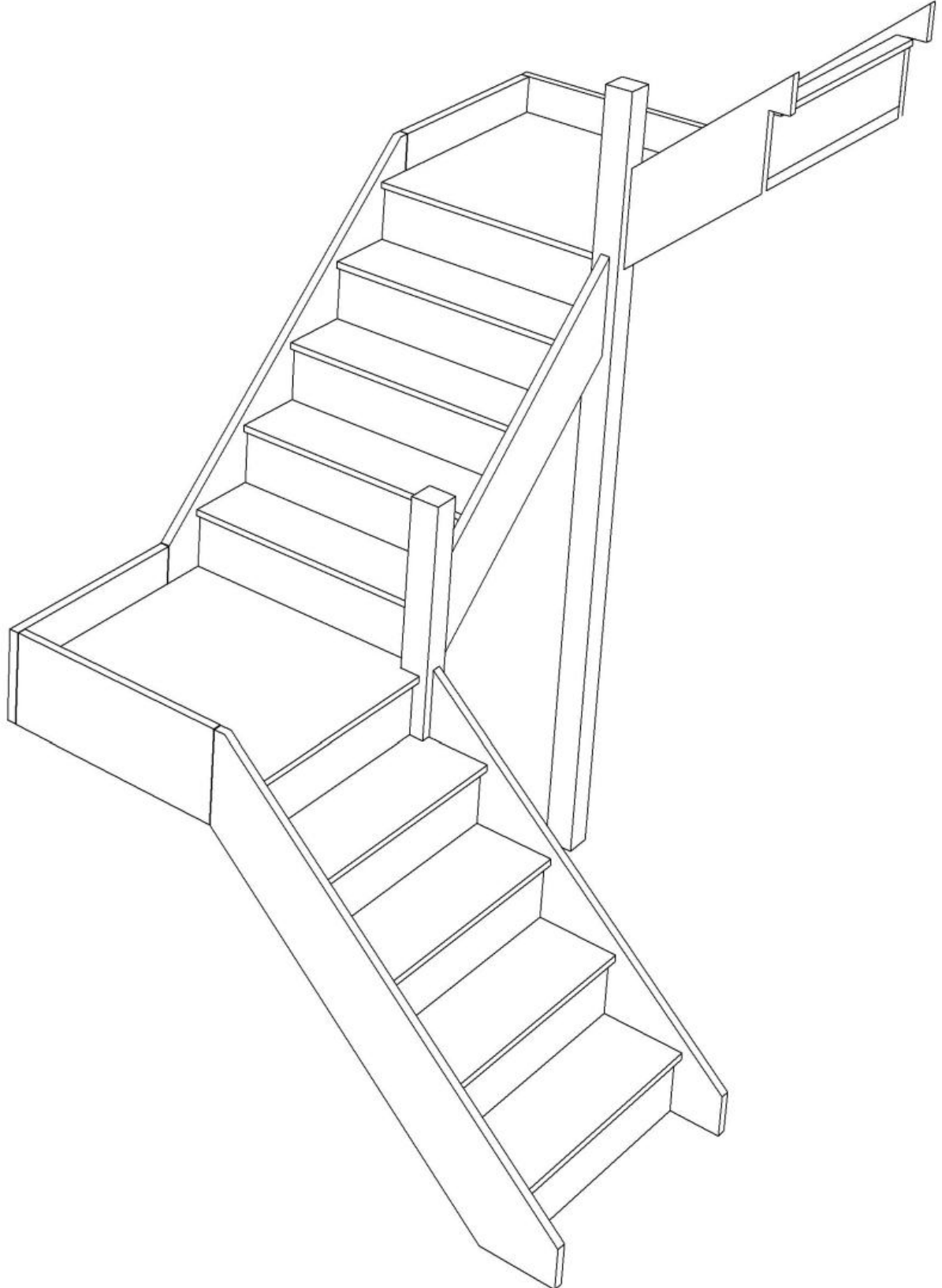


Floor to floor height

2600.000 mm

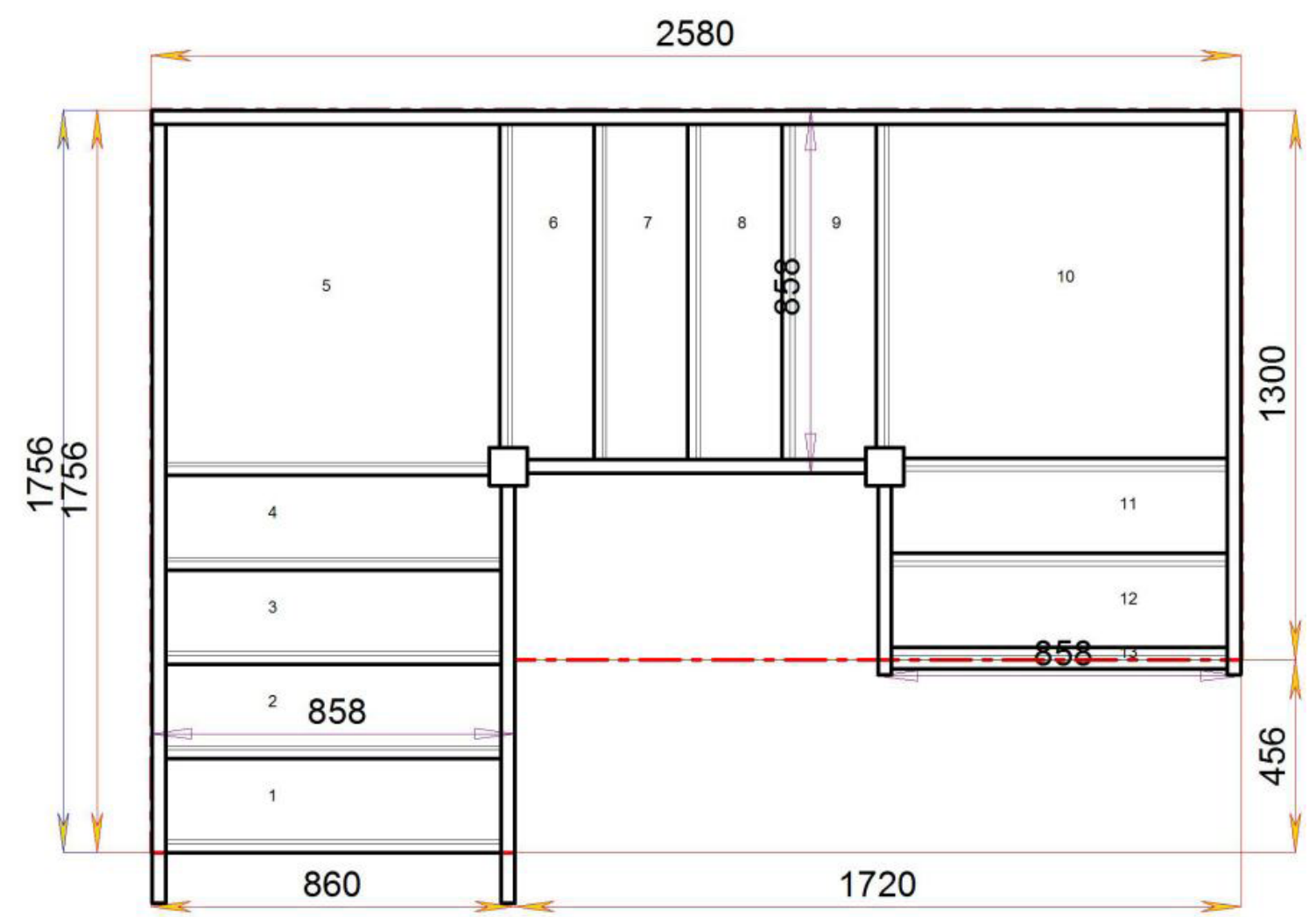






### Stair Layouts-D QL

### S4QL4QL2N-RH



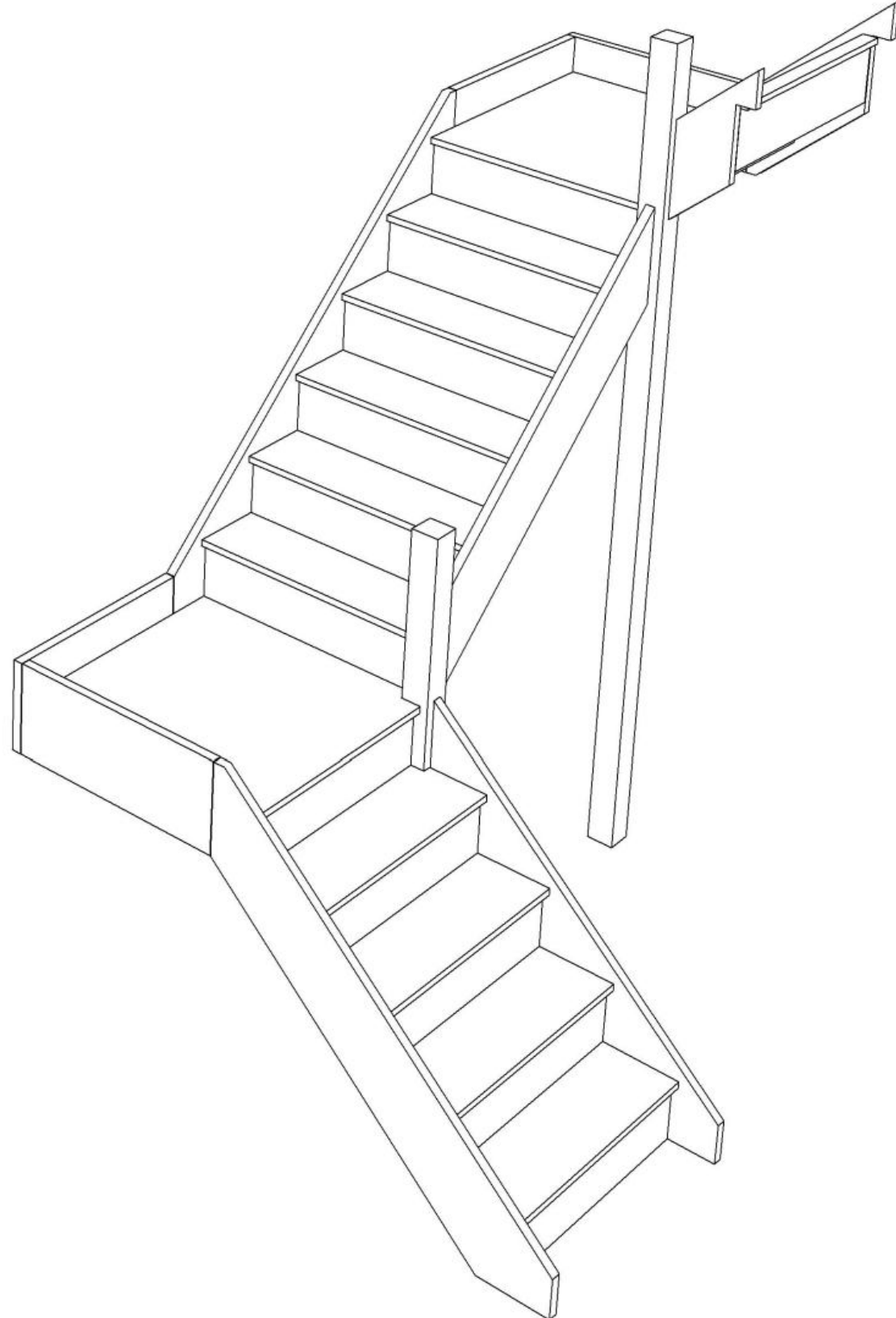
Stair:S4QL4QL2N-RH



Floor to floor height

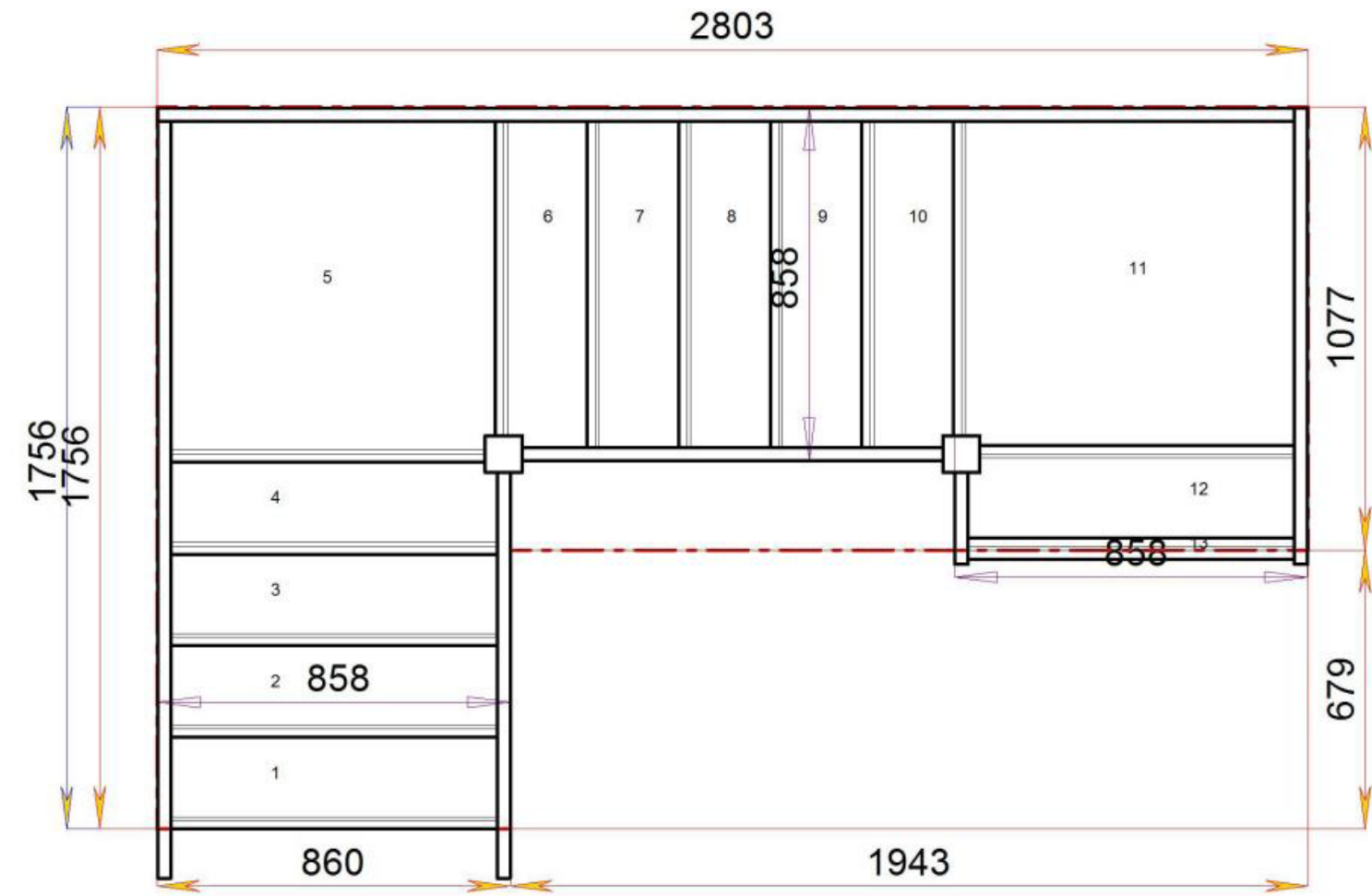
2600.000 mm





### Stair Layouts-D QL

### S4QL5QL1N-RH



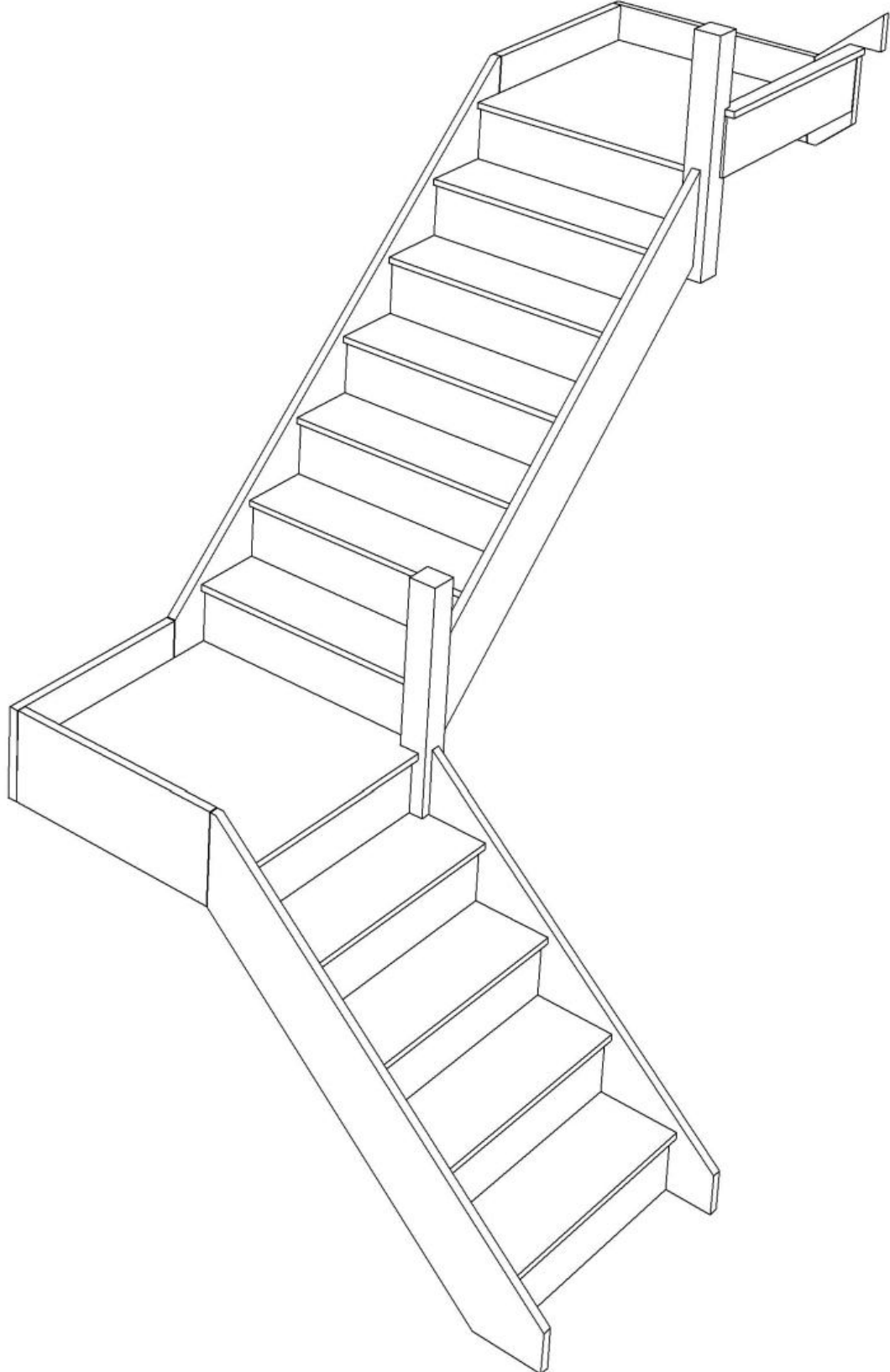
Stair:S4QL5QL1N-RH



Floor to floor height

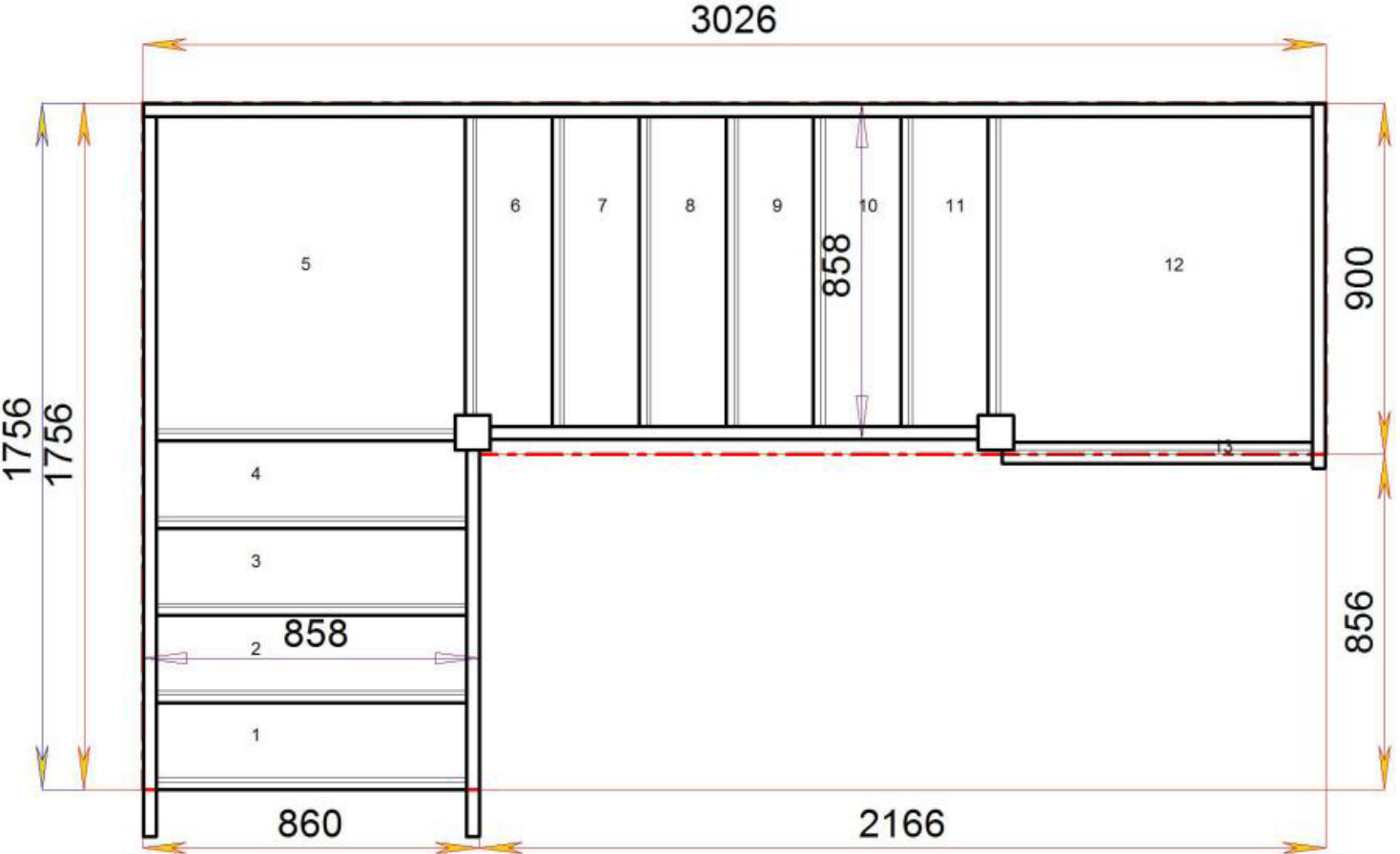
2600.000 mm





Stair Layouts-D QL

S4QL6QLN-RH



Stair:S4QL6QLN-RH



Floor to floor height

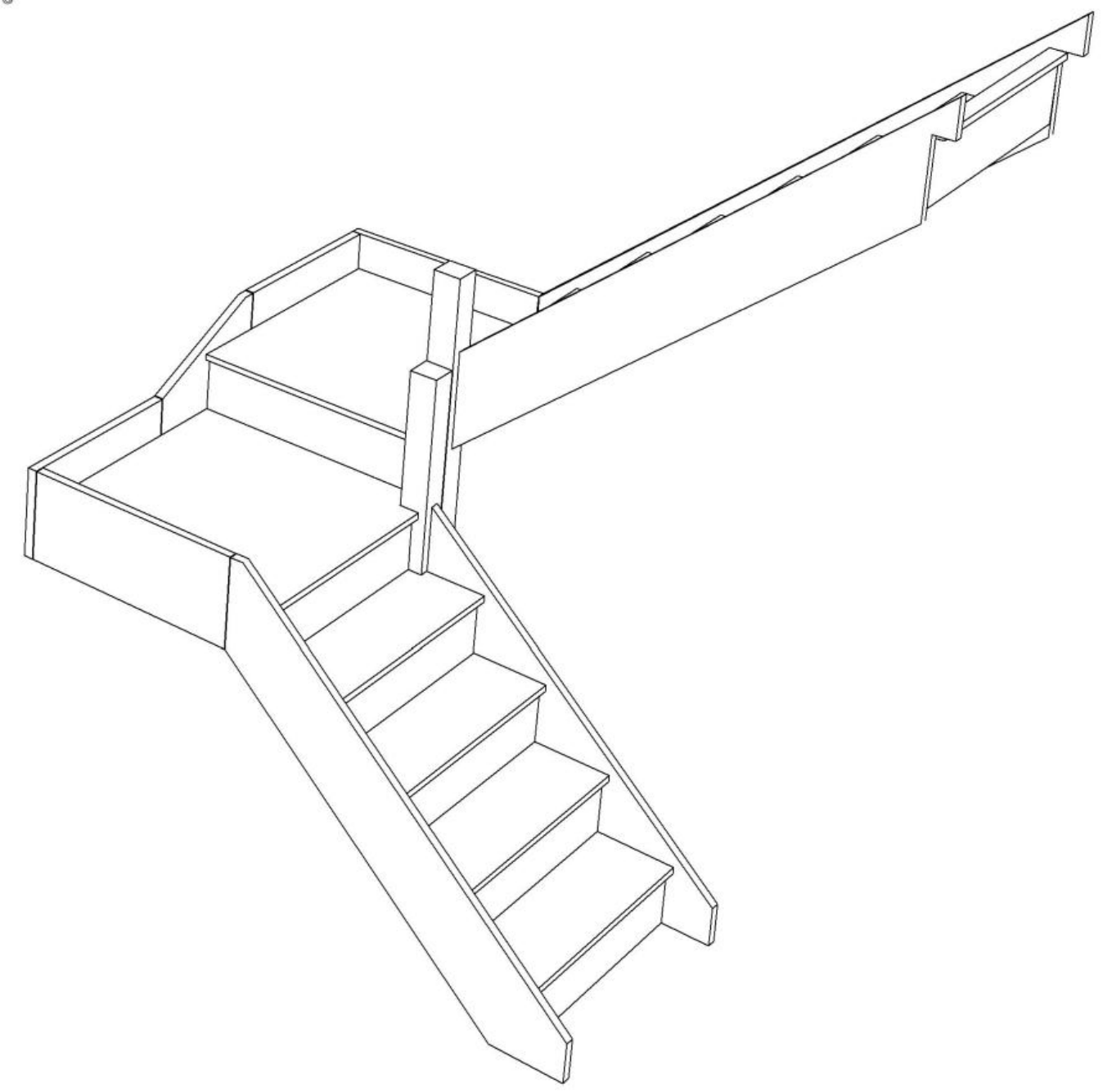
2600.000 mm



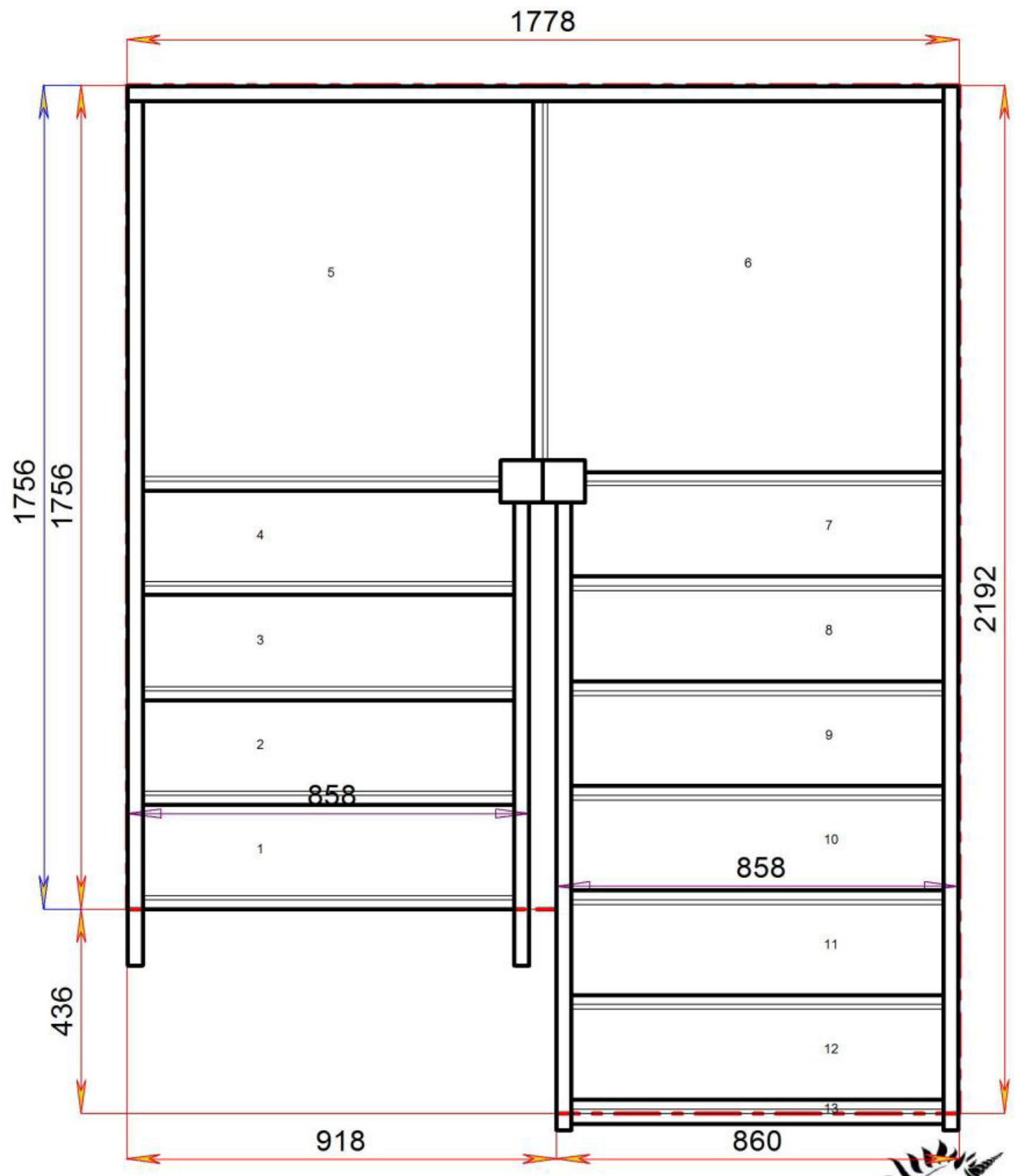


### Stair Layouts-D QL

### S4QLQL6N-RH



Stair:S4QLQL6N-RH

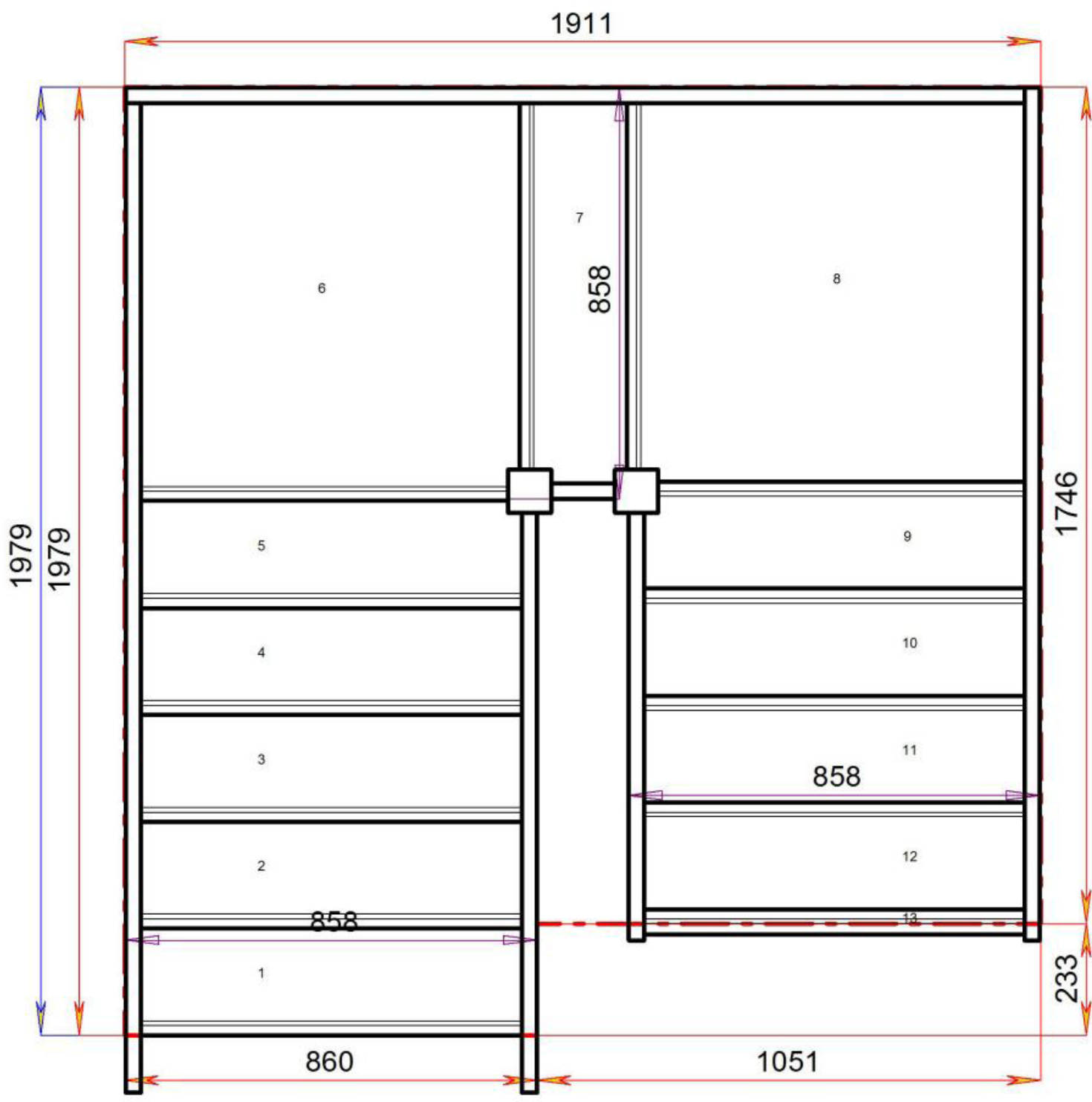
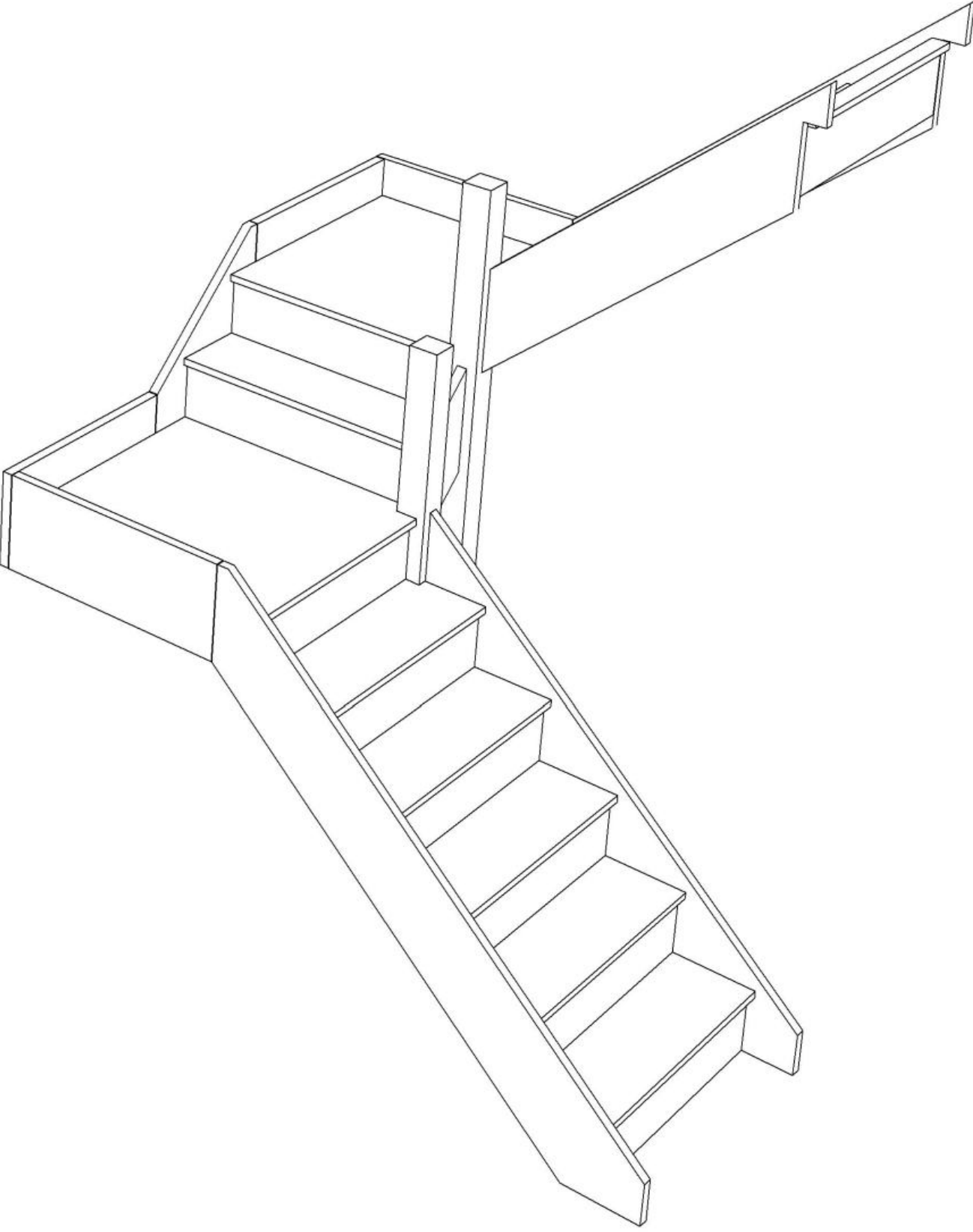


Floor to floor height 2600.000 mm



### Stair Layouts-D QL

### S5QL1QL4N-RH



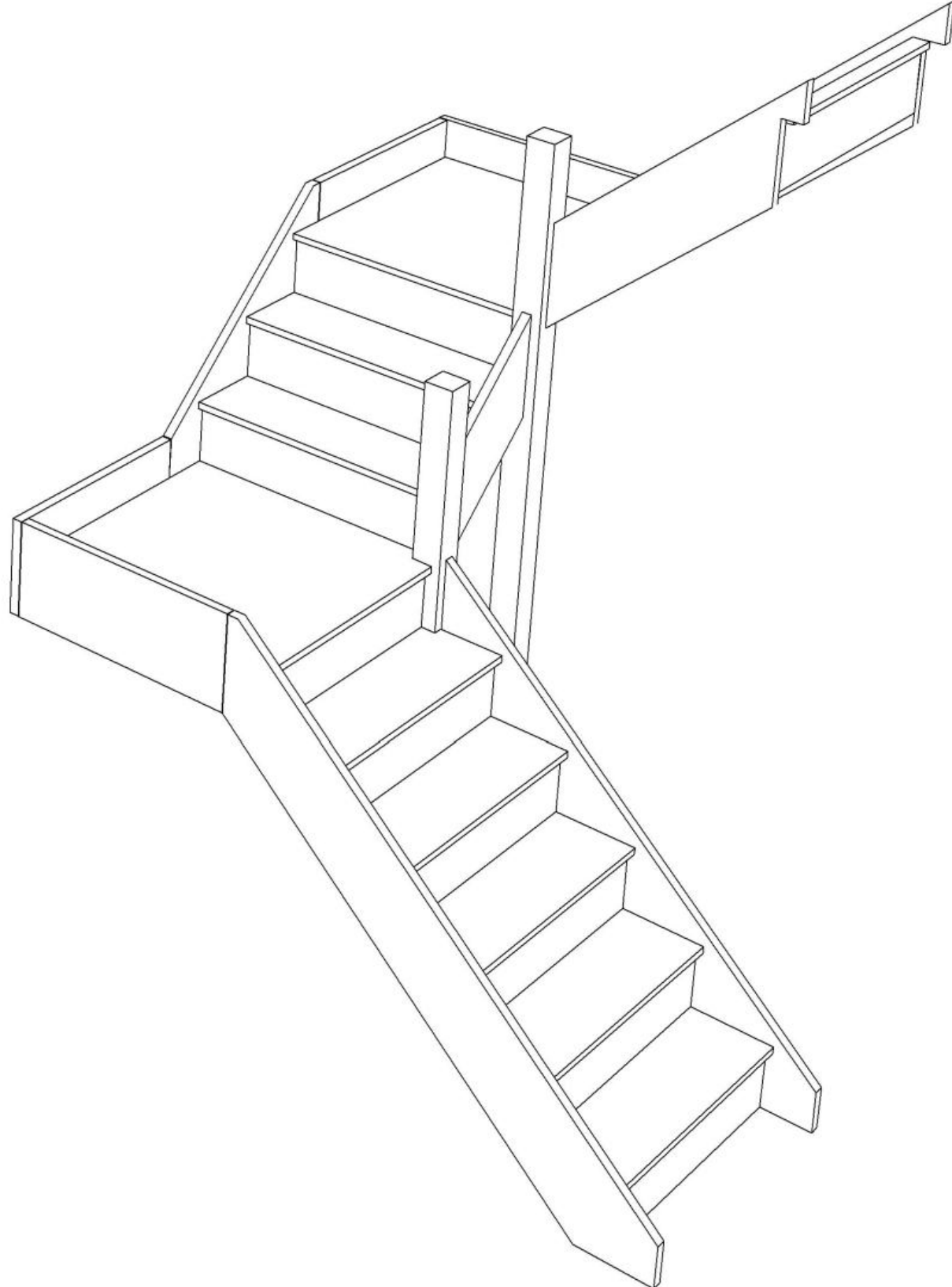
Stair:S5QL1QL4N-RH



Floor to floor height 2600.000 mm



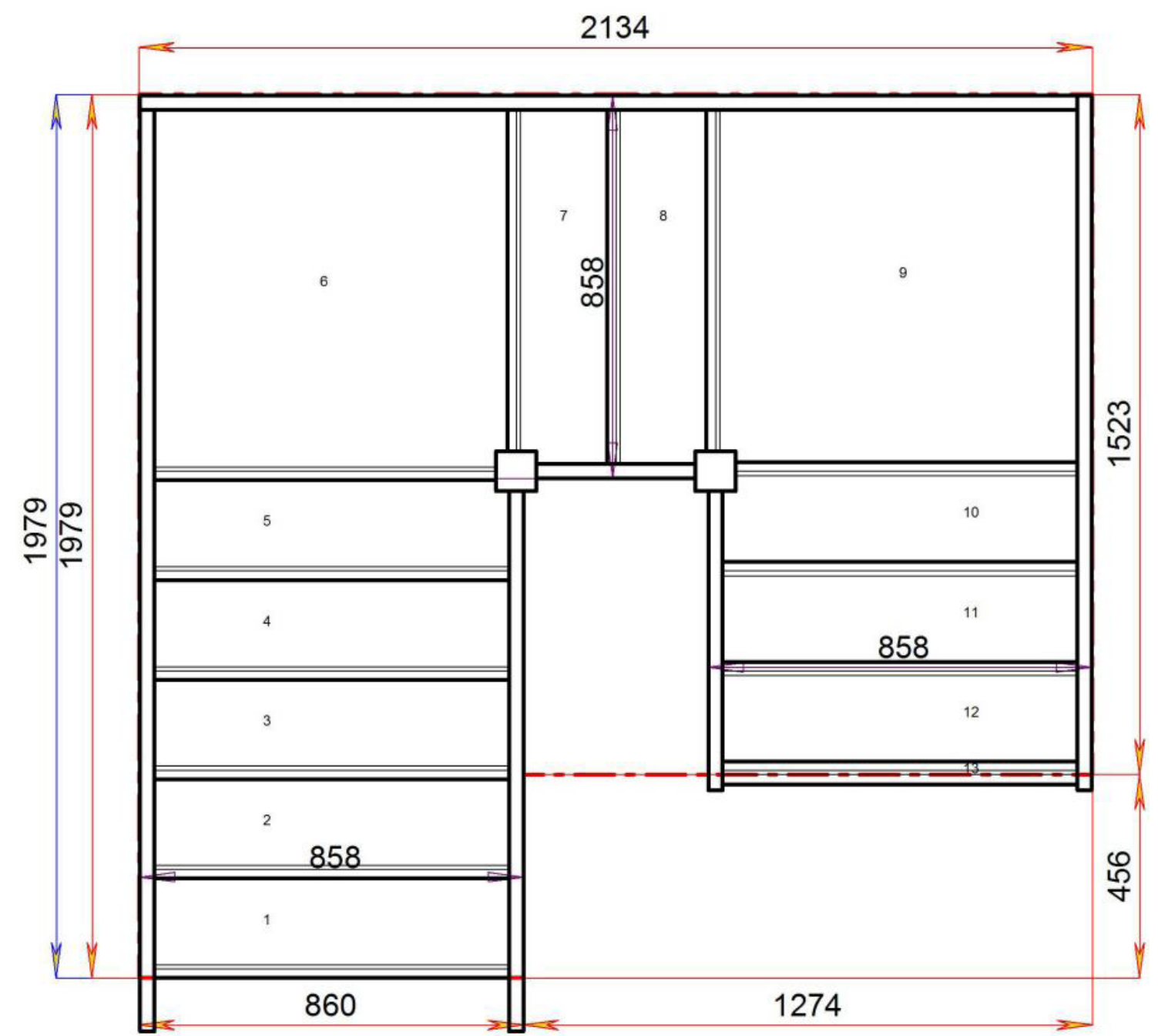
© 08090632B/11035



© 08090632B/11035

### Stair Layouts-D QL

### S5QL2QL3N-RH



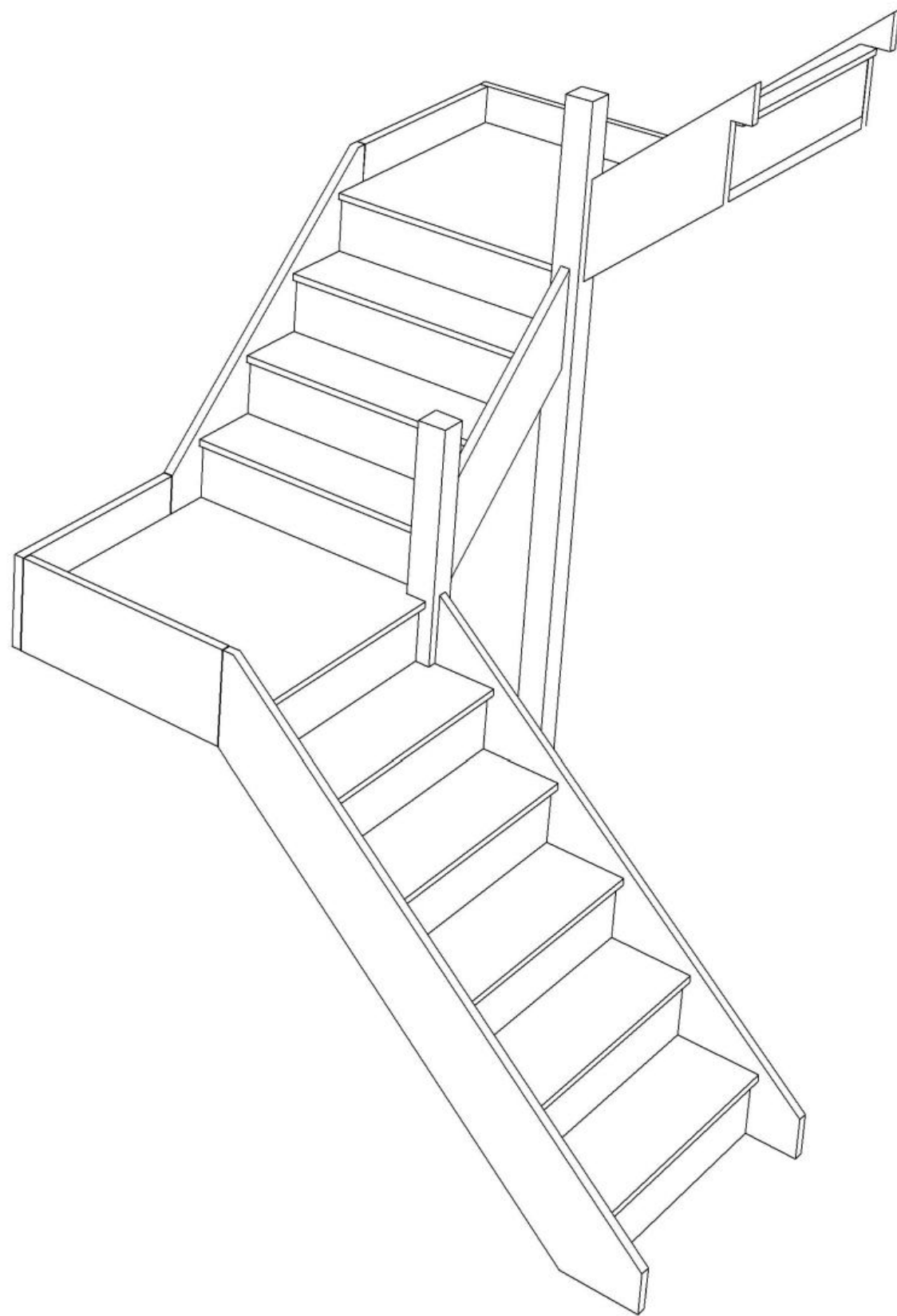
Stair:S5QL2QL3N-RH



Floor to floor height 2600.000 mm

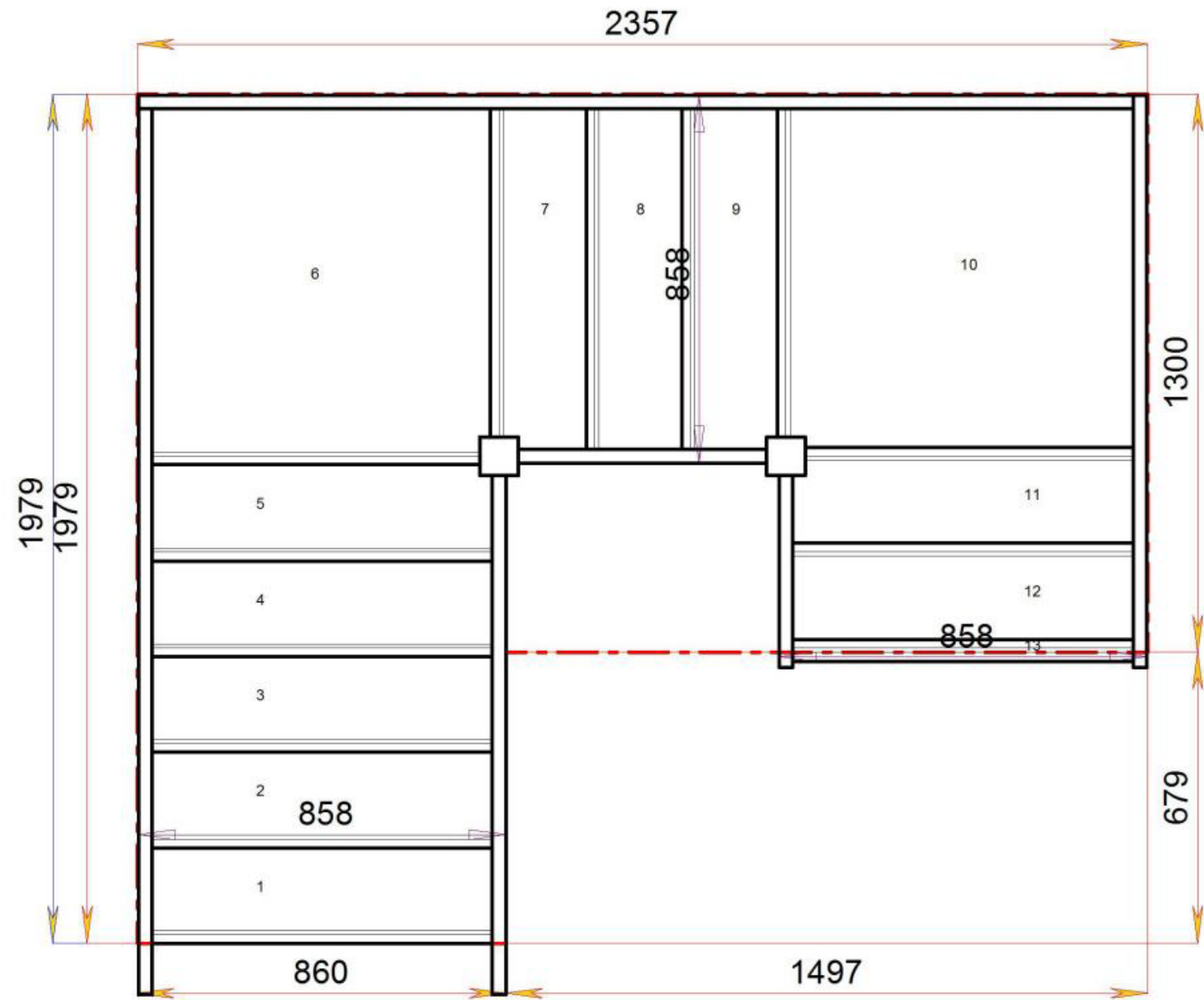






### Stair Layouts-D QL

### S5QL3QL2N-RH



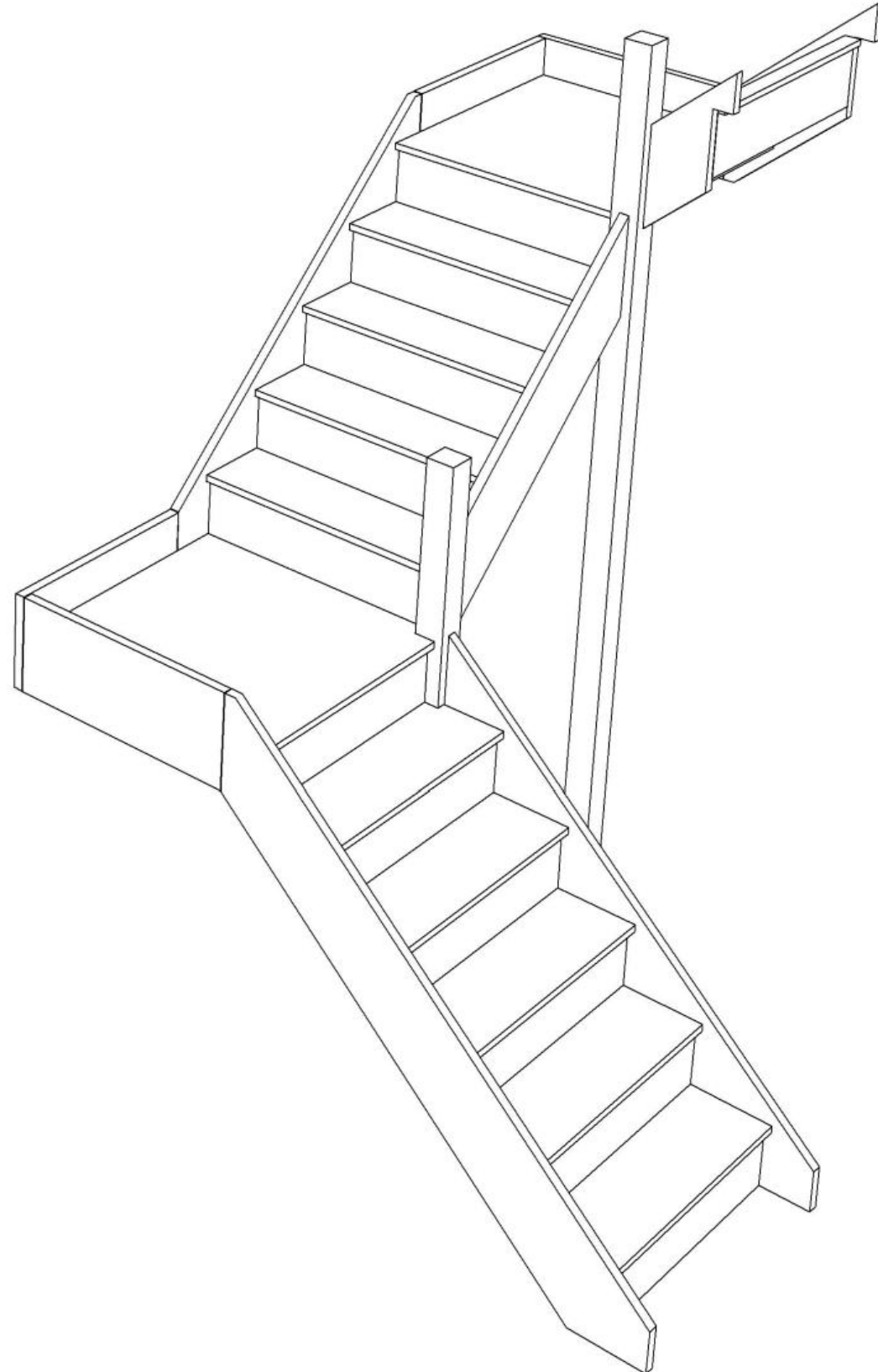
Stair:S5QL3QL2N-RH



Floor to floor height

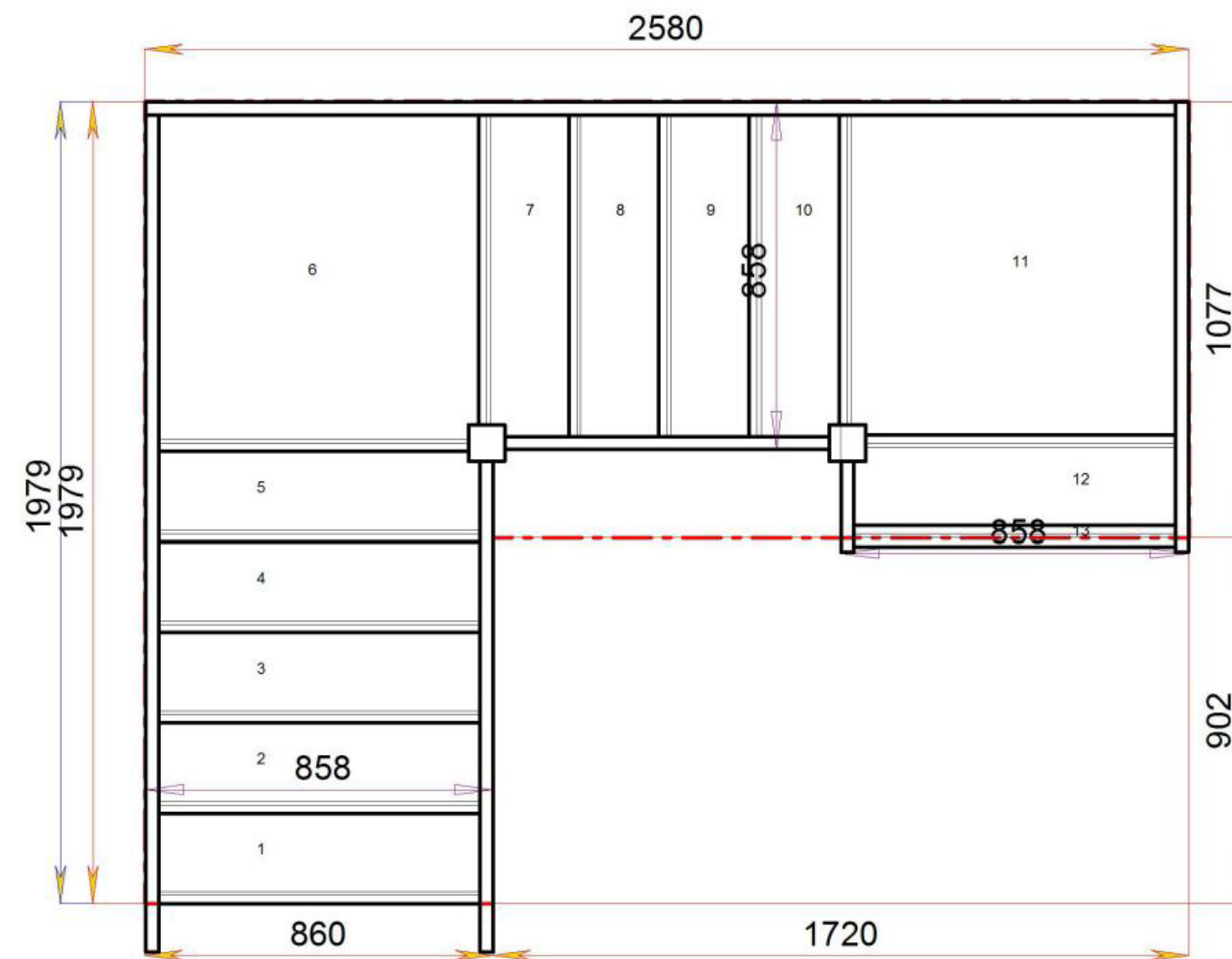
2600.000 mm





### Stair Layouts-D QL

### S5QL4QL1N-RH



Stair:S5QL4QL1N-RH



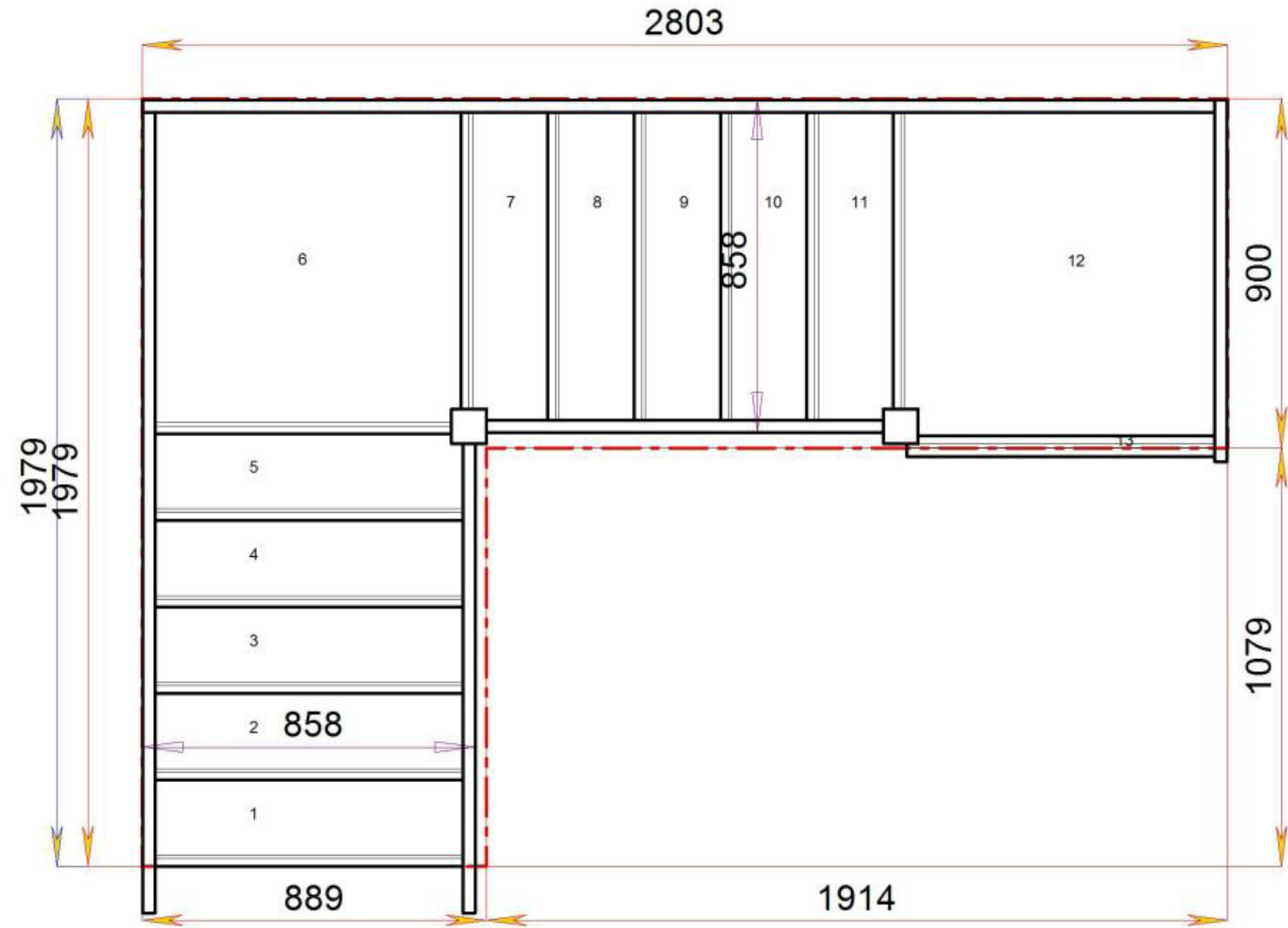
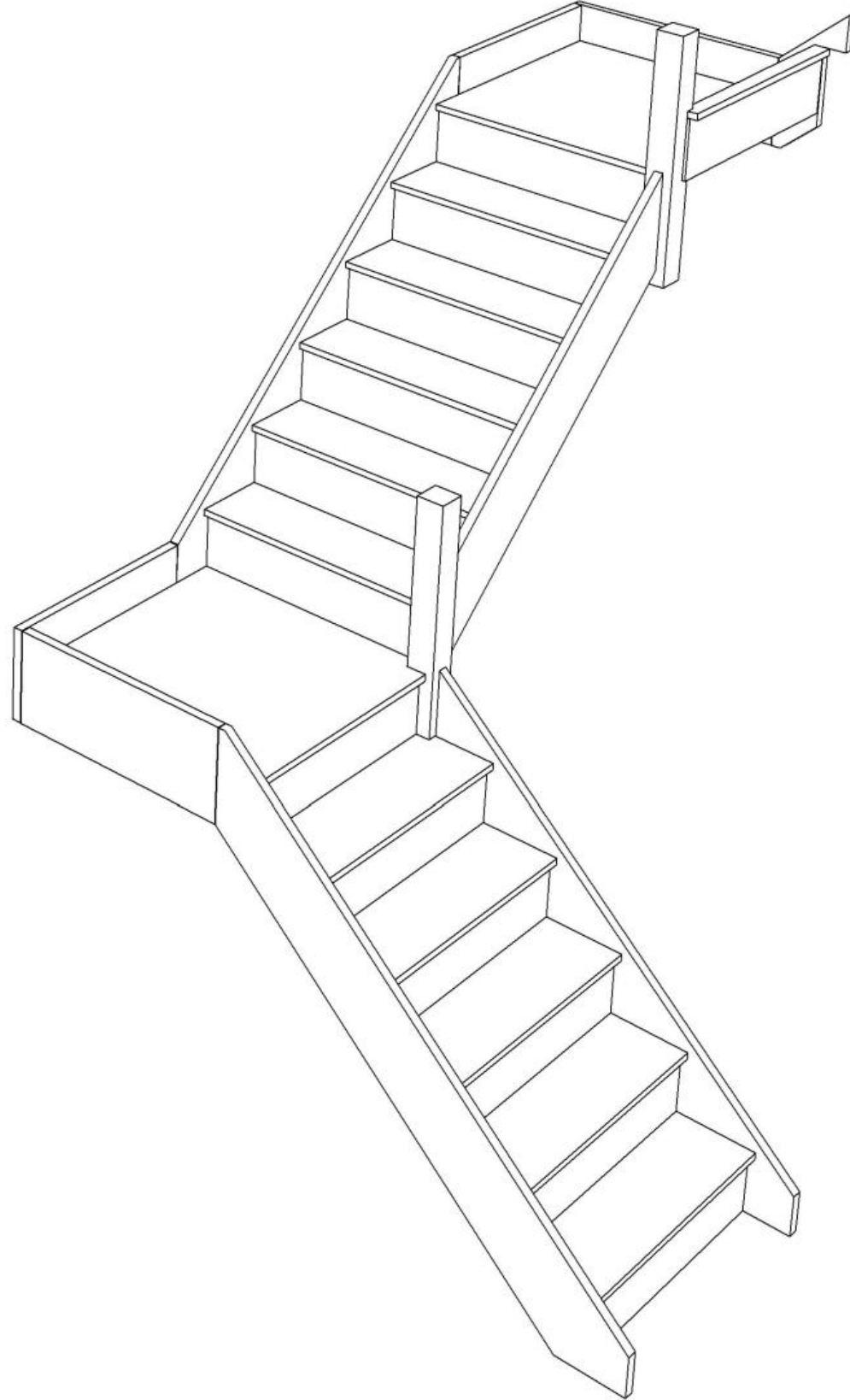
Floor to floor height

2600.000 mm



# Stair Layouts-D QL

# S5QL5QLN-RH



Stair:S5QL5QLN-RH



Floor to floor height

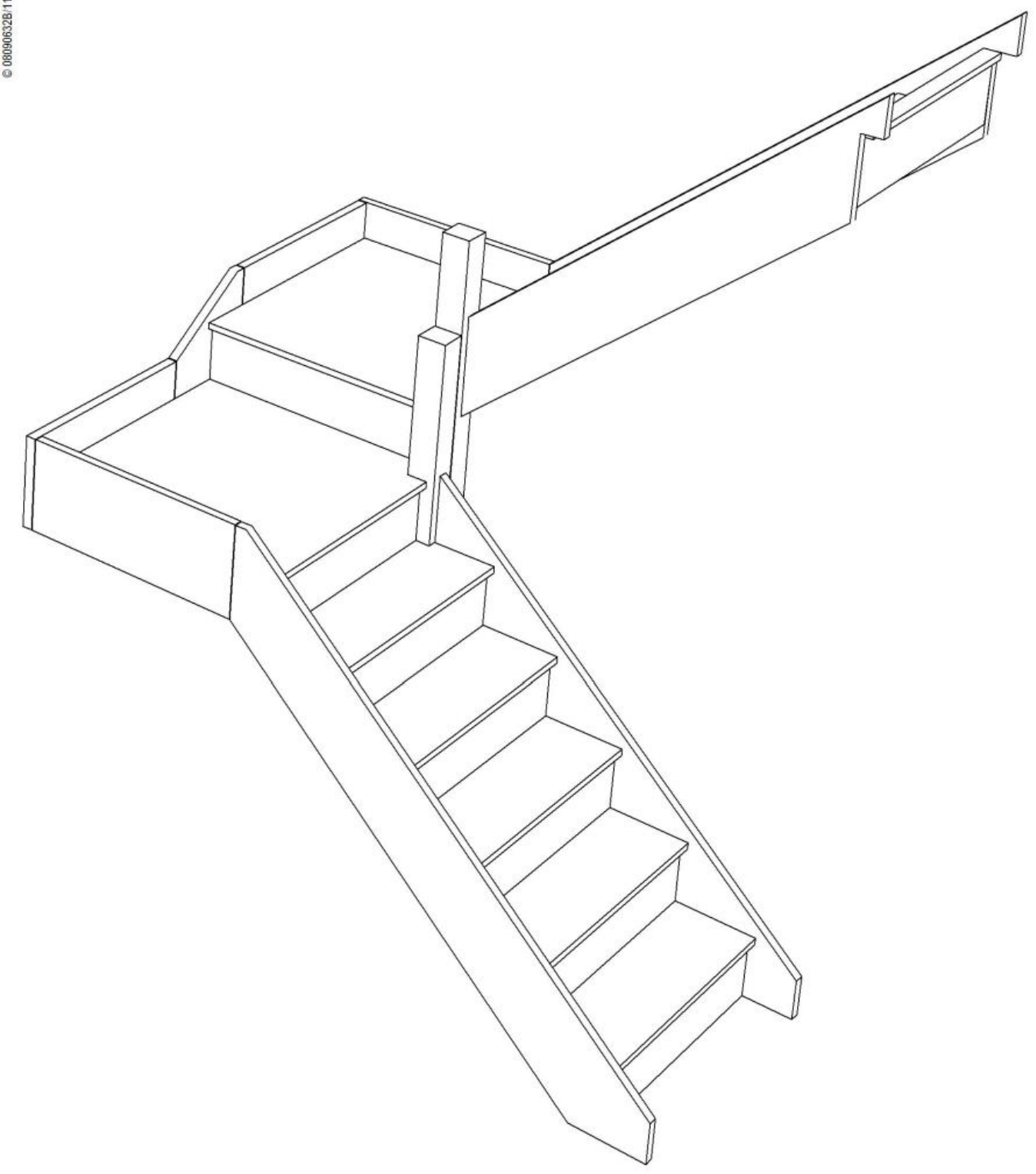
2600.000 mm



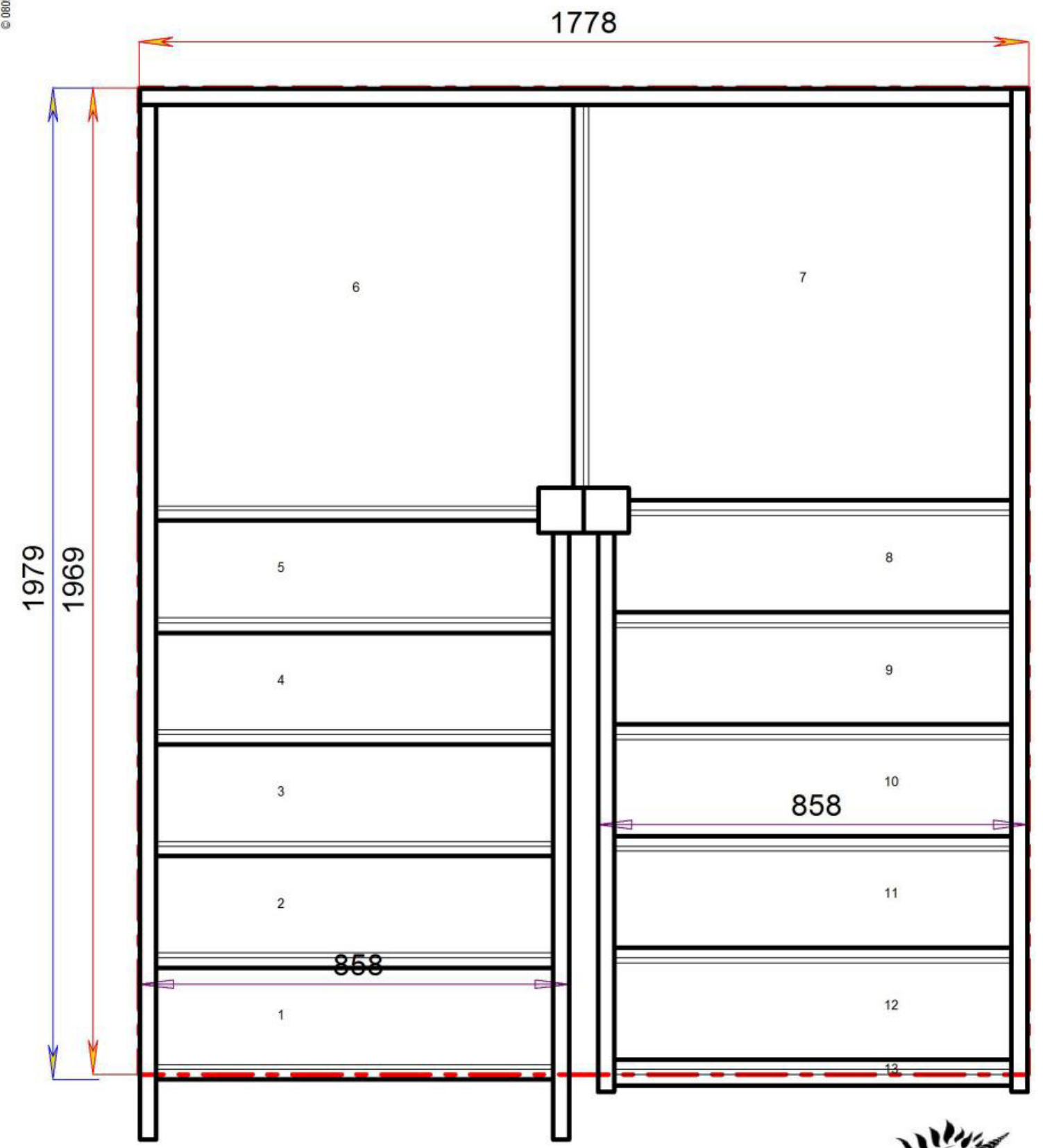


### Stair Layouts-D QL

### S5QLQL5N-RH

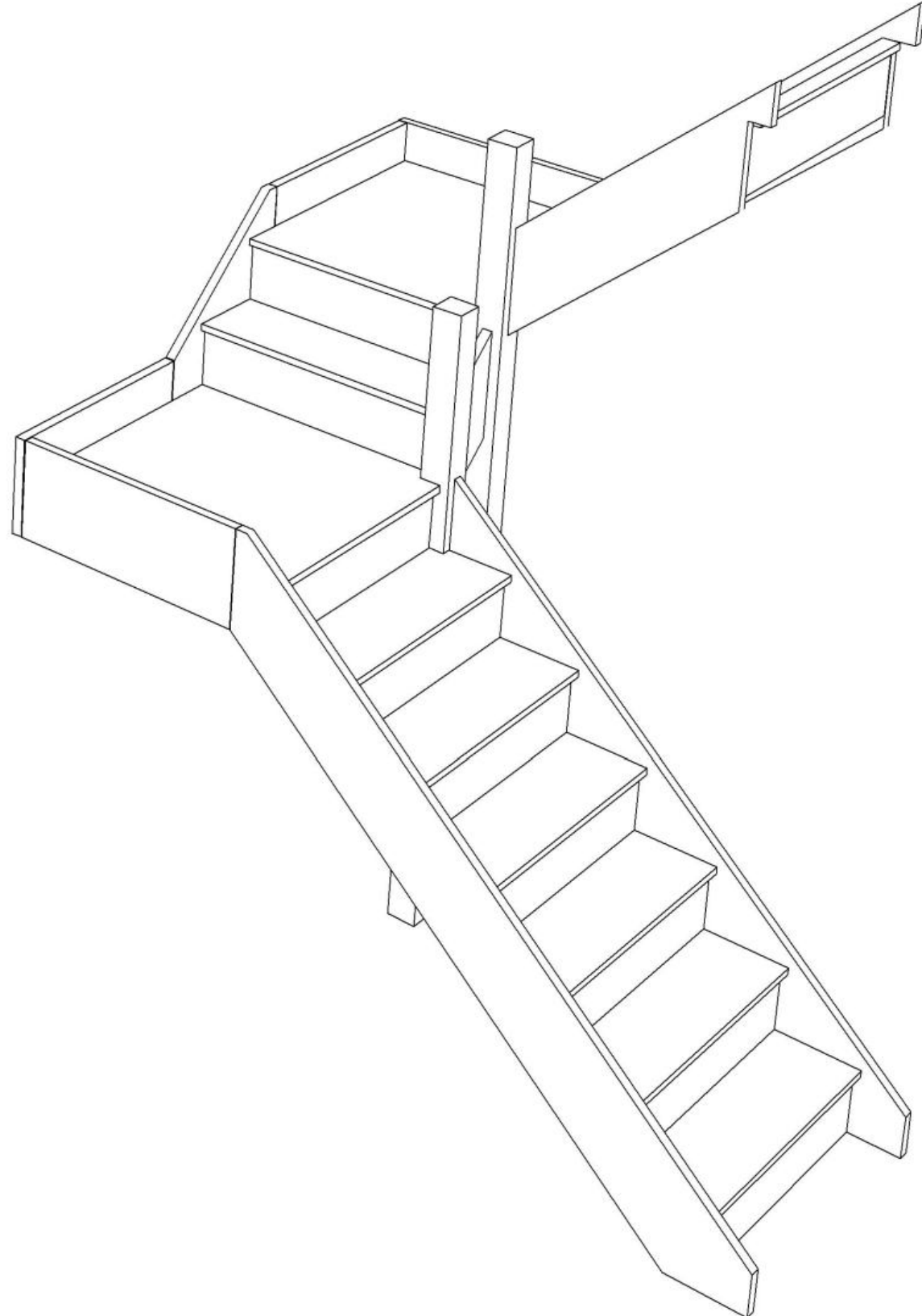


Stair:S5QLQL5N-RH



Floor to floor height 2600.000 mm



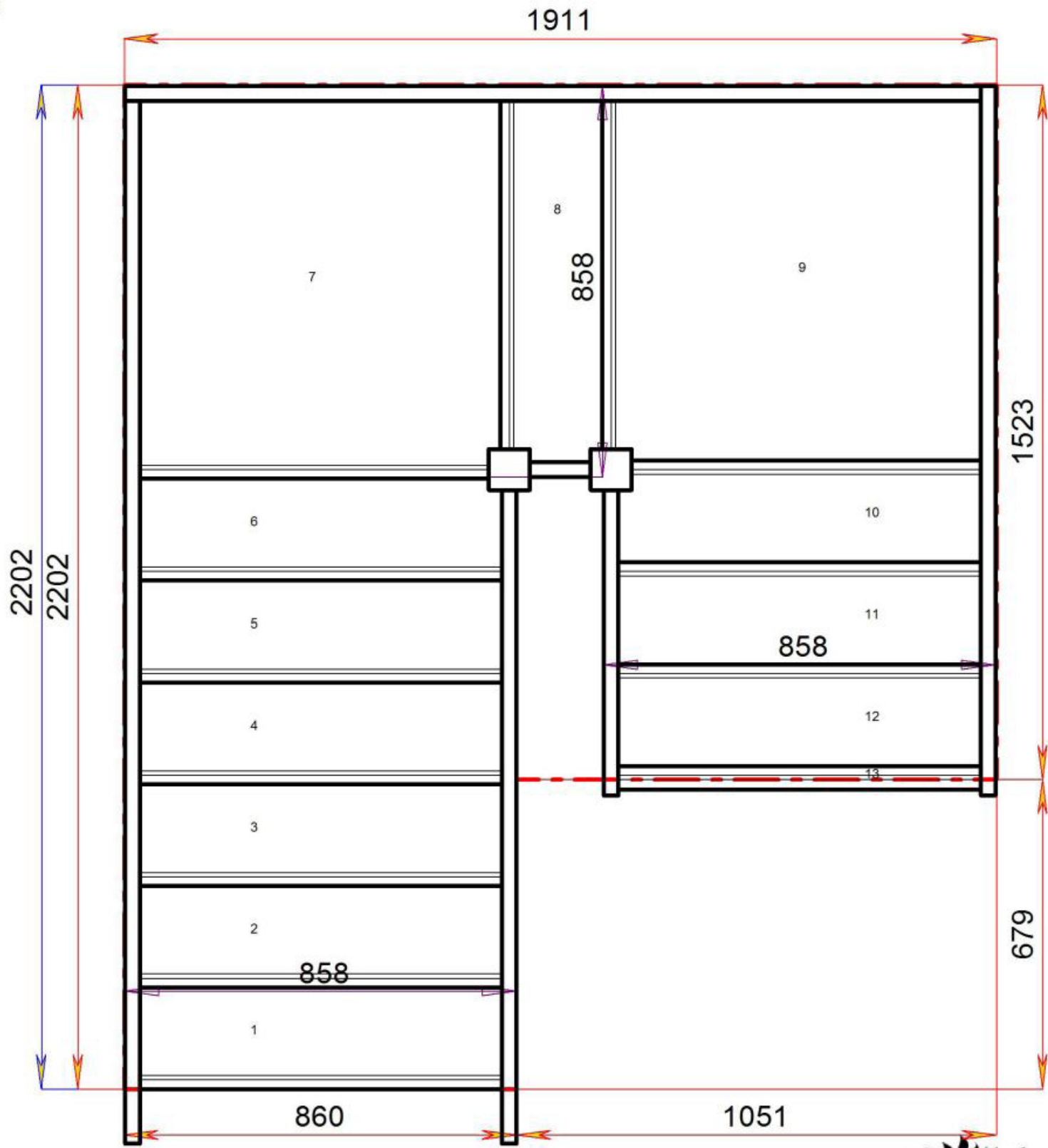


Stair:S6QL1QL3N-RH



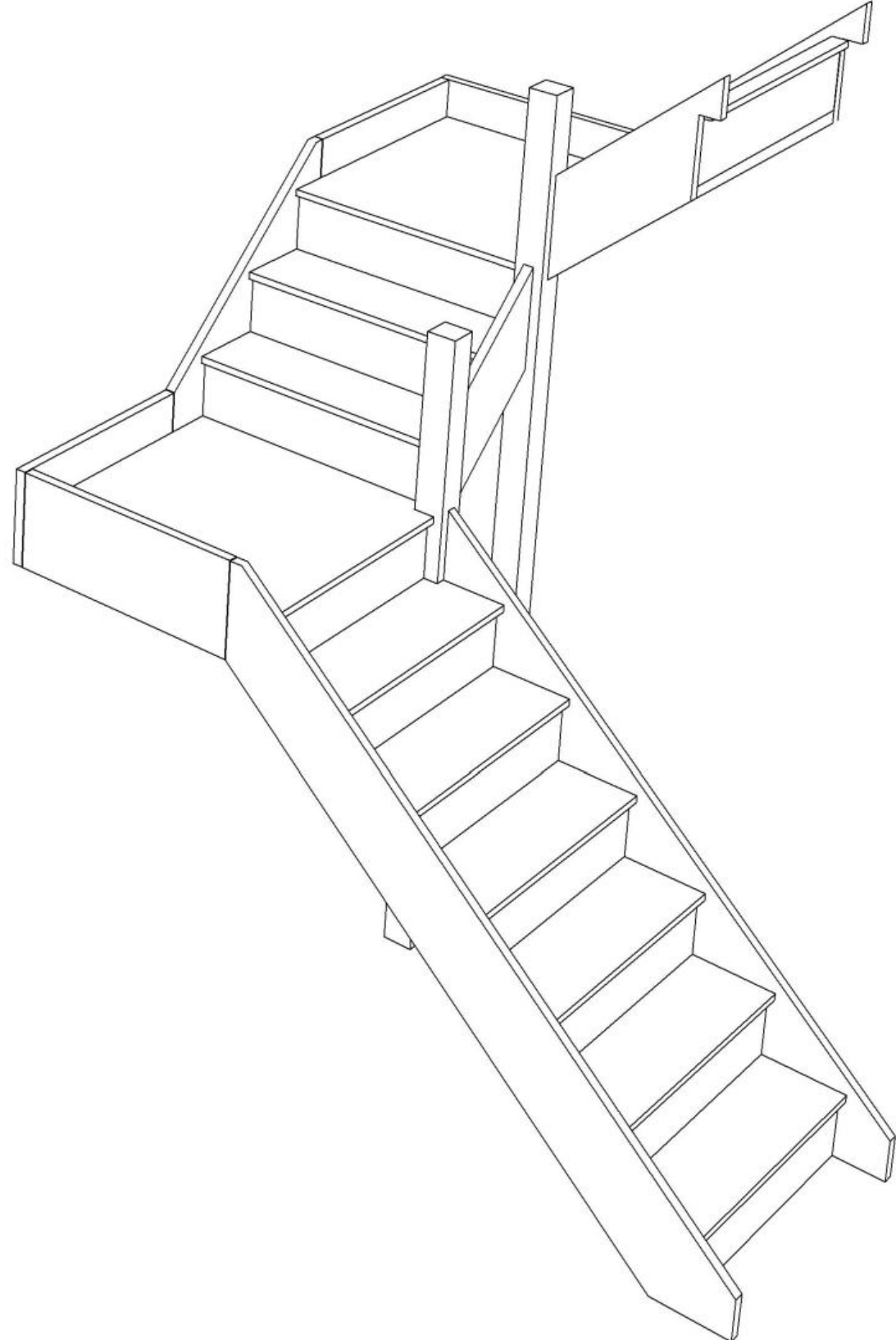
### Stair Layouts-D QL

### S6QL1QL3N-RH



Floor to floor height 2600.000 mm



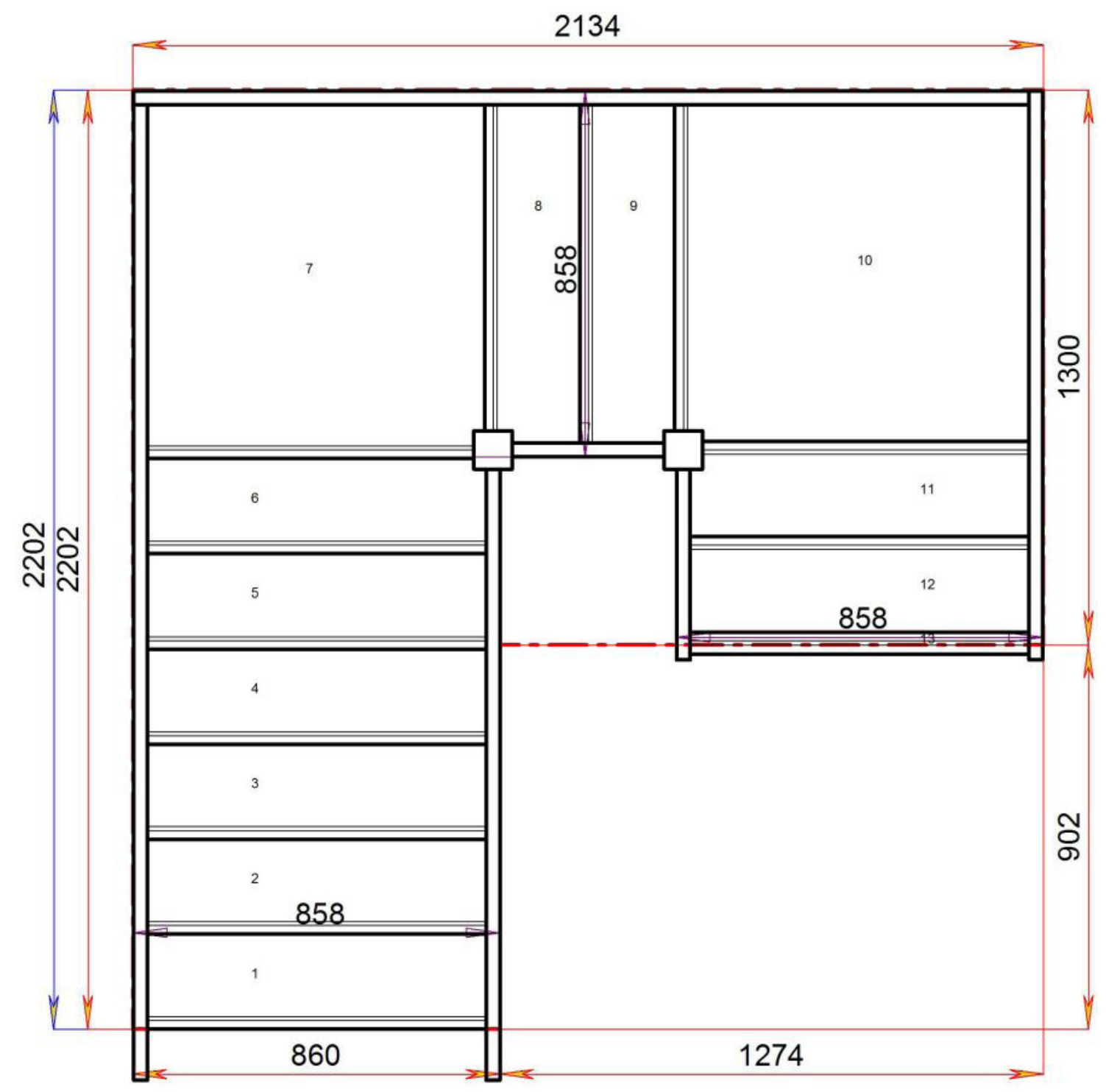


Stair:S6QL2QL2N-RH



Stair Layouts-D QL

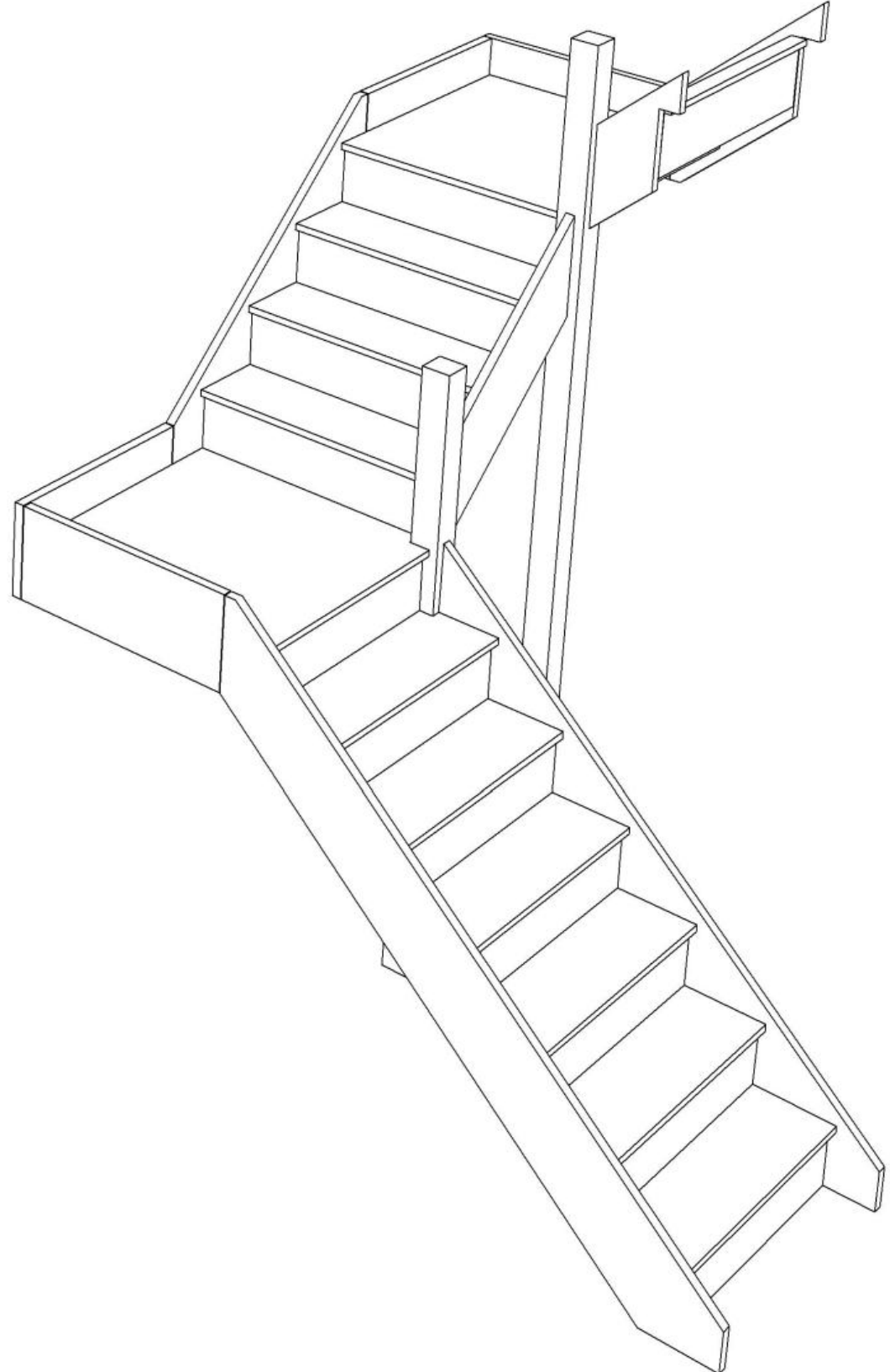
S6QL2QL2N-RH



Floor to floor height 2600.000 mm

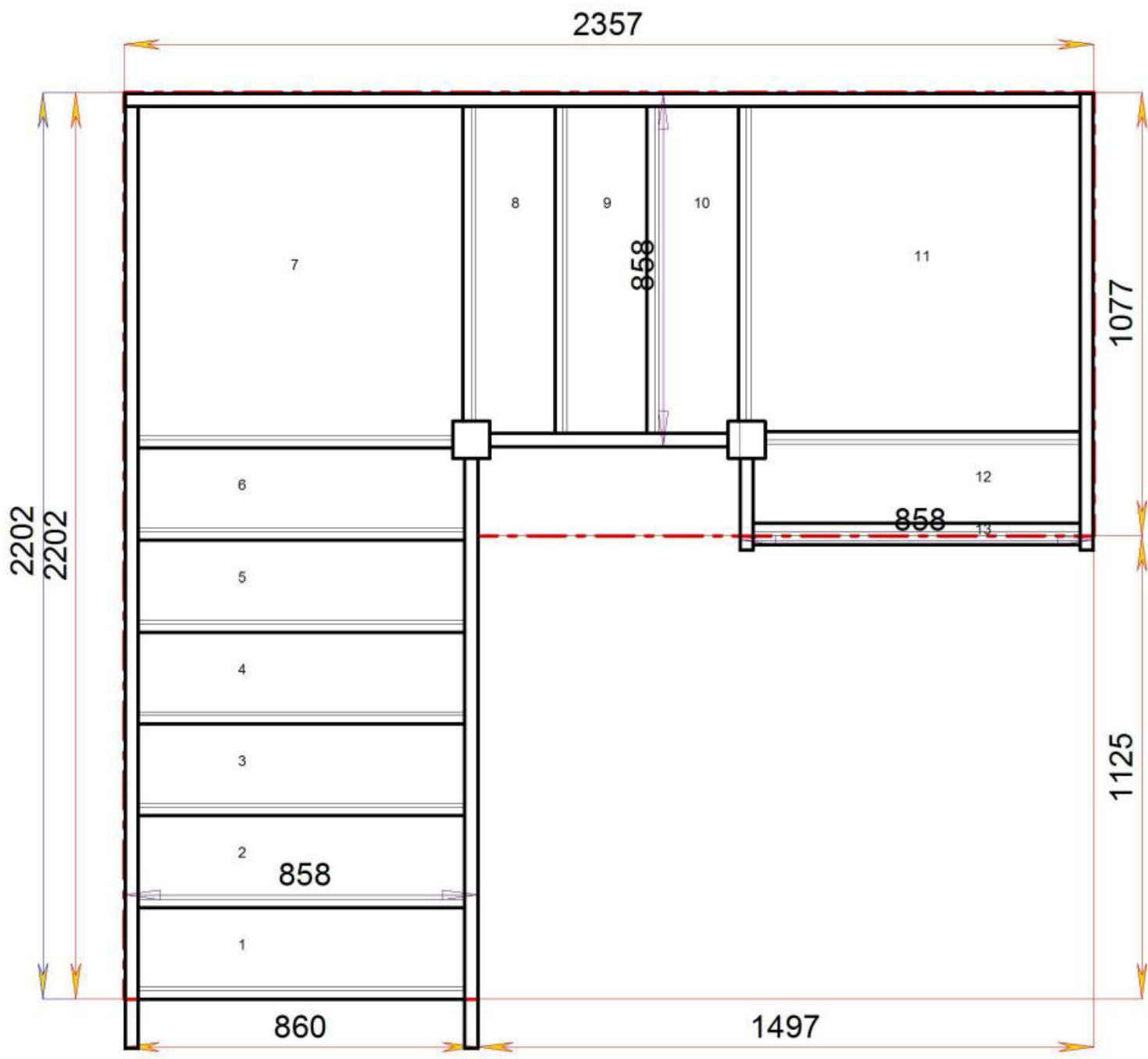






### Stair Layouts-D QL

### S6QL3QL1N-RH



Stair:S6QL3QL1N-RH



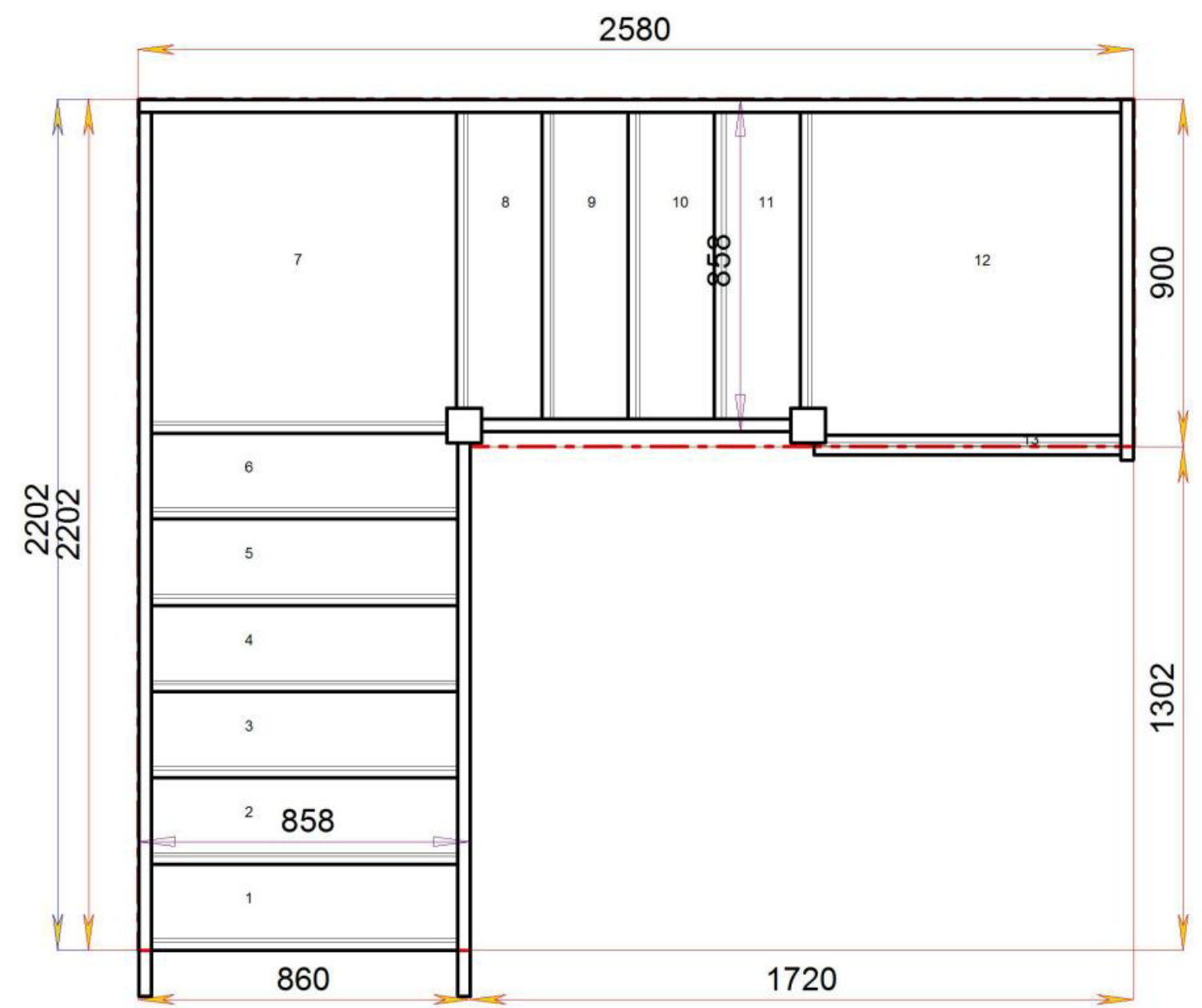
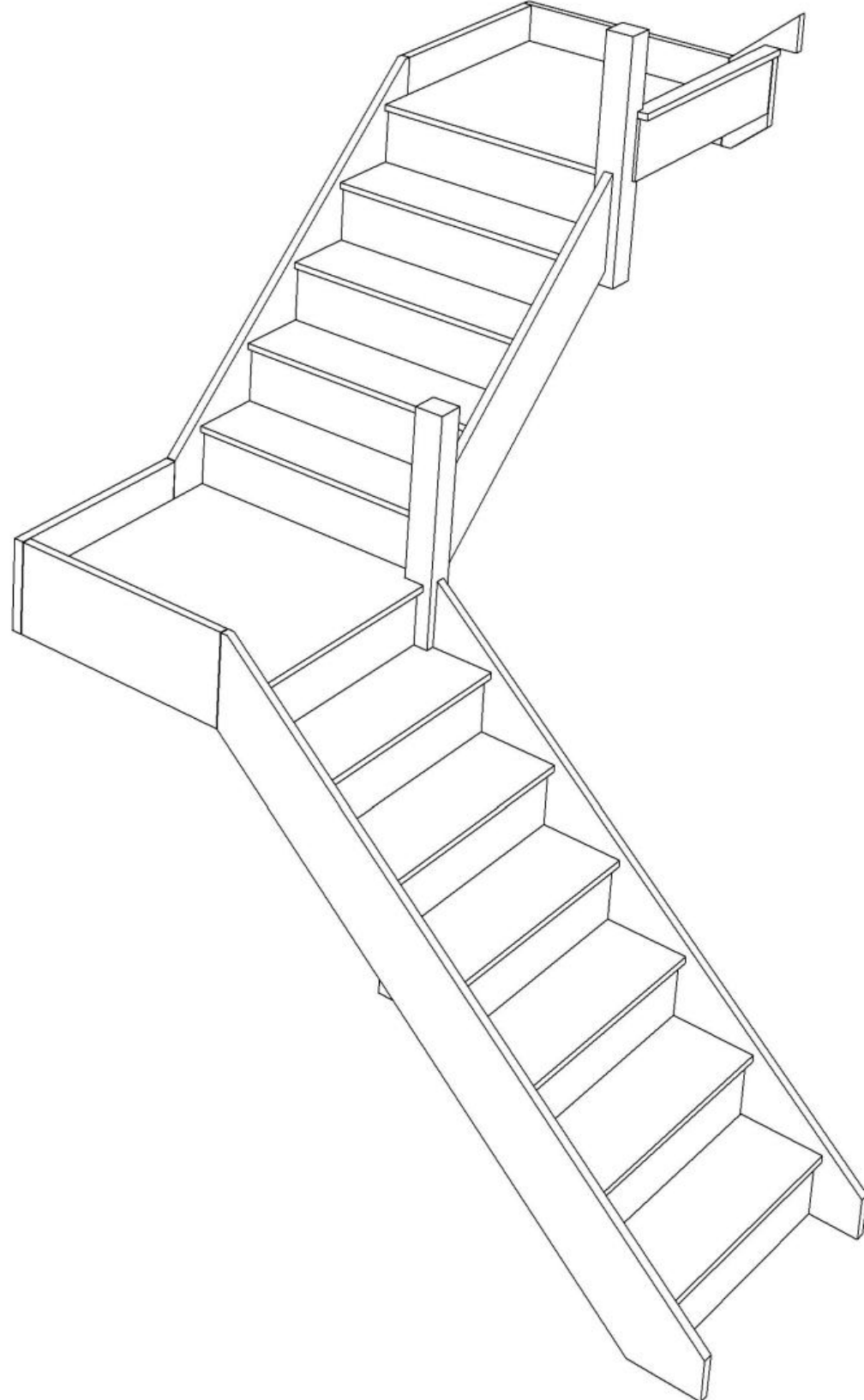
Floor to floor height 2600.000 mm



### Stair Layouts-D QL

### S6QL4QLN-RH

© 08090632B/11035

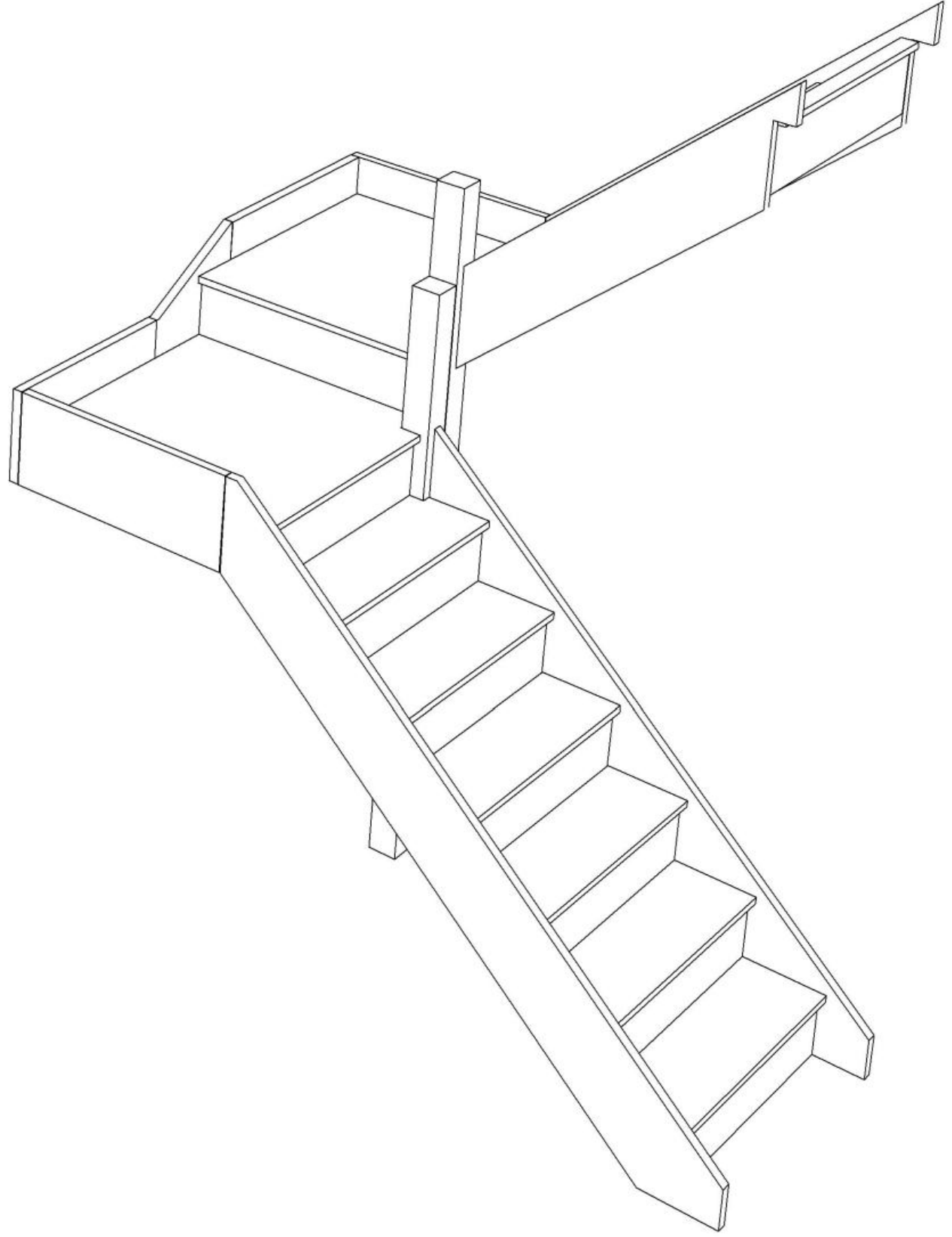


Stair:S6QL4QLN-RH

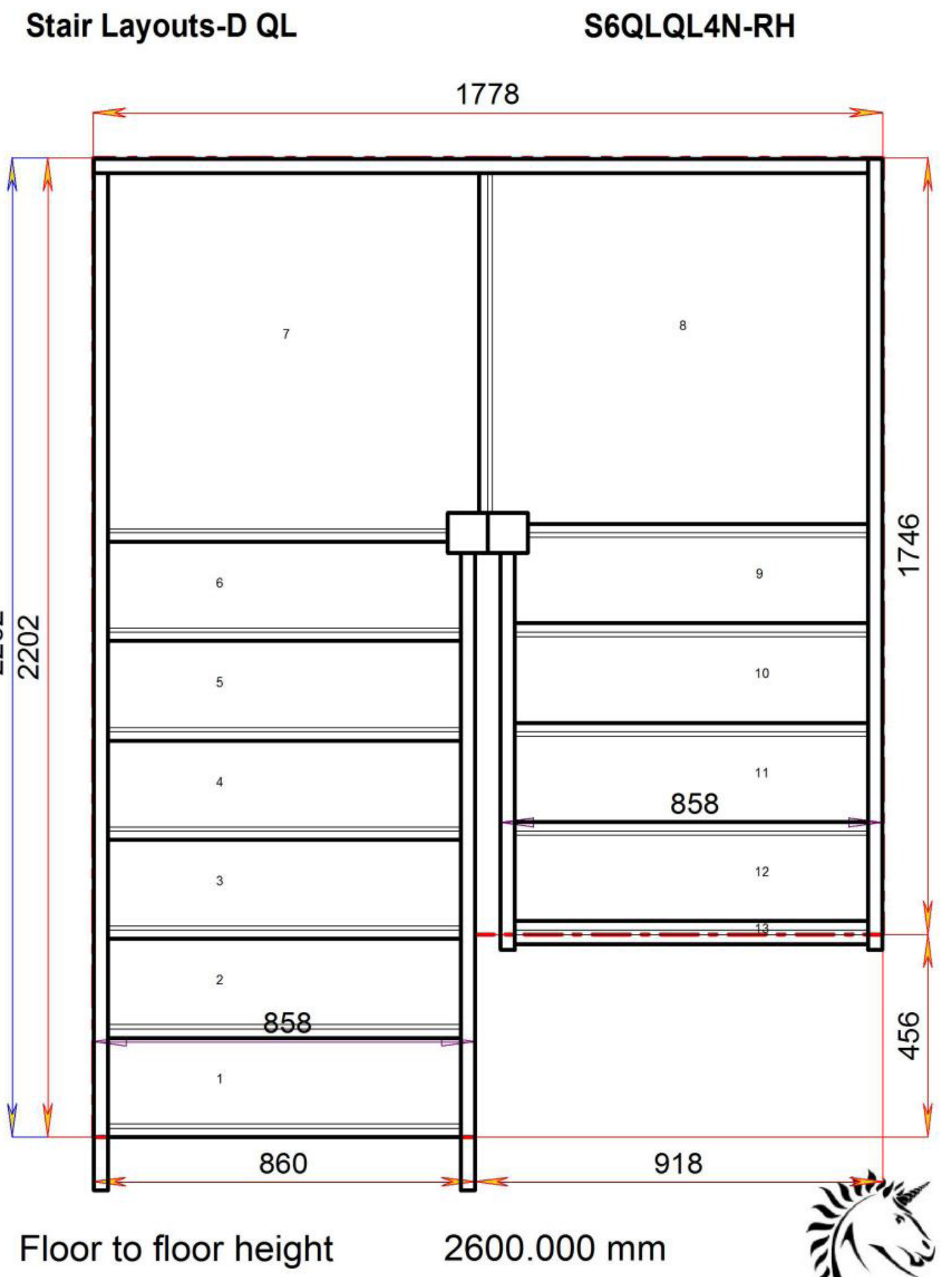


Floor to floor height 2600.000 mm

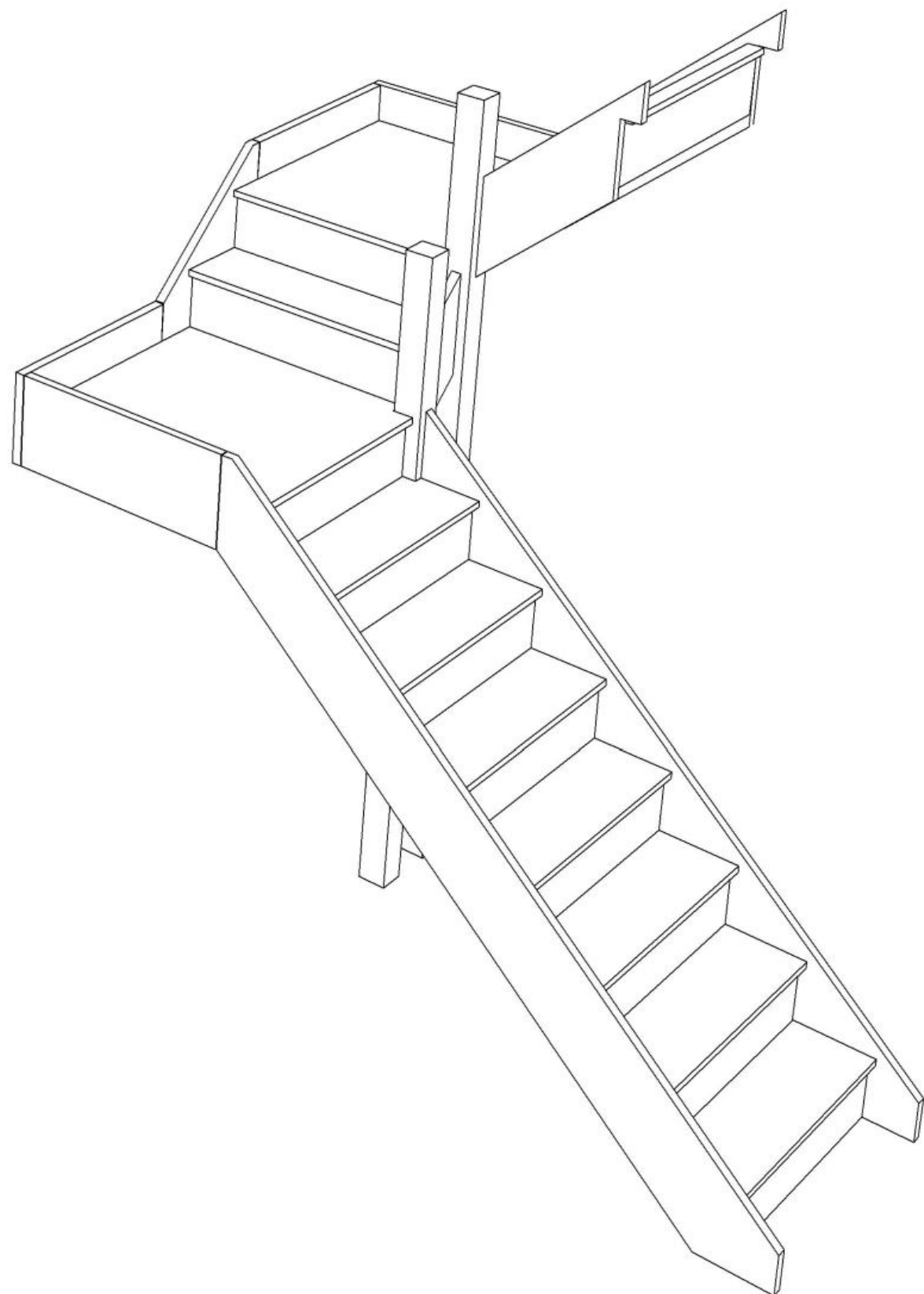




Stair:S6QLQL4N-RH





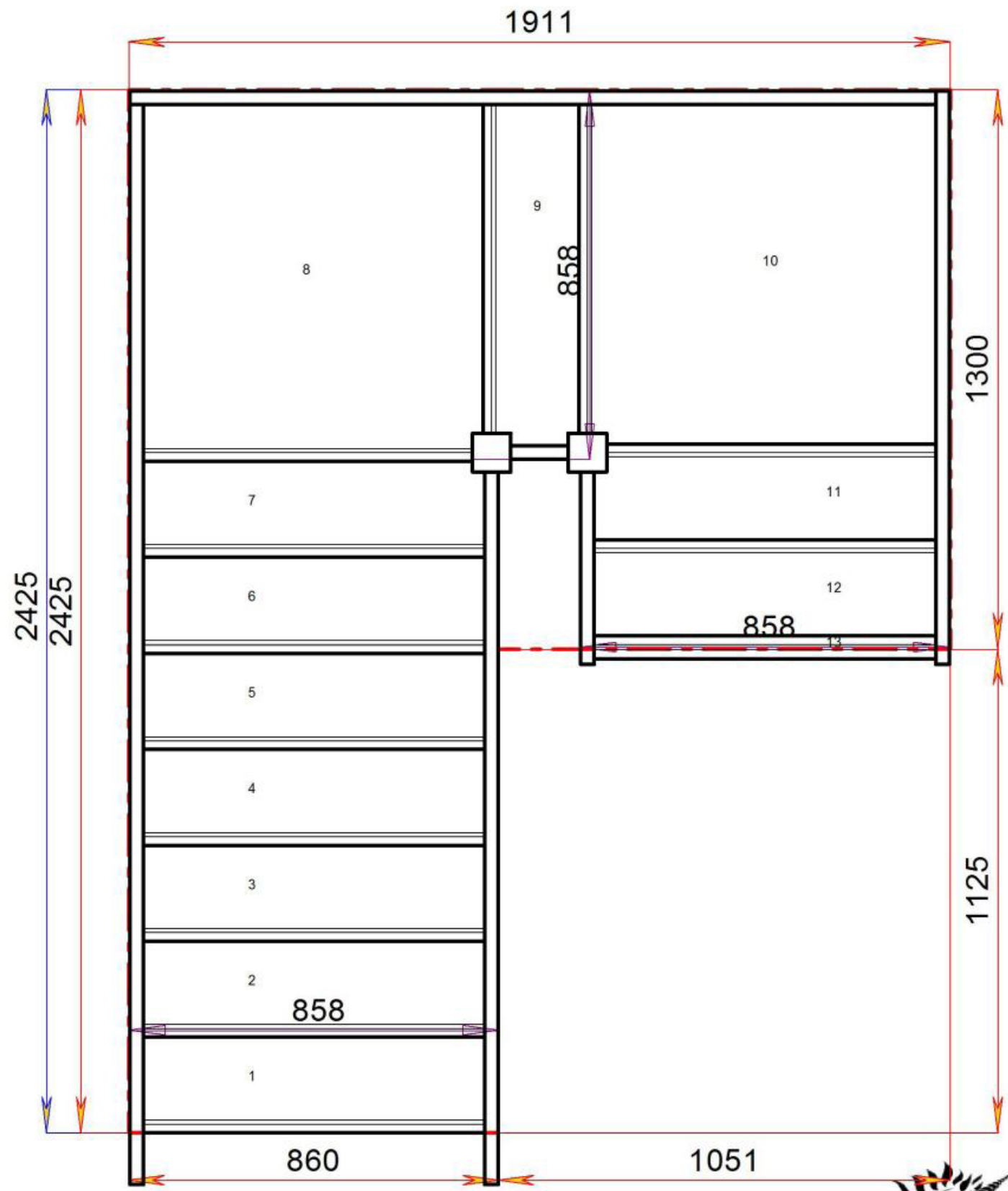


Stair:S7QL1QL2N-RH



### Stair Layouts-D QL

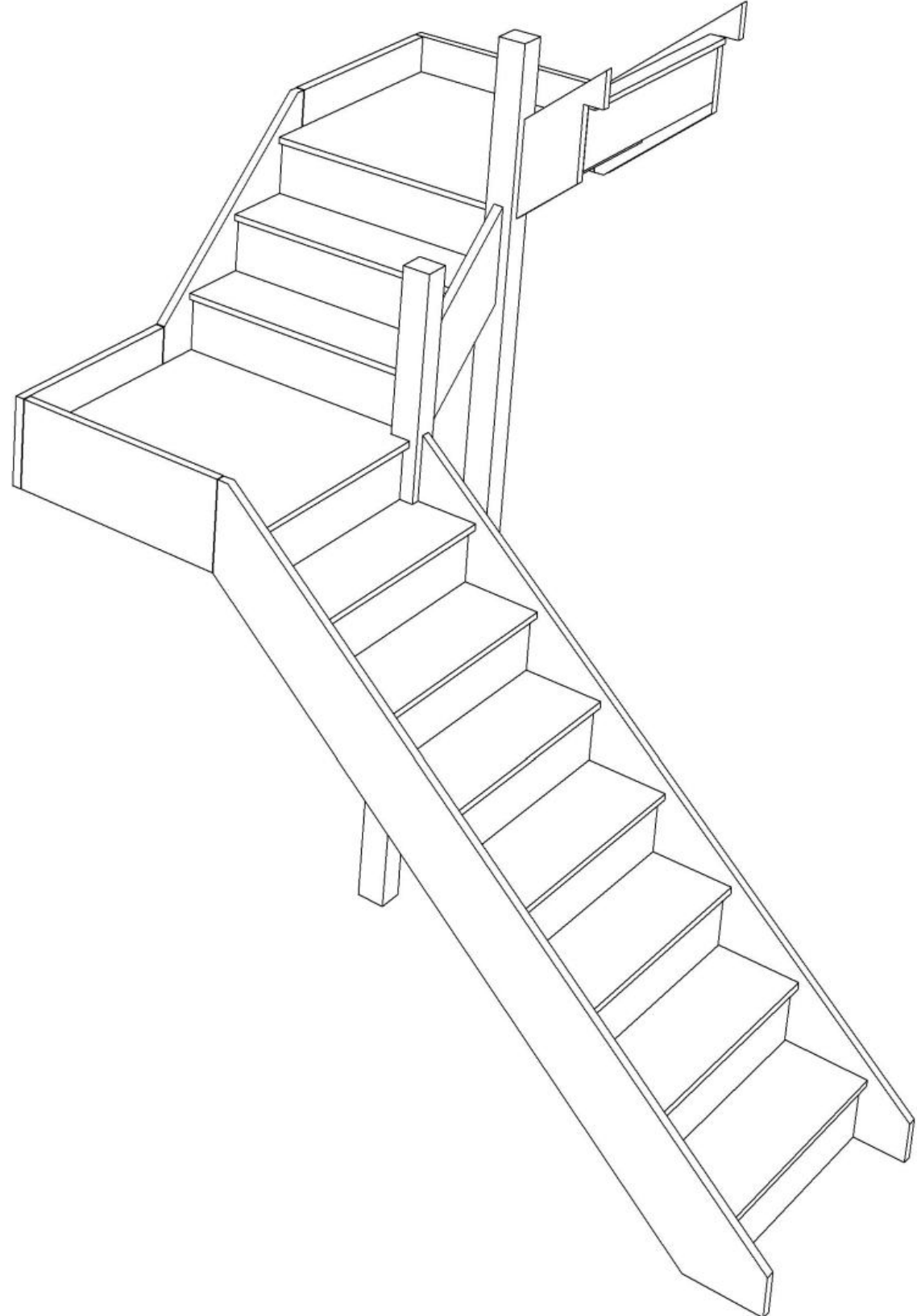
### S7QL1QL2N-RH



Floor to floor height

2600.000 mm



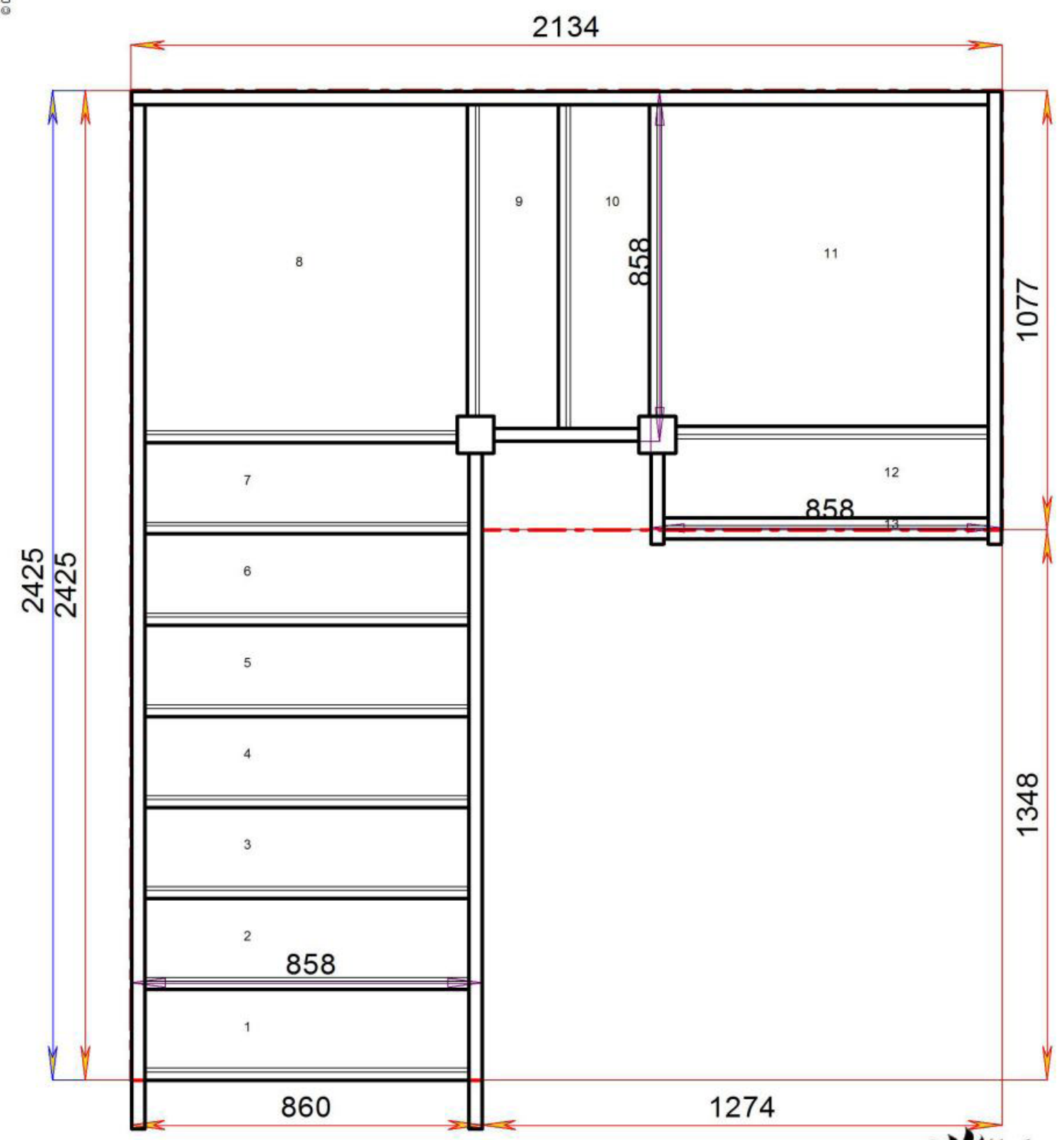


Stair:S7QL2QL1N-RH



### Stair Layouts-D QL

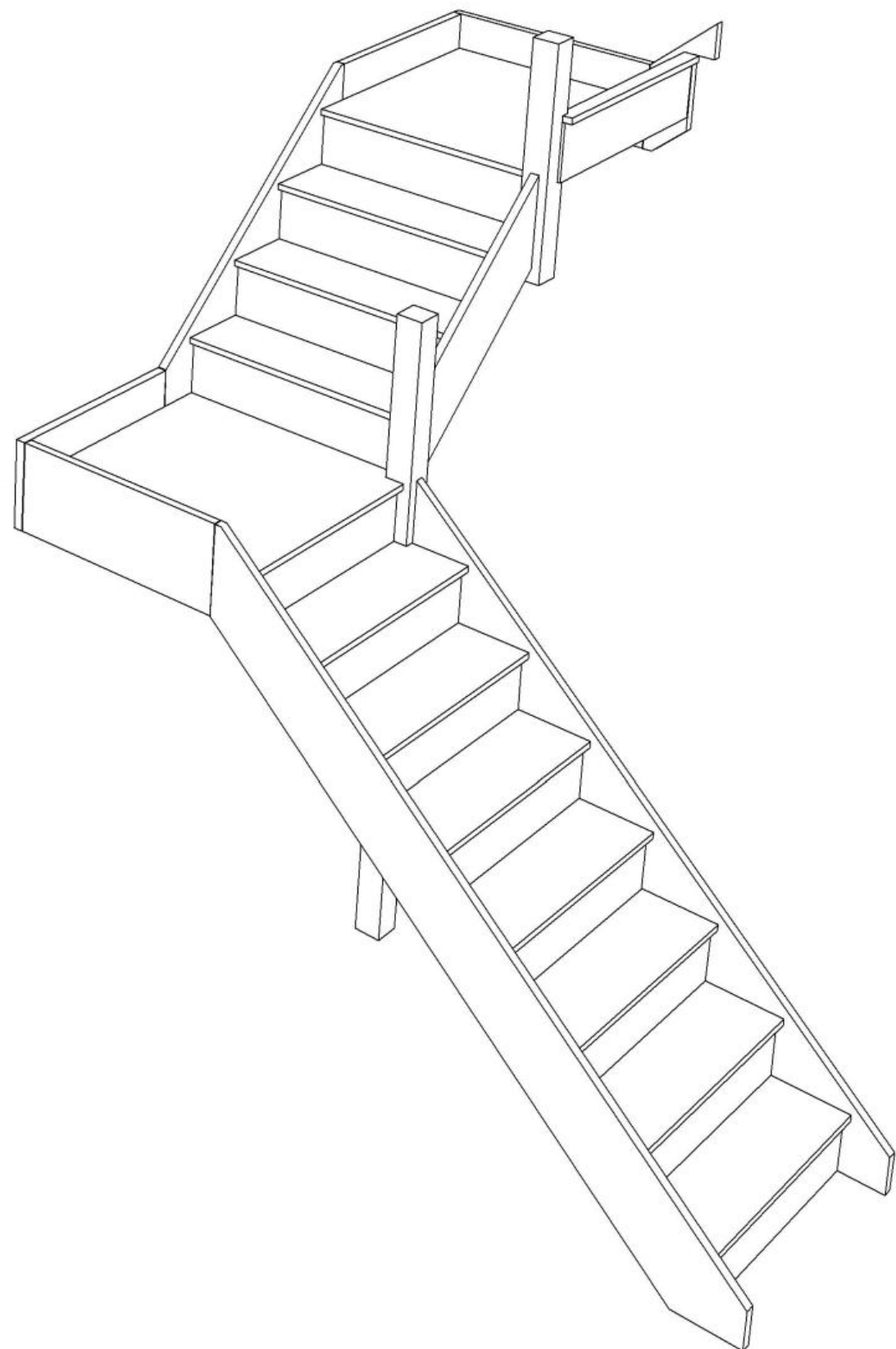
### S7QL2QL1N-RH



Floor to floor height 2600.000 mm



© 08090632B/11035



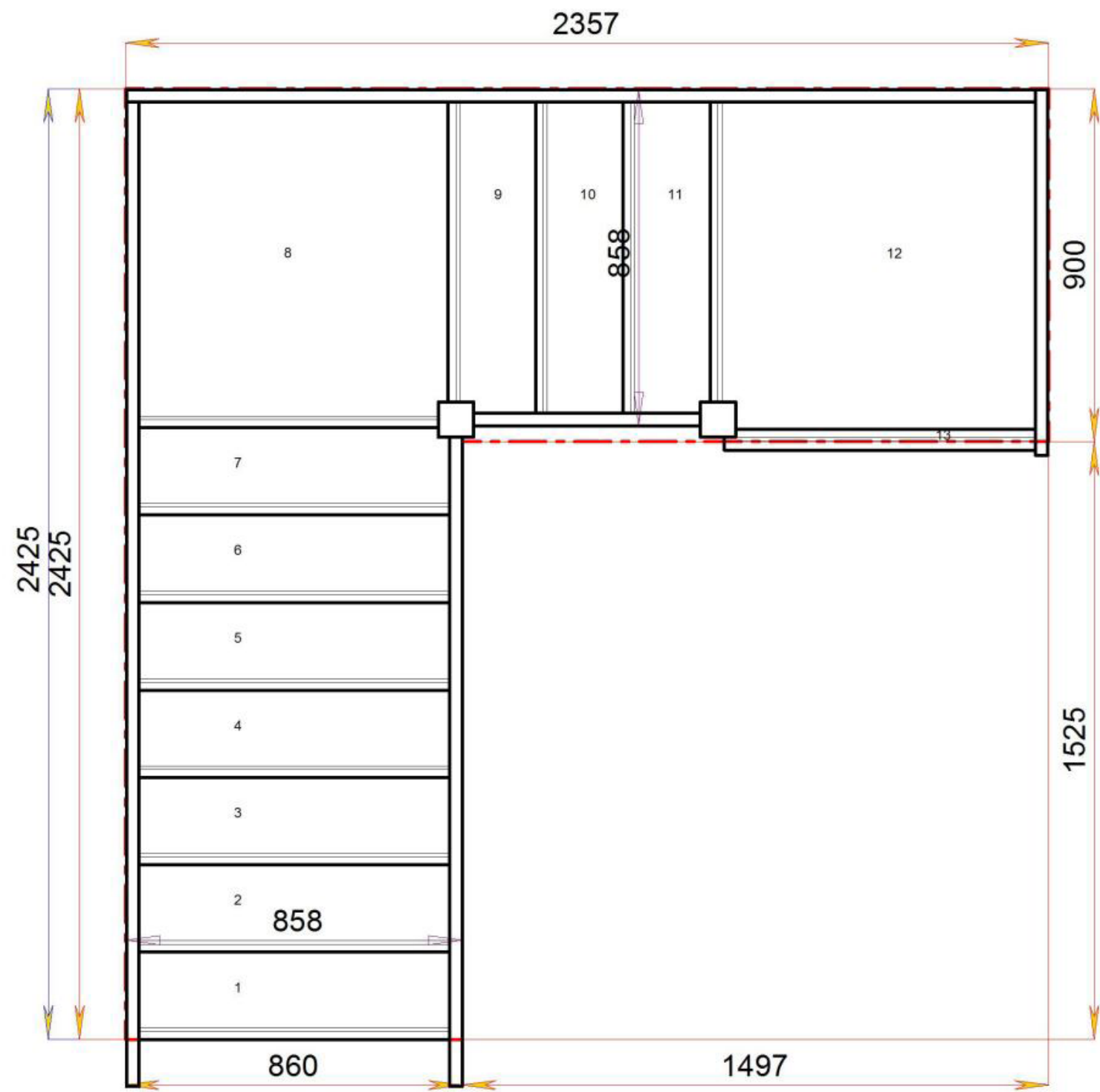
Stair:S7QL3QLN-RH



© 08090632B/11035

### Stair Layouts-D QL

### S7QL3QLN-RH

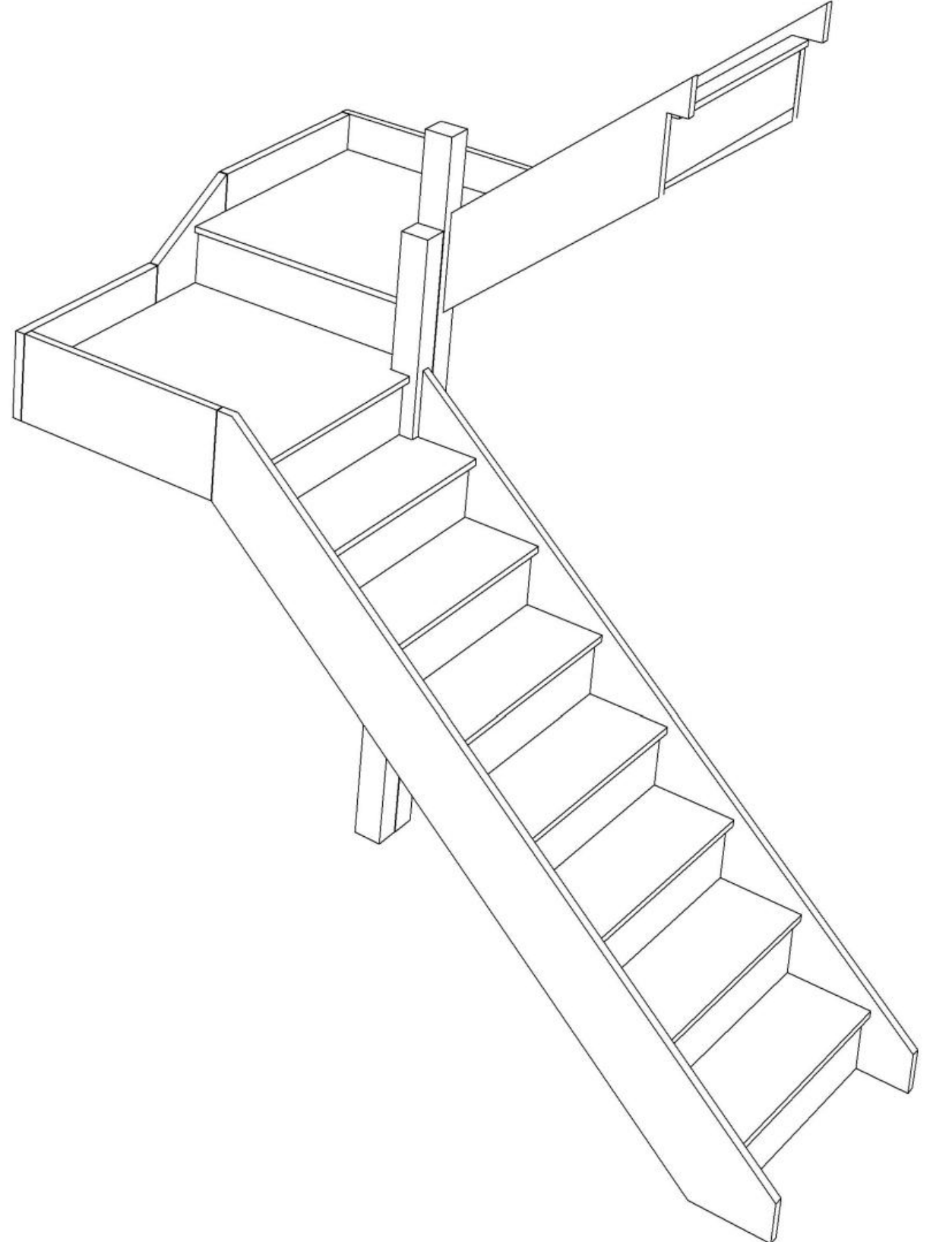


Floor to floor height

2600.000 mm





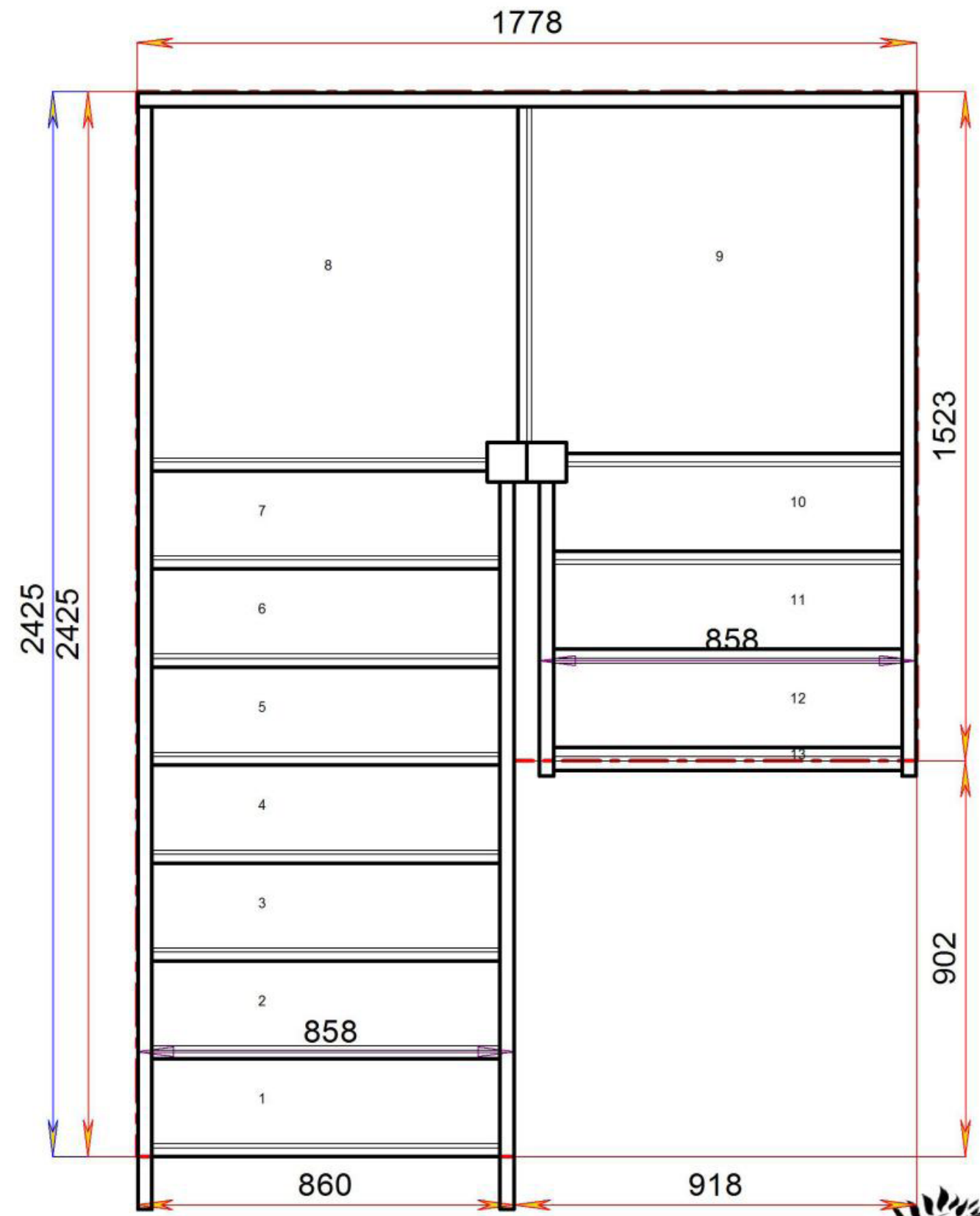


Stair:S7QLQL3N-RH



### Stair Layouts-D QL

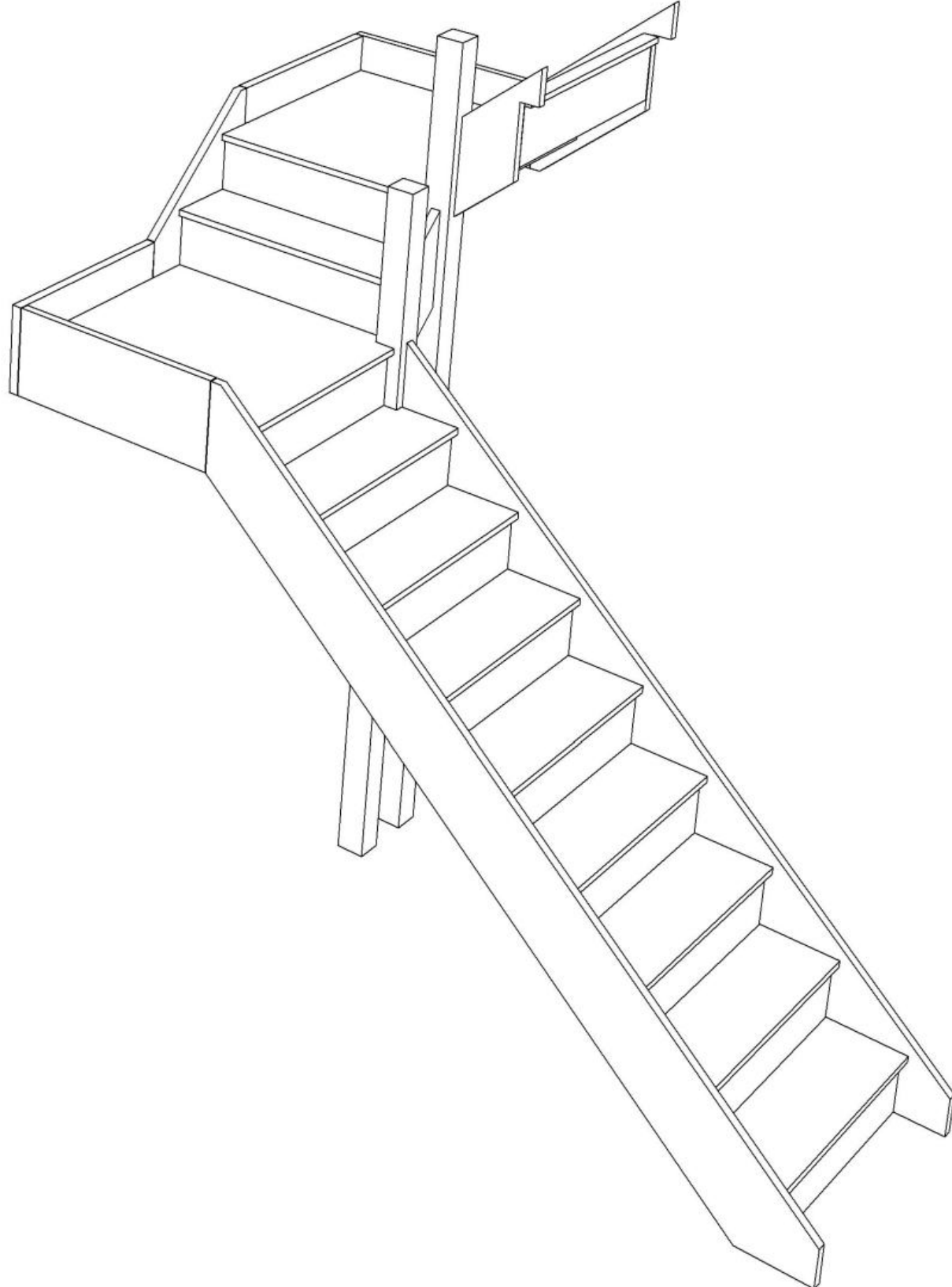
### S7QLQL3N-RH



Floor to floor height

2600.000 mm



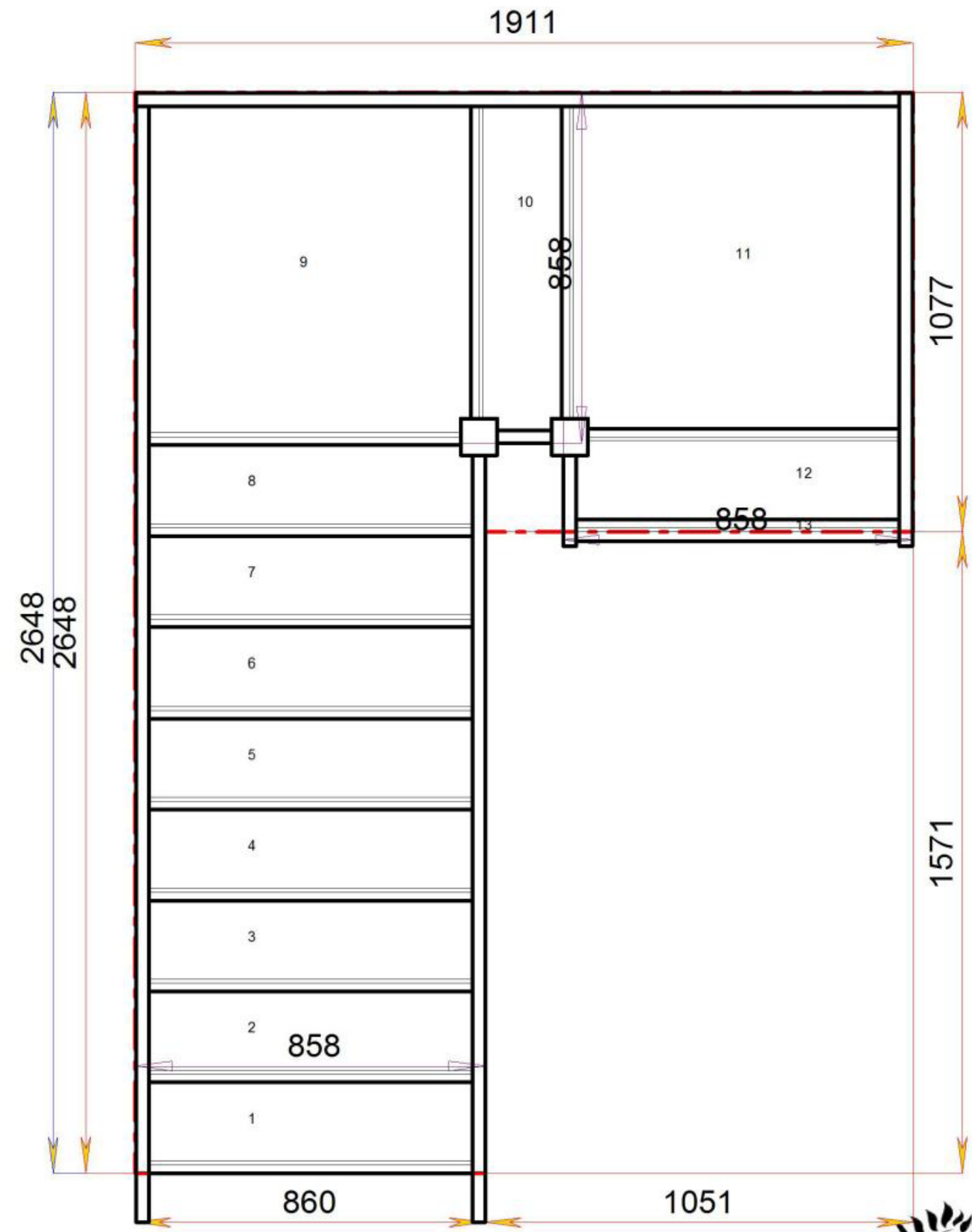


Stair:S8QL1QL1N-RH



### Stair Layouts-D QL

### S8QL1QL1N-RH

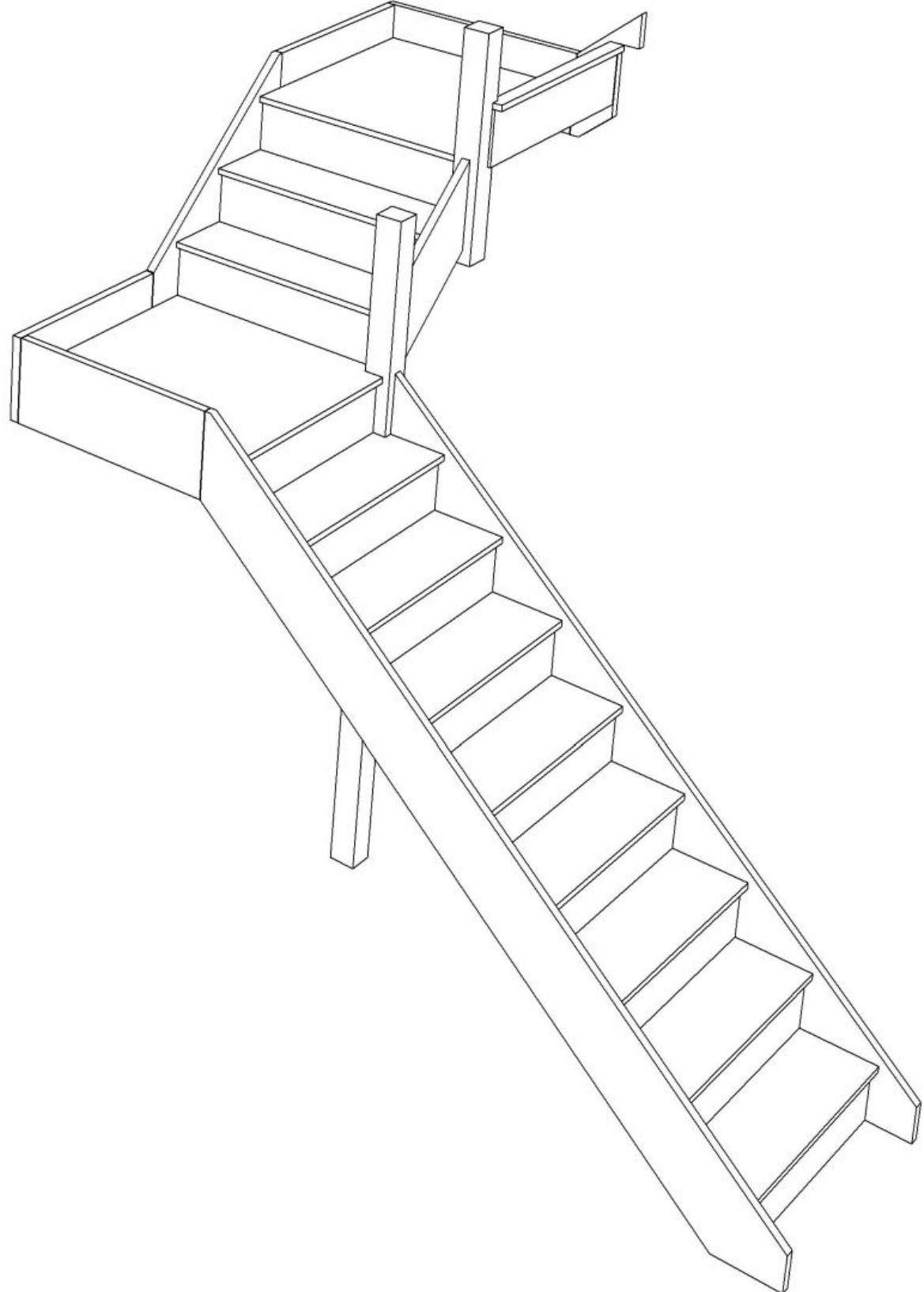


Floor to floor height

2600.000 mm



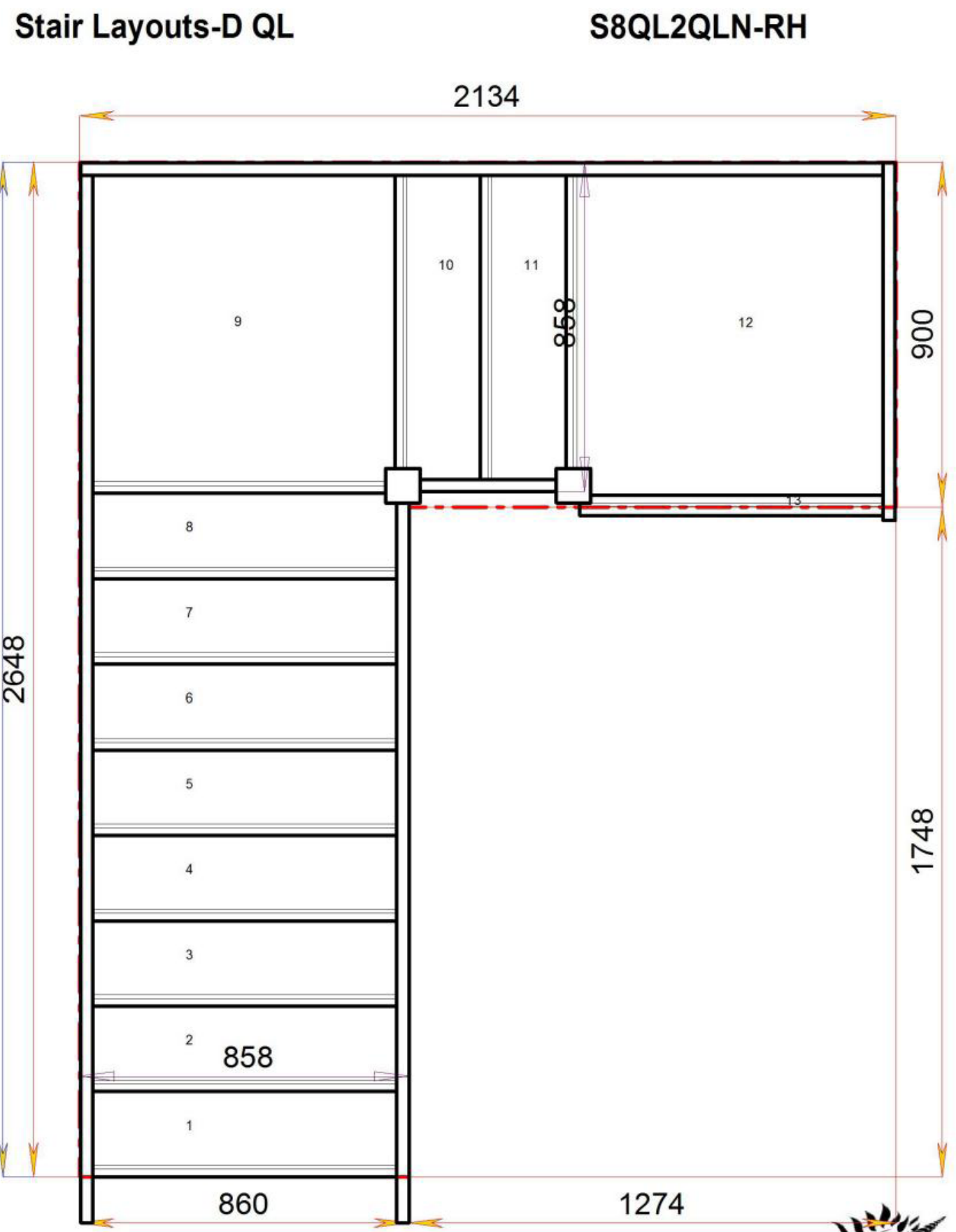
© 08090632B/11035



Stair:S8QL2QLN-RH



© 08090632B/11035



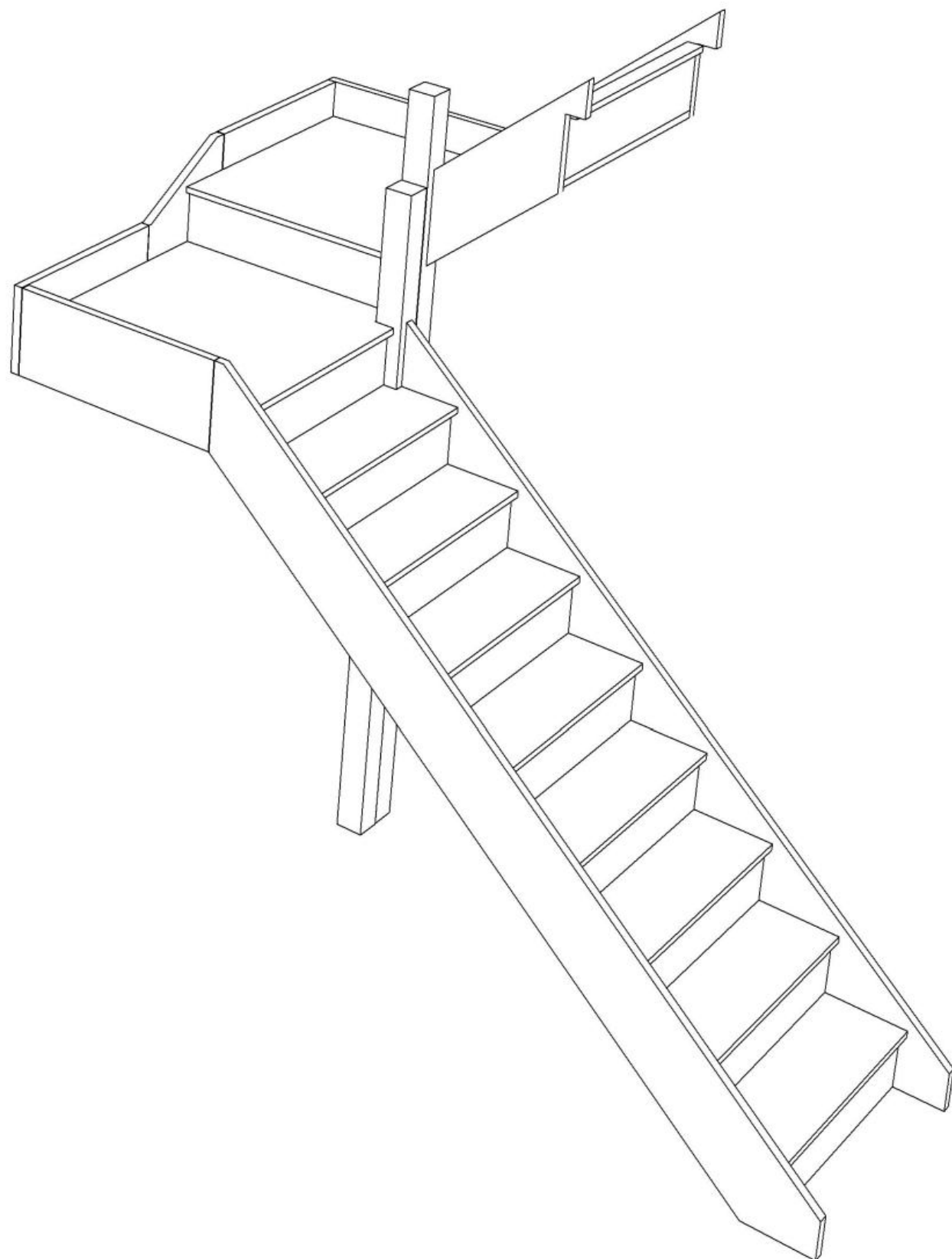
Floor to floor height

2600.000 mm





© 08090632B/11035



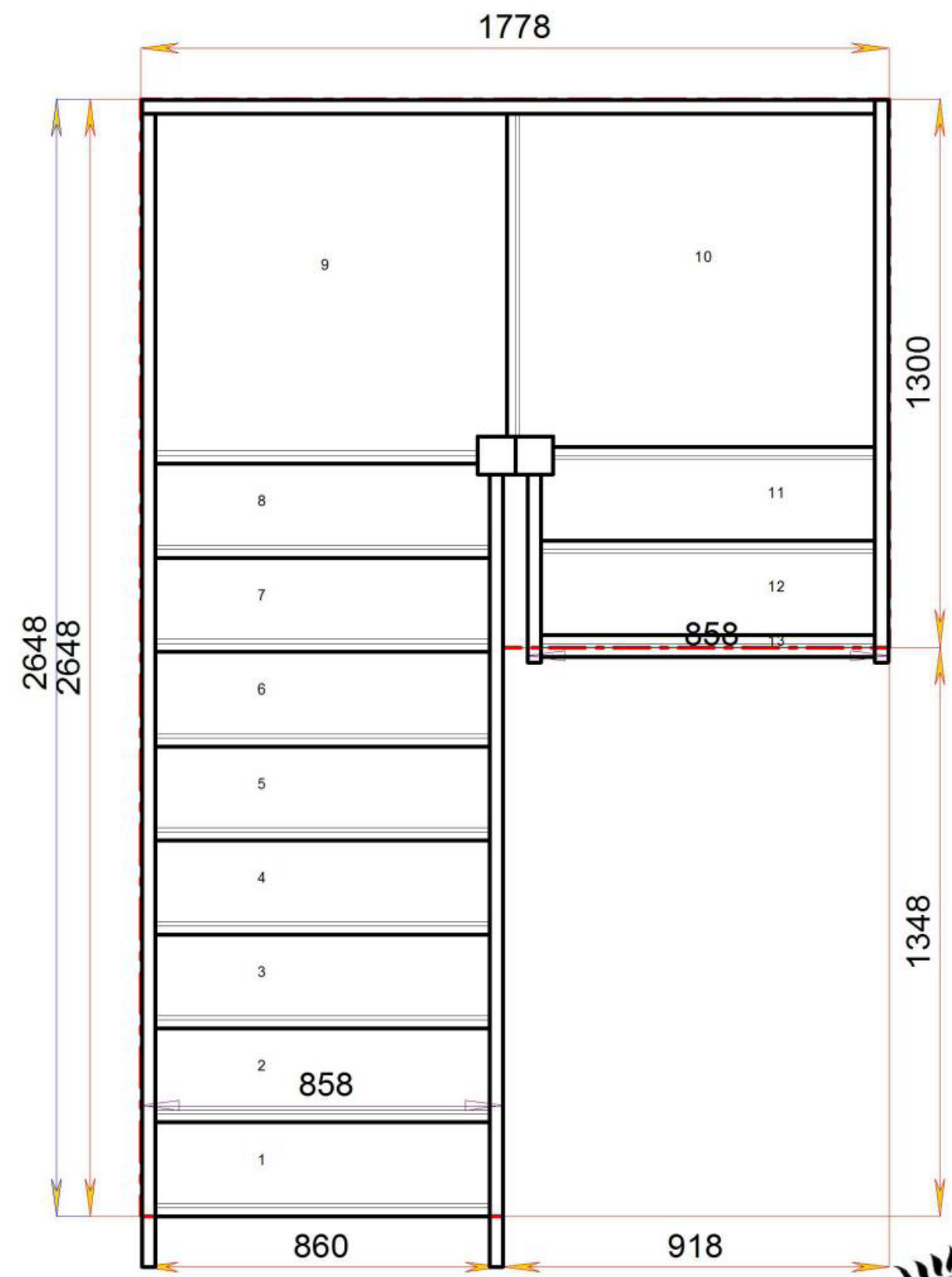
Stair:S8QLQL2N-RH



© 08090632B/11035

### Stair Layouts-D QL

### S8QLQL2N-RH



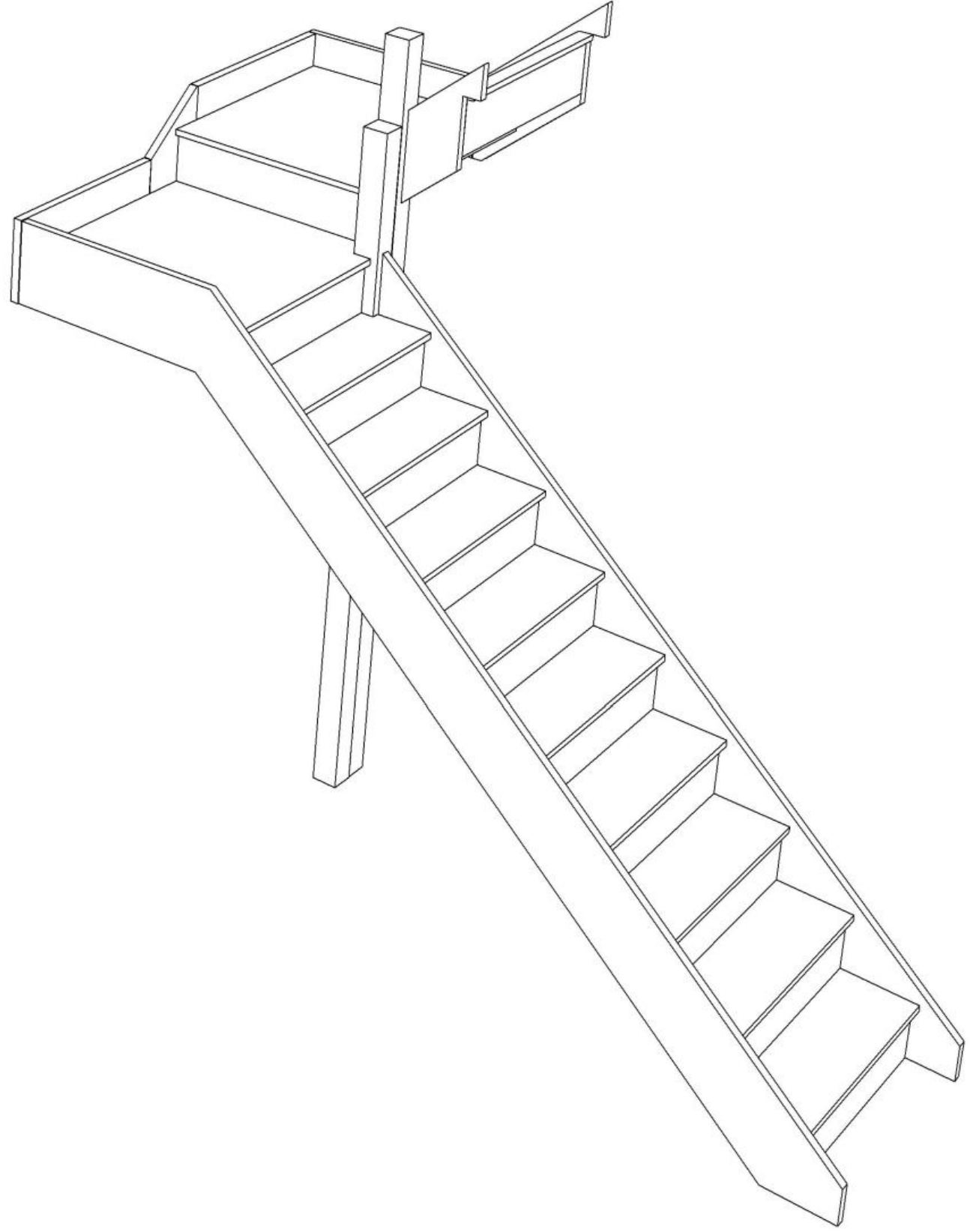
Floor to floor height

2600.000 mm





© 08090632B/11035



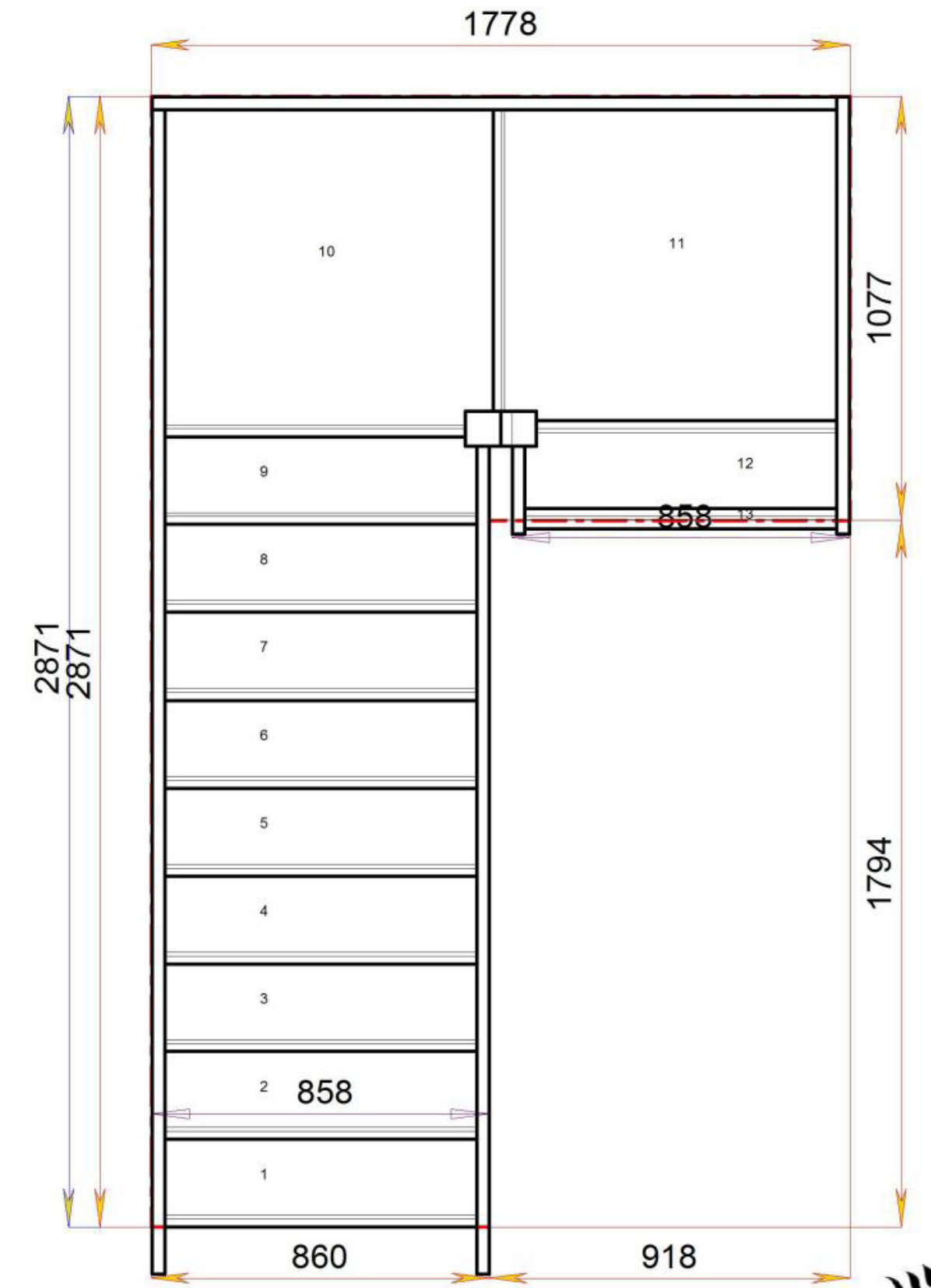
Stair:S9QLQL1N-RH



© 08090632B/11035

### Stair Layouts-D QL

### S9QLQL1N-RH



Floor to floor height

2600.000 mm



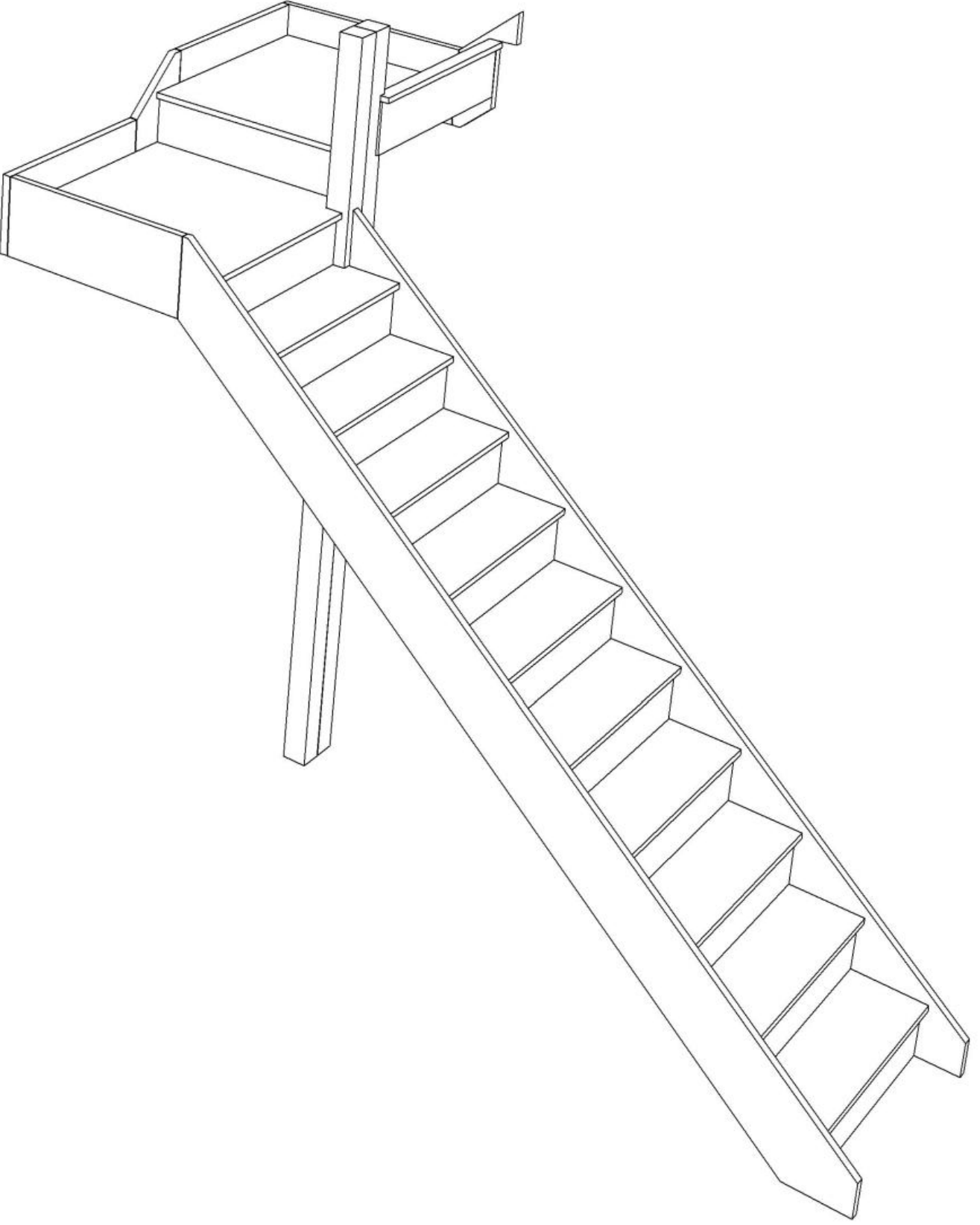


© 08090632B/11035

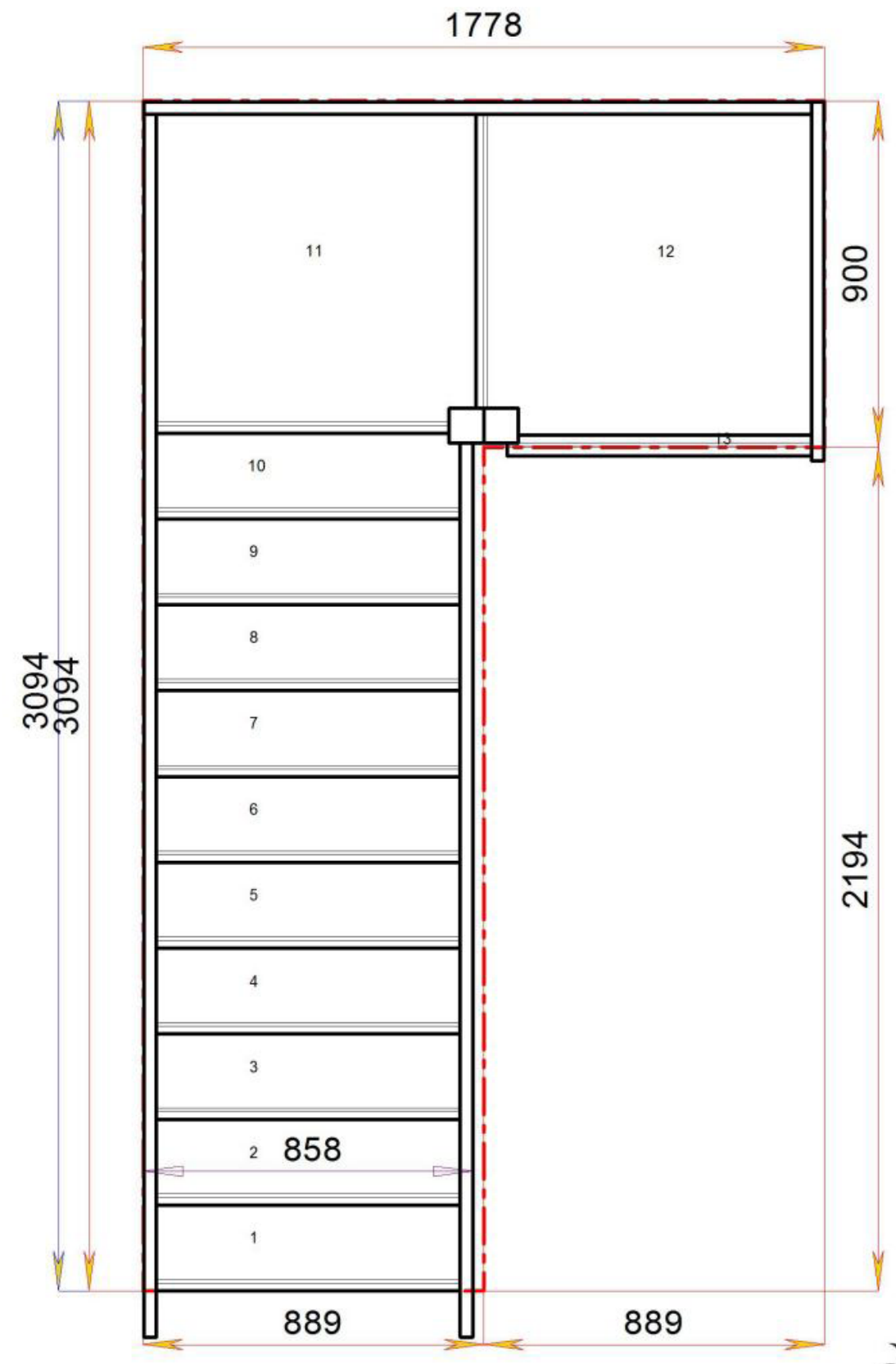
© 08090632B/11035

### Stair Layouts-D QL

### S10QLQLN-RH



Stair:S10QLQLN-RH



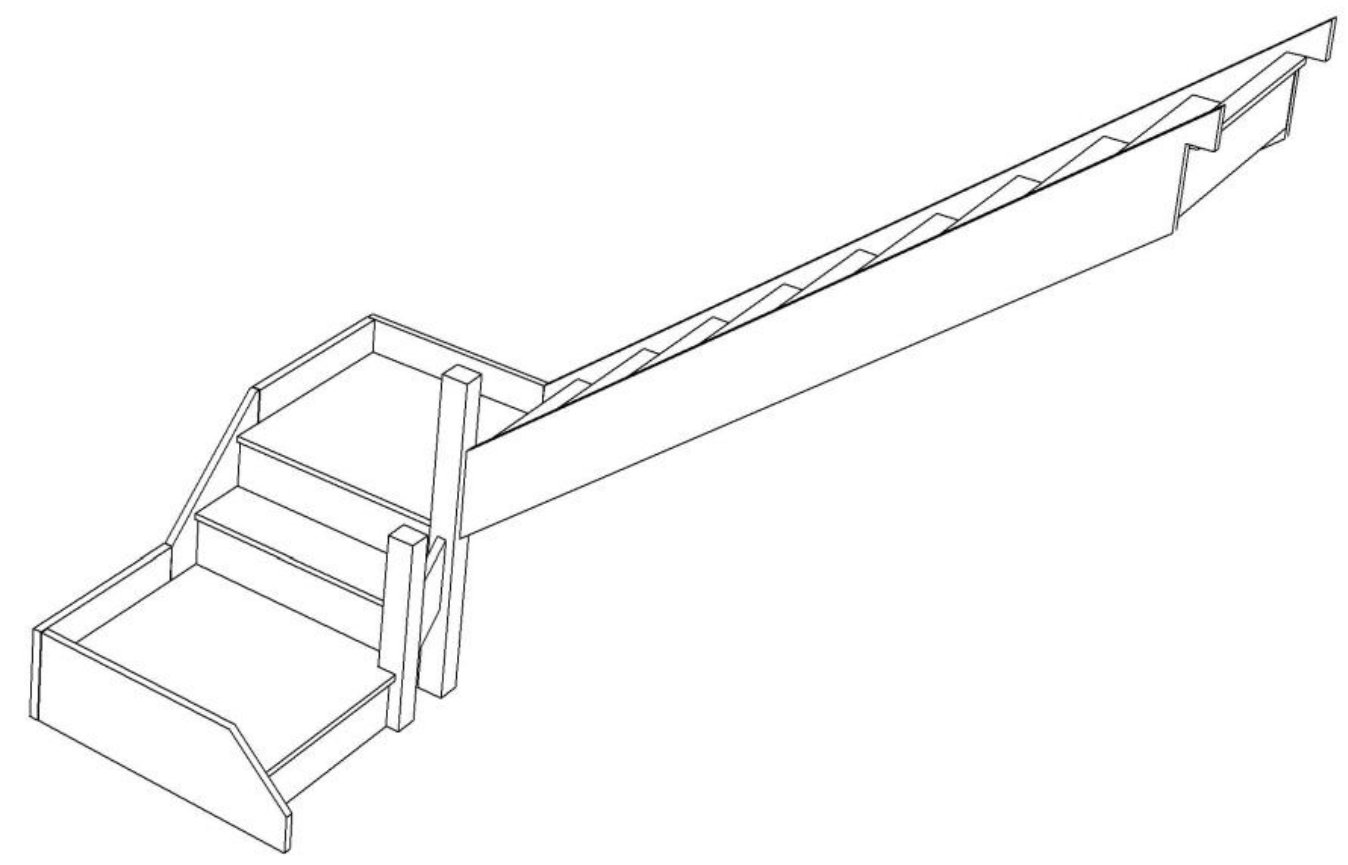
Floor to floor height

2600.000 mm

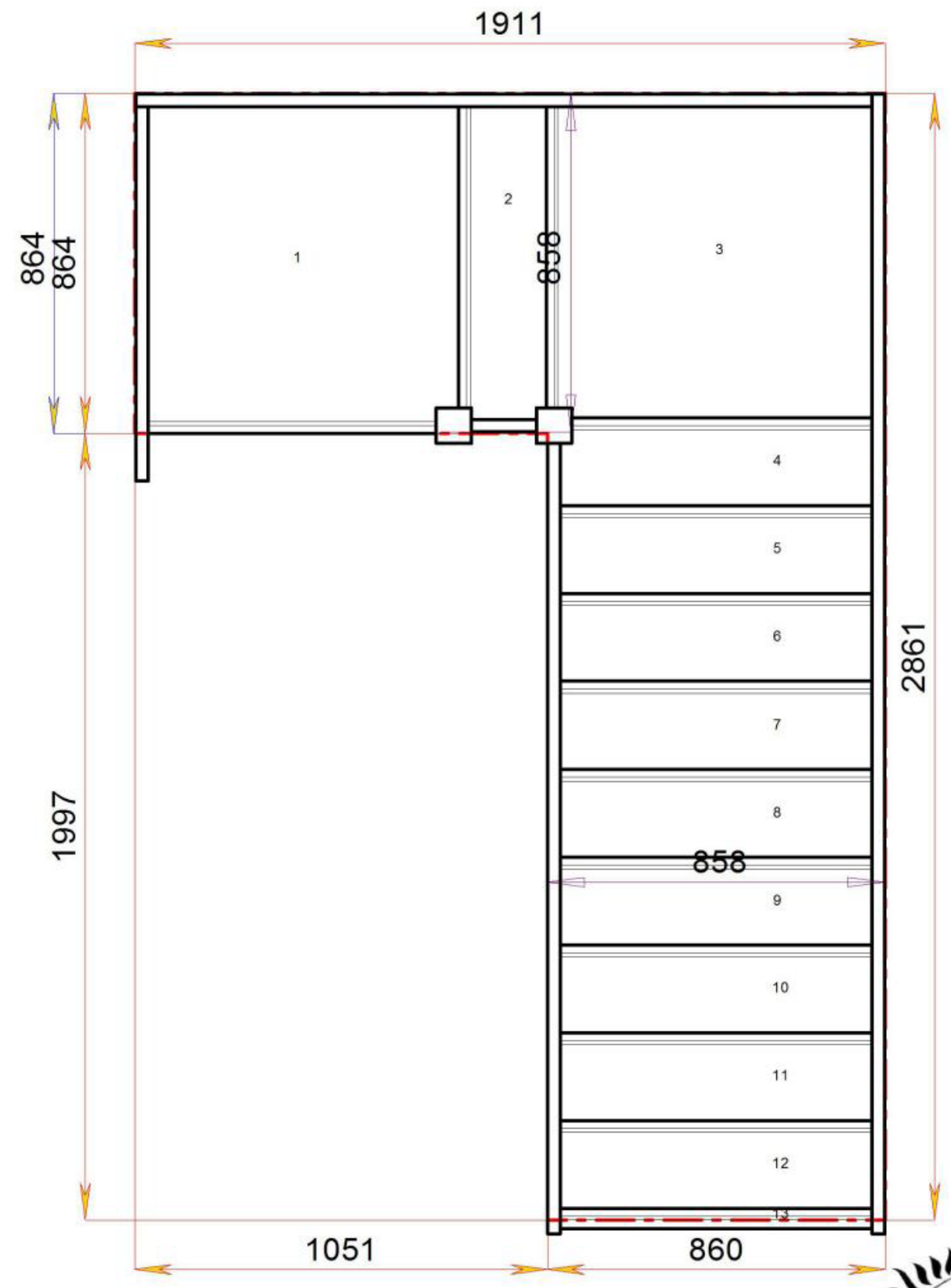


### Stair Layouts-D QL

### SQL1QL9N-RH



Stair:SQL1QL9N-RH



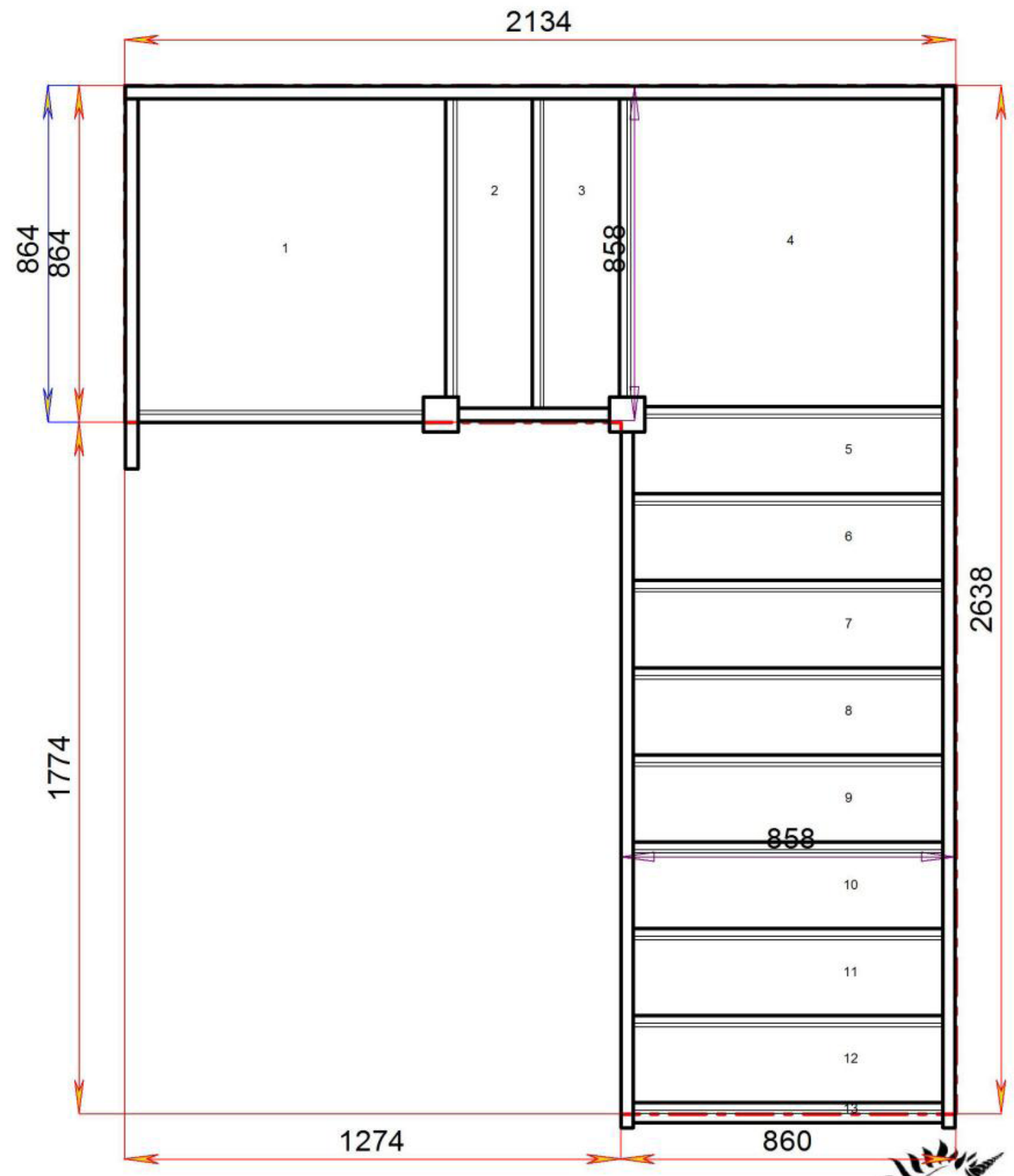
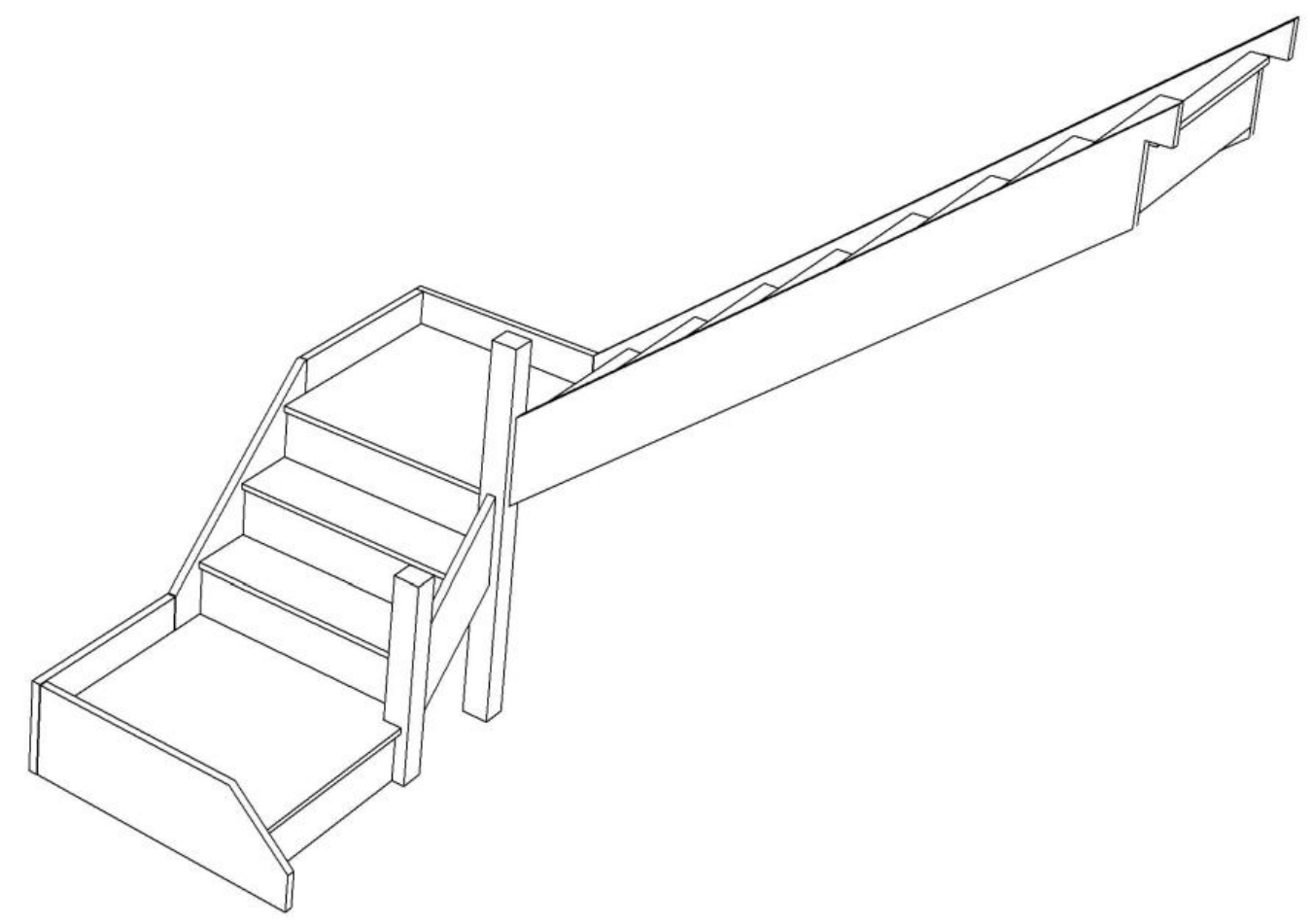
Floor to floor height

2600.000 mm



### Stair Layouts-D QL

### SQL2QL8N-RH



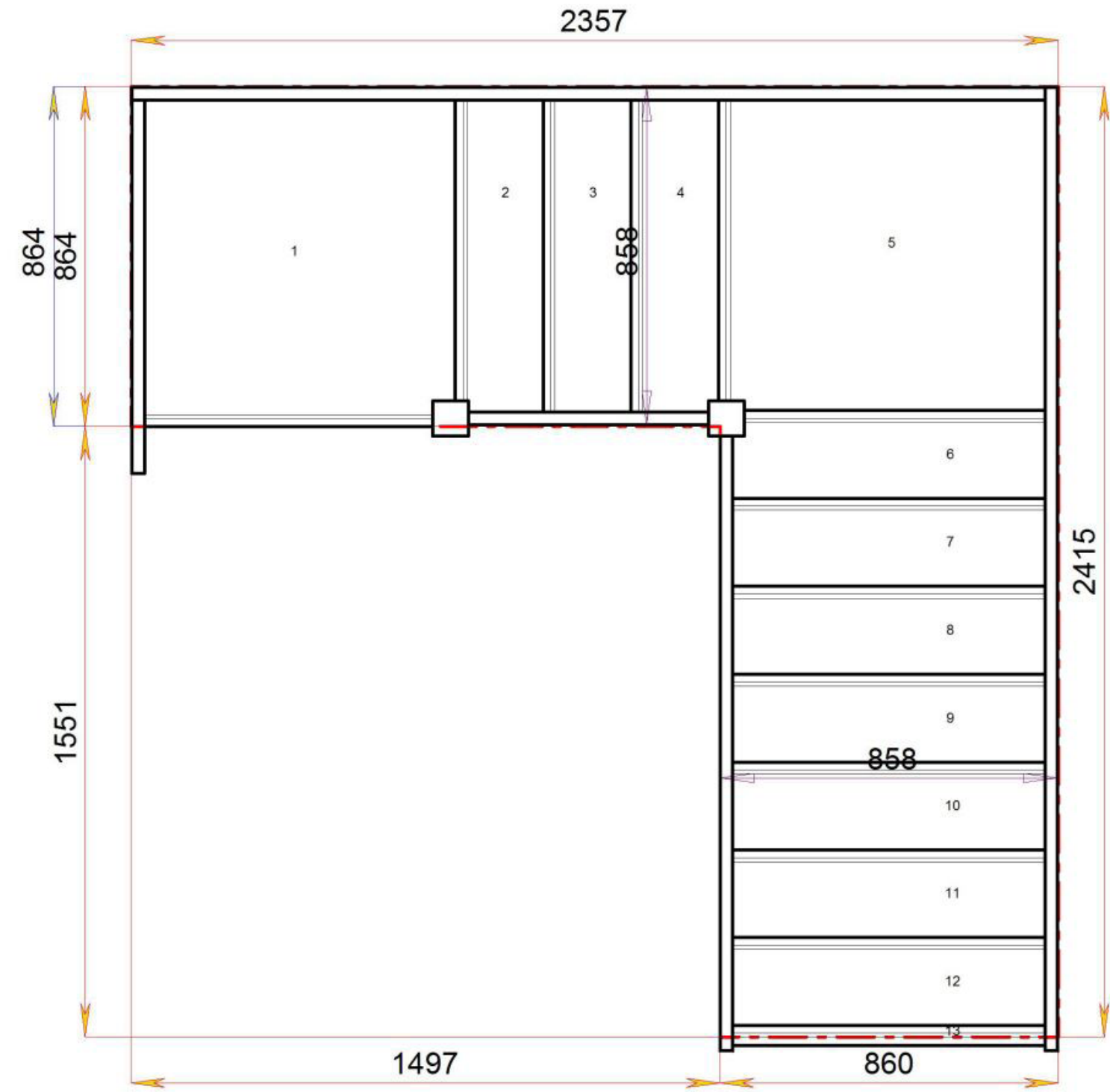
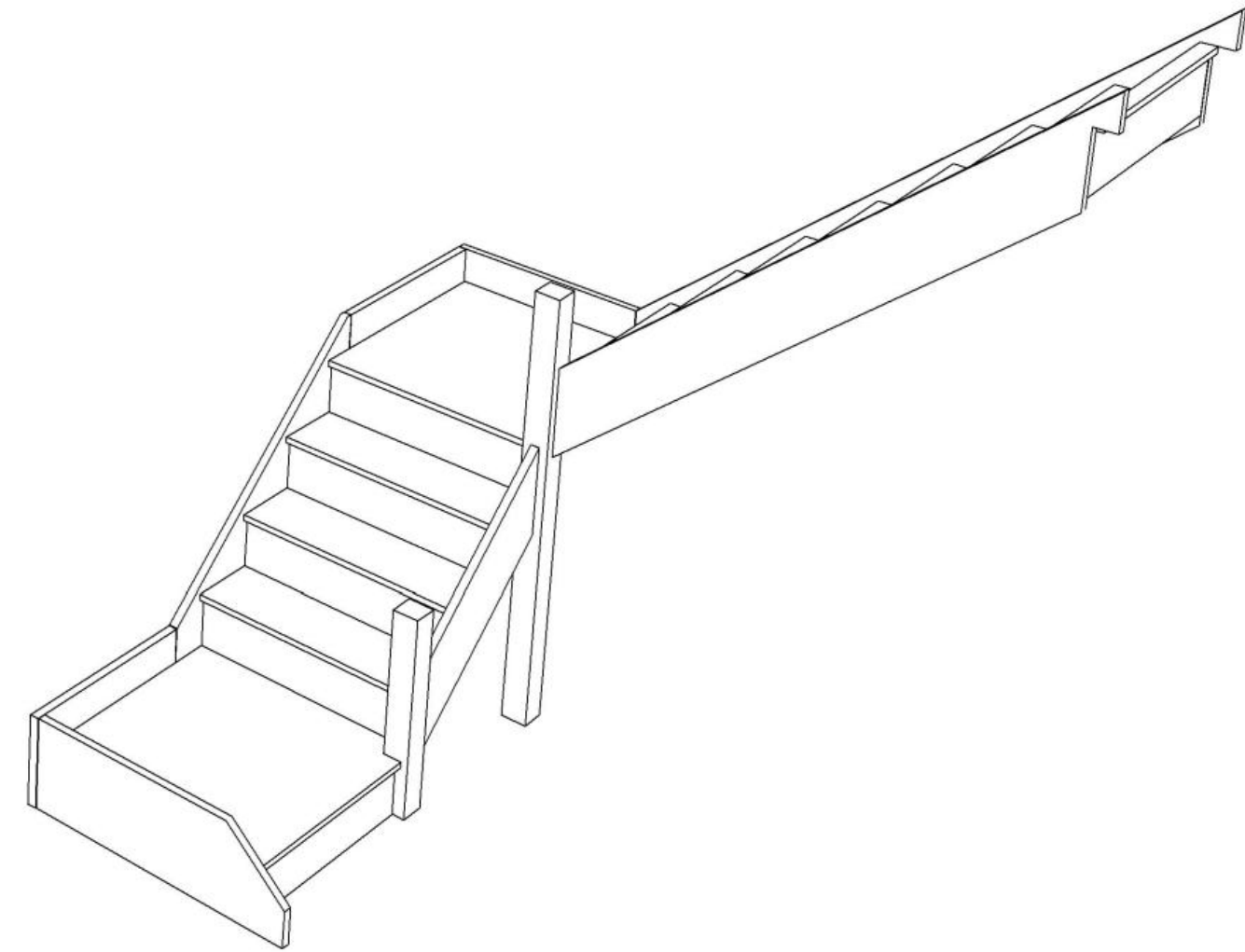
Stair:SQL2QL8N-RH





### Stair Layouts-D QL

### SQL3QL7N-RH



Stair:SQL3QL7N-RH



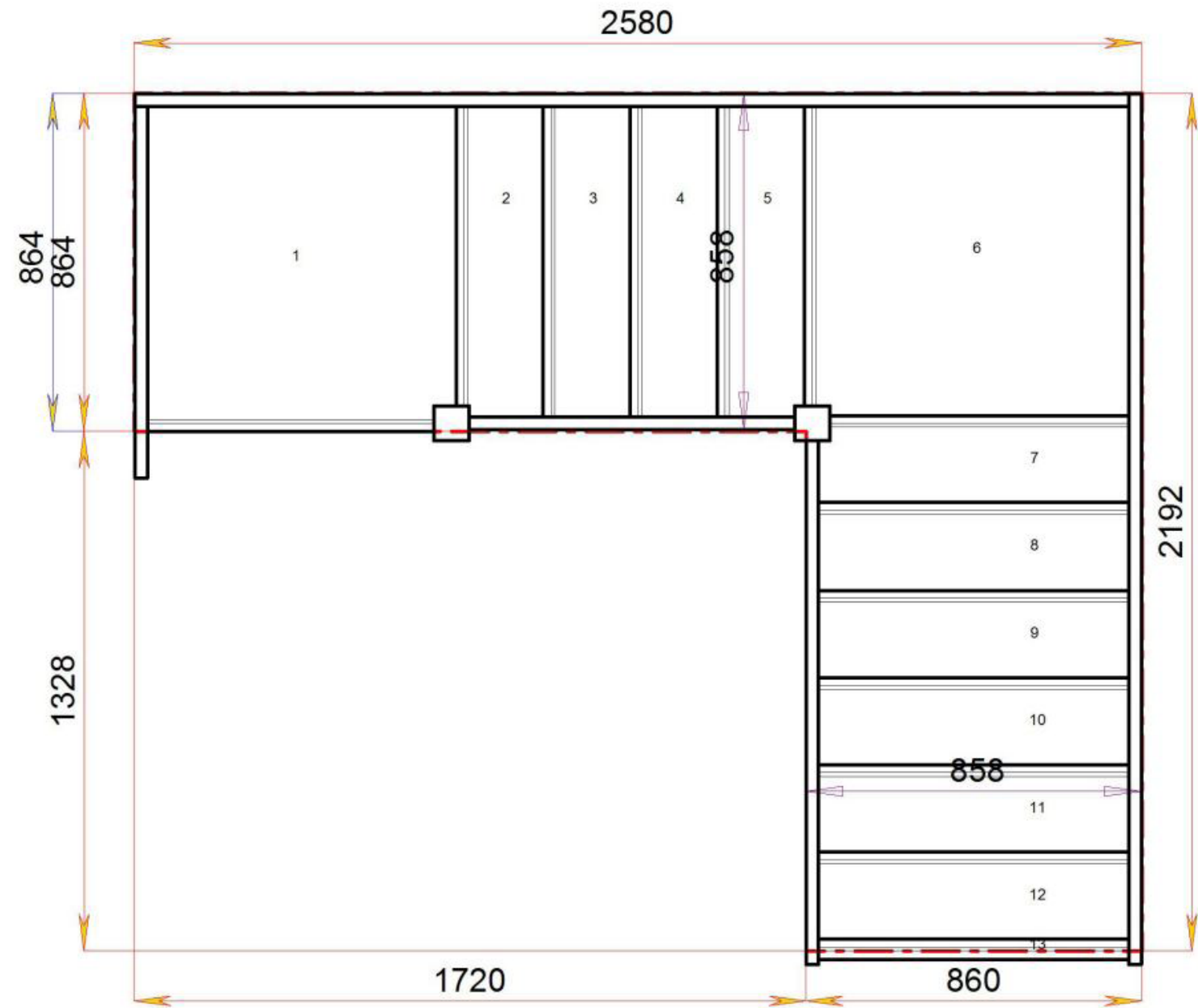
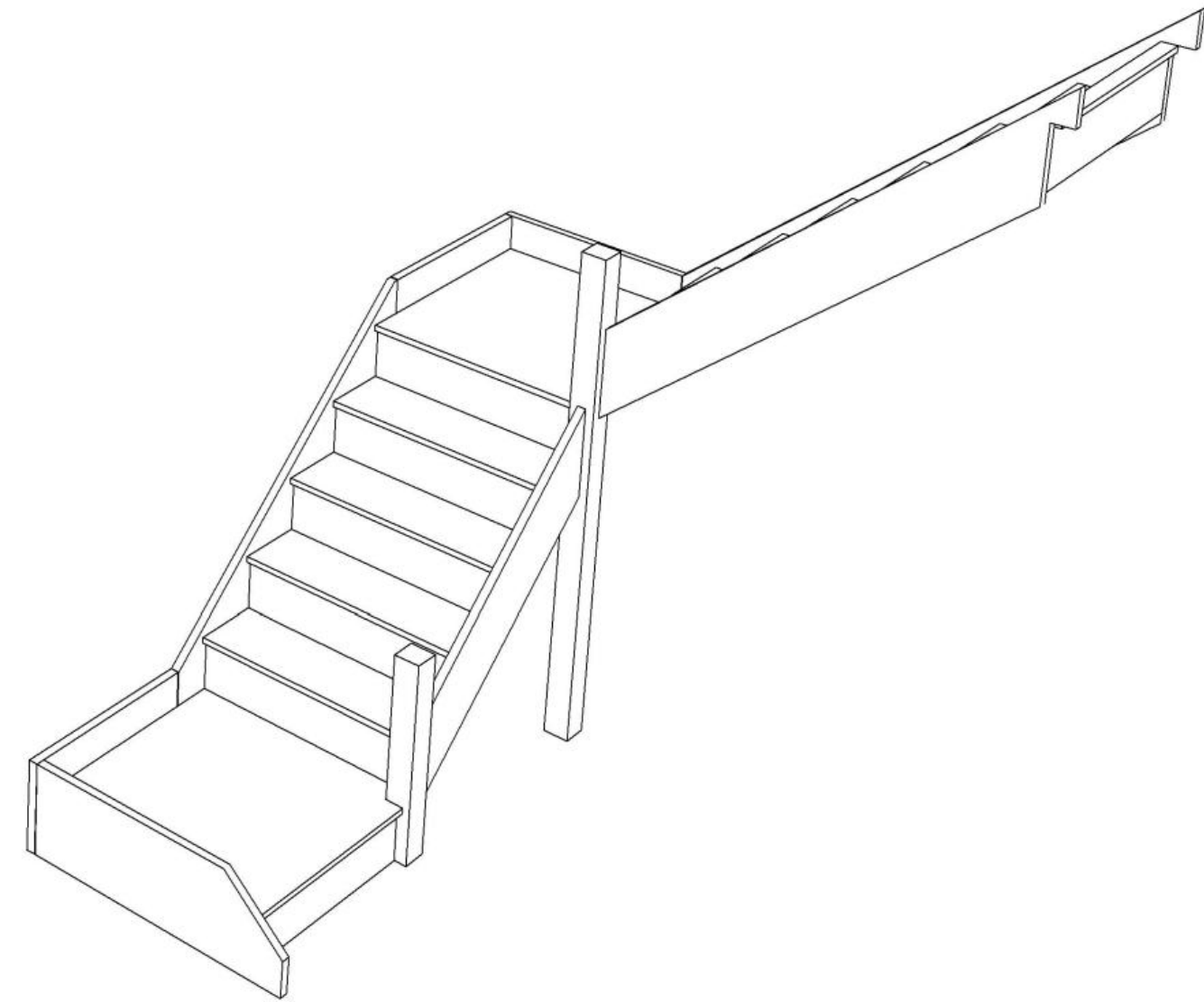
Floor to floor height

2600.000 mm



### Stair Layouts-D QL

### SQL4QL6N-RH



Stair:SQL4QL6N-RH



Floor to floor height

2600.000 mm

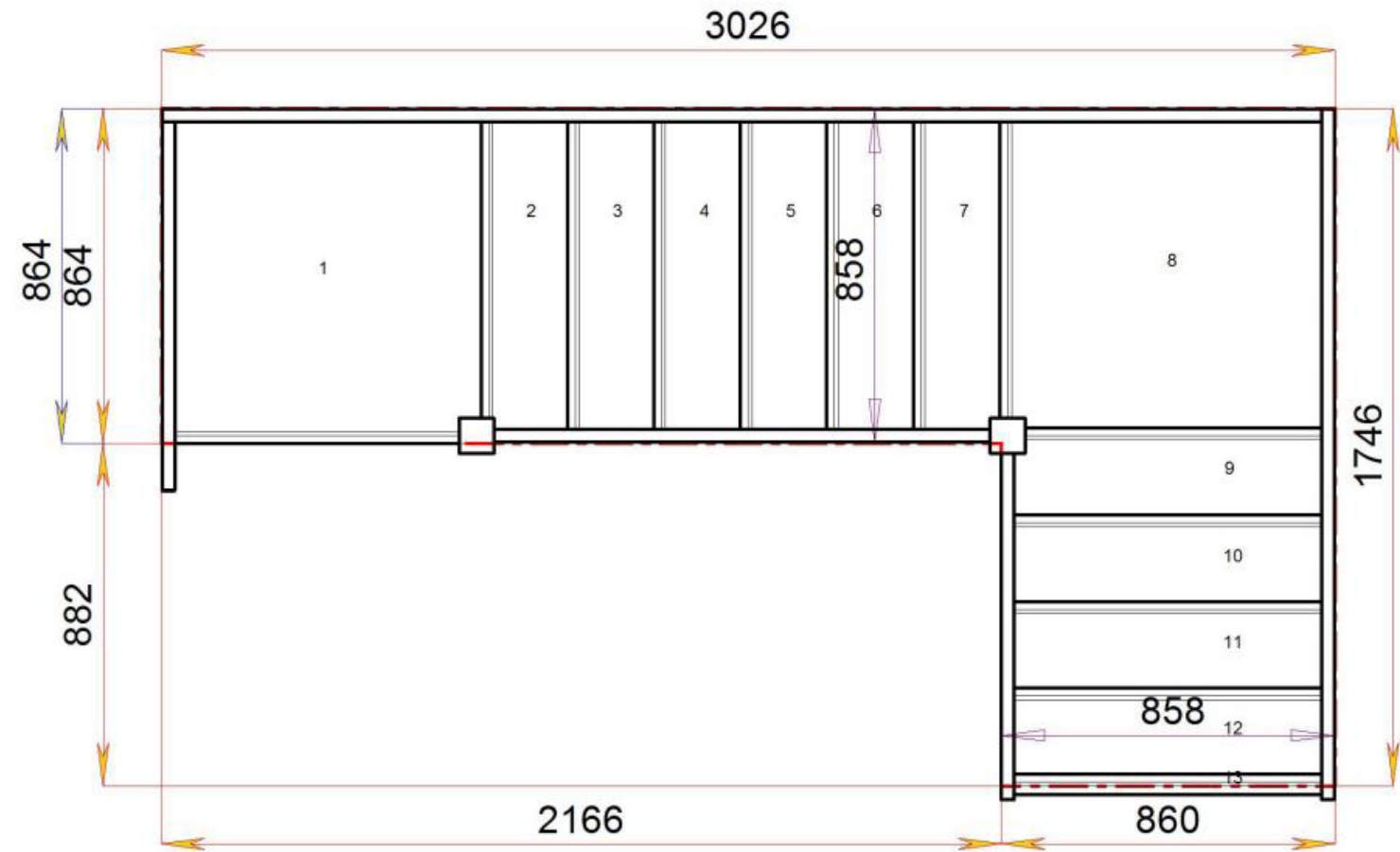
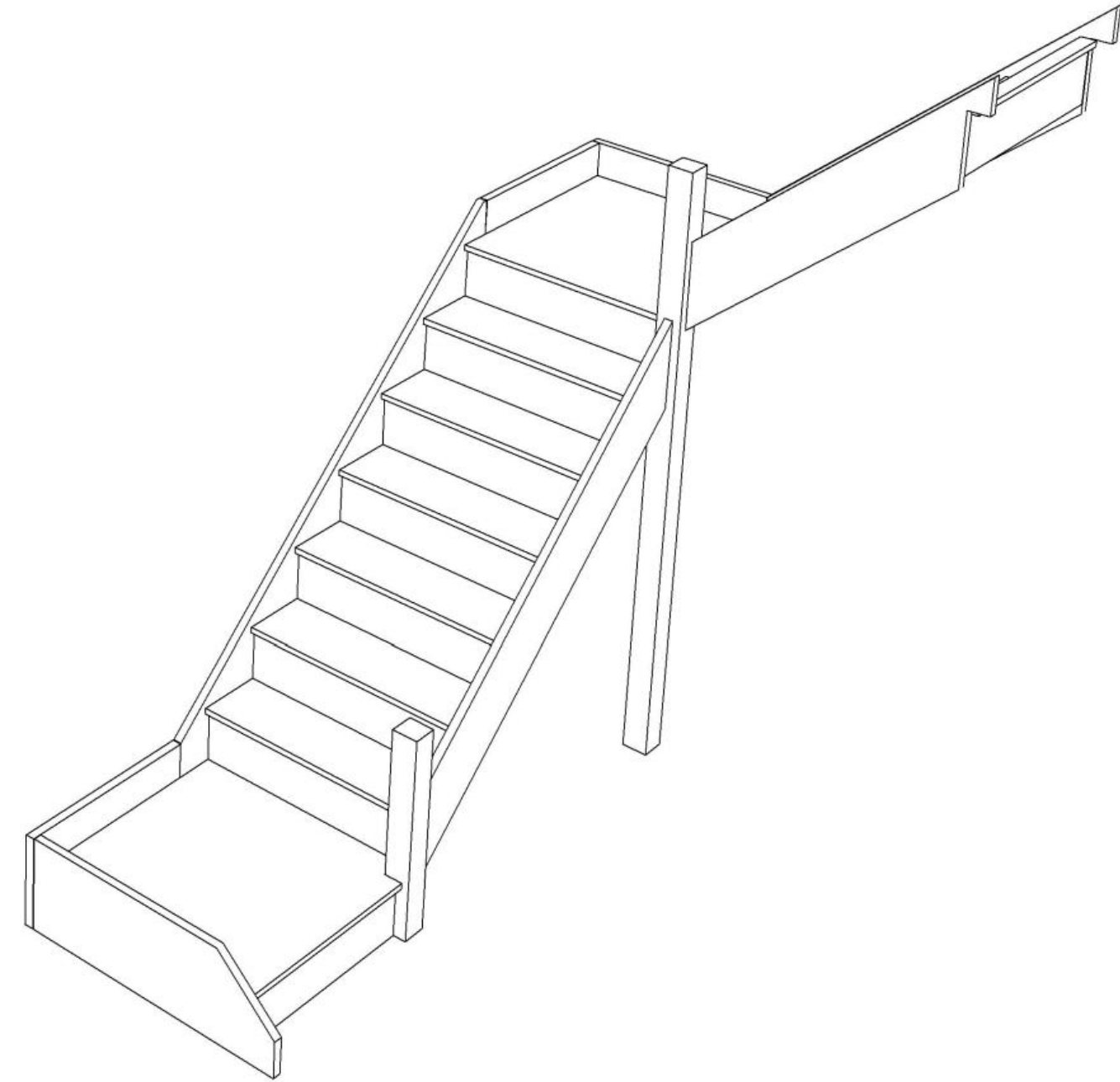






### Stair Layouts-D QL

### SQL6QL4N-RH



Stair:SQL6QL4N-RH



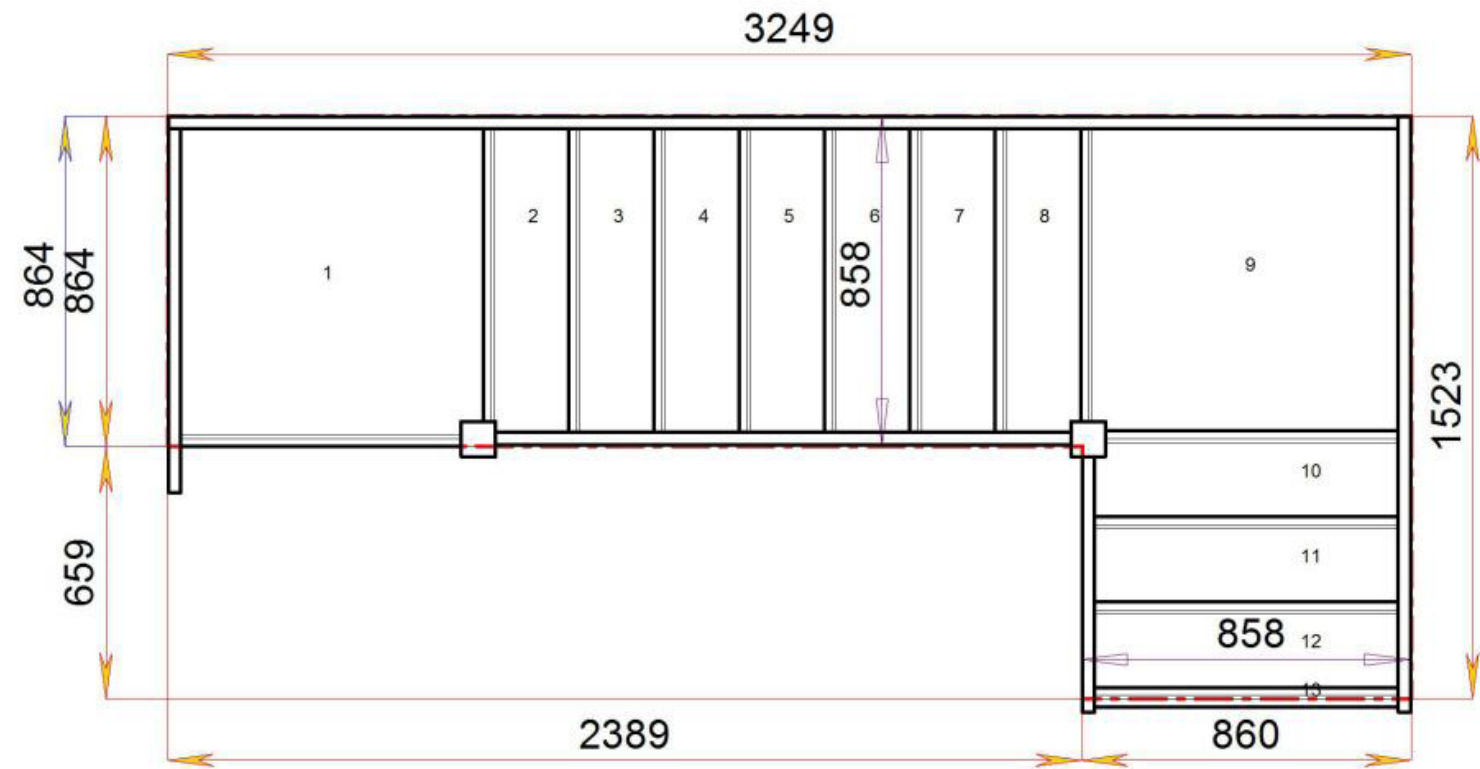
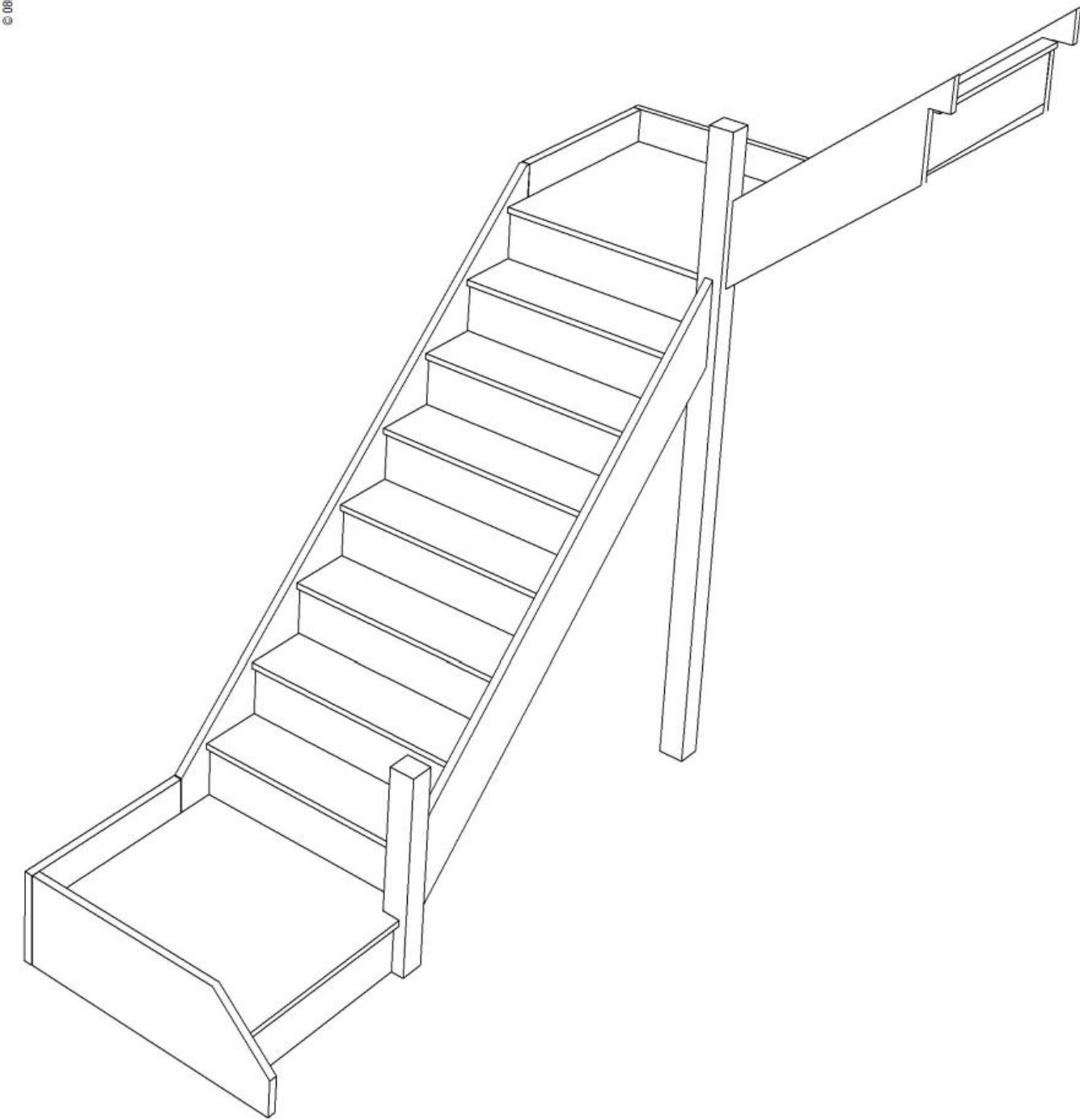
Floor to floor height

2600.000 mm



### Stair Layouts-D QL

### SQL7QL3N-RH



Stair:SQL7QL3N-RH



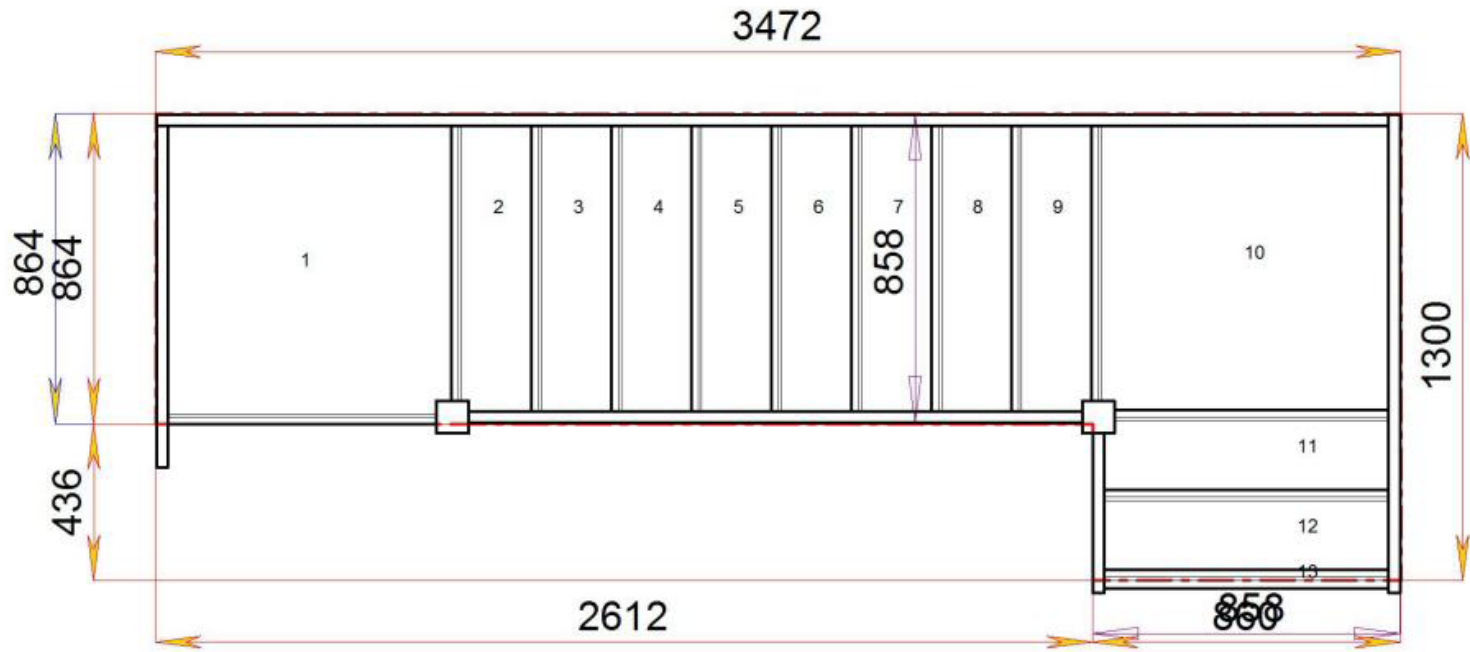
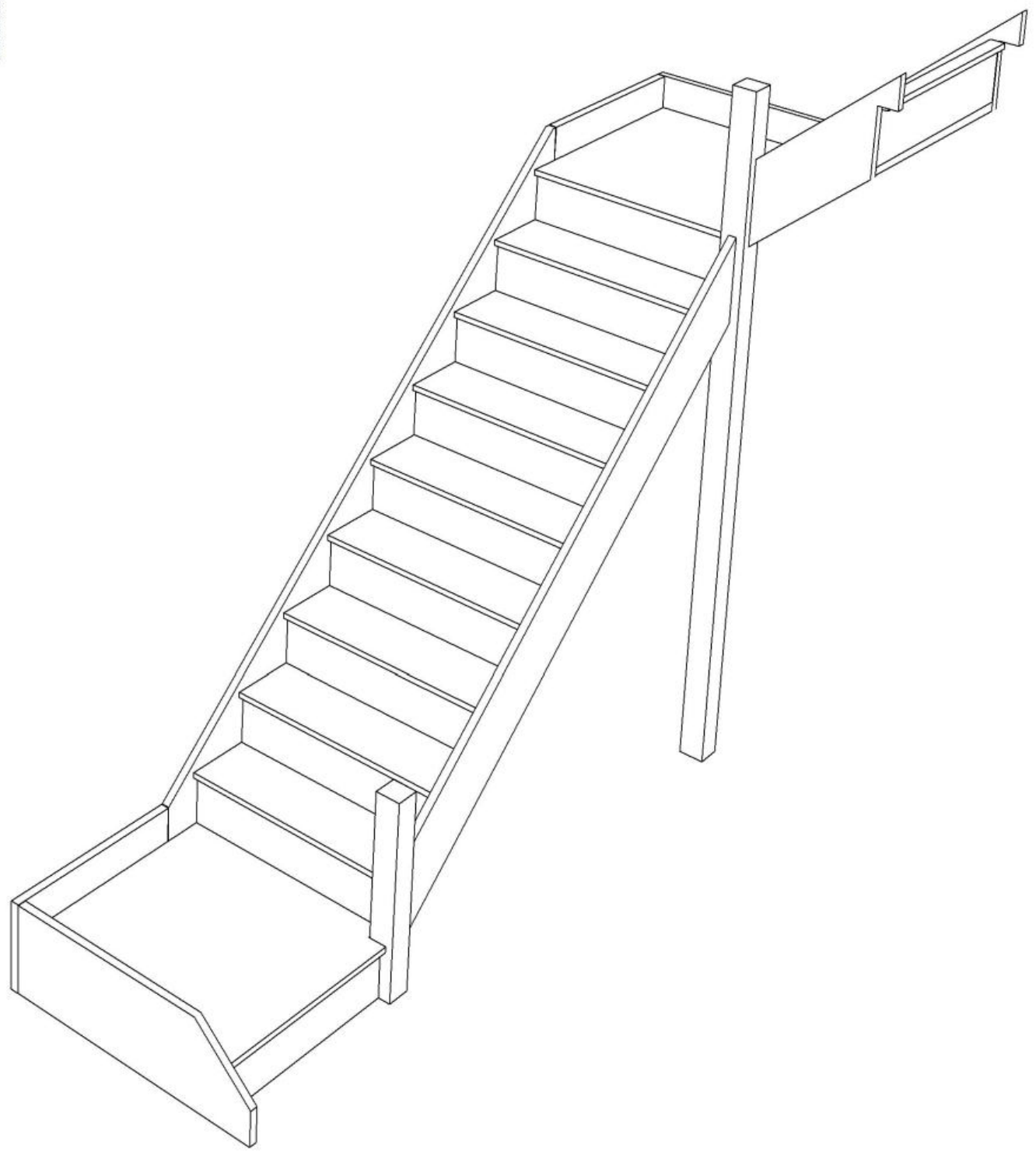
Floor to floor height

2600.000 mm



### Stair Layouts-D QL

### SQL8QL2N-RH



Stair:SQL8QL2N-RH



Floor to floor height

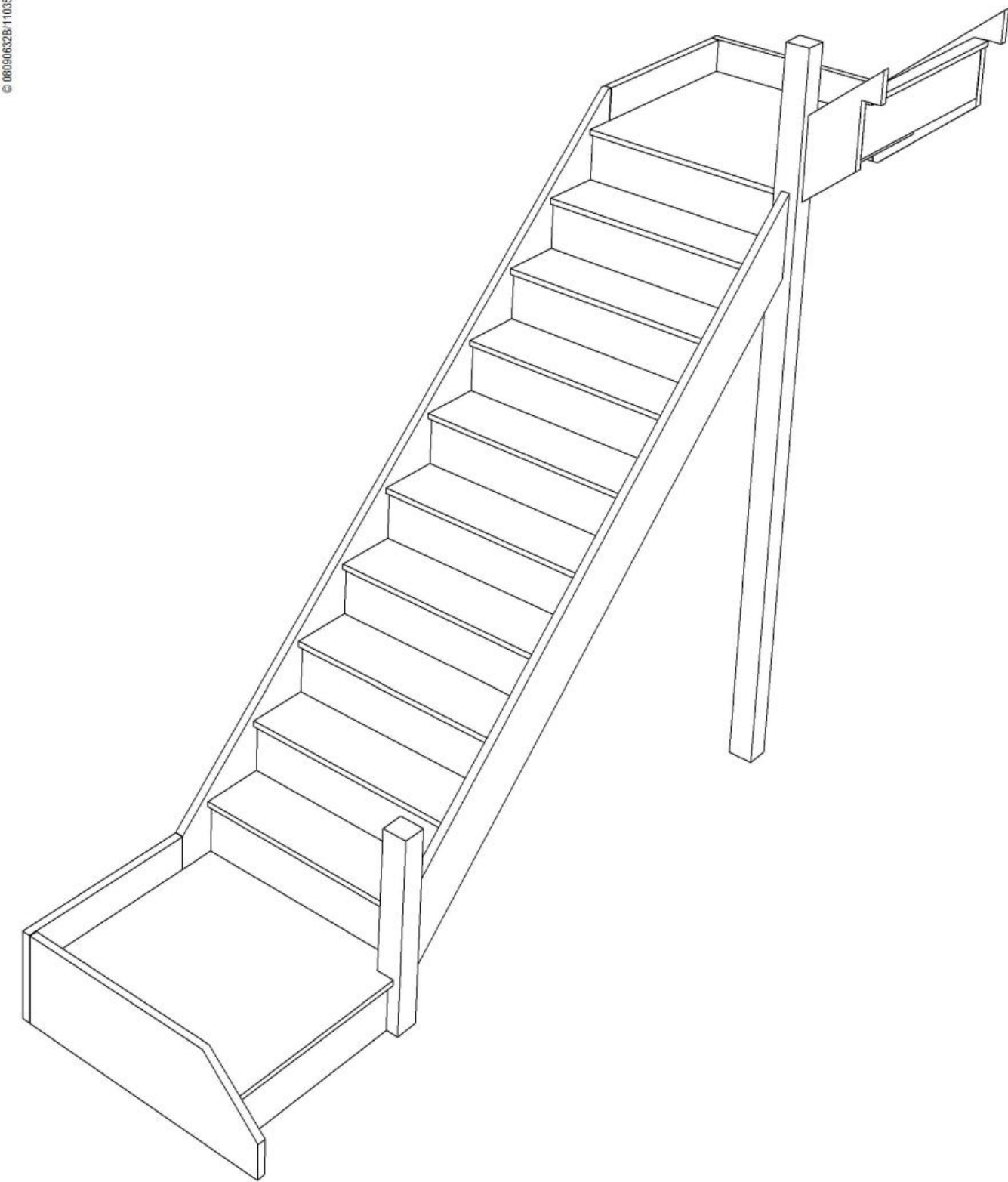
2600.000 mm





### Stair Layouts-D QL

### SQL9QL1N-RH



Stair:SQL9QL1N-RH



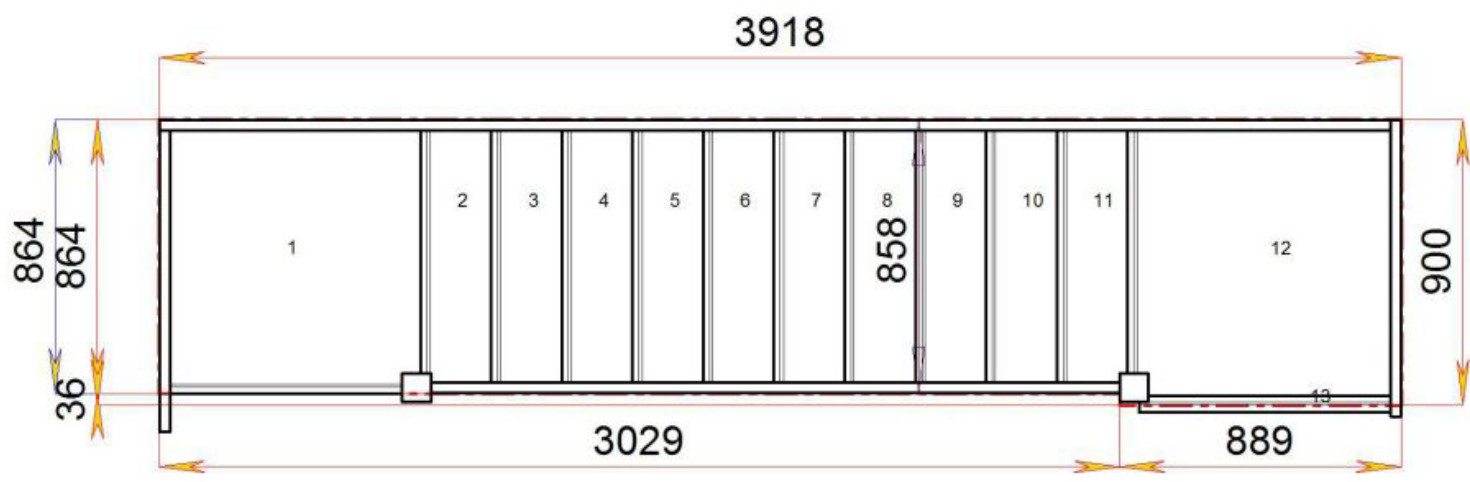
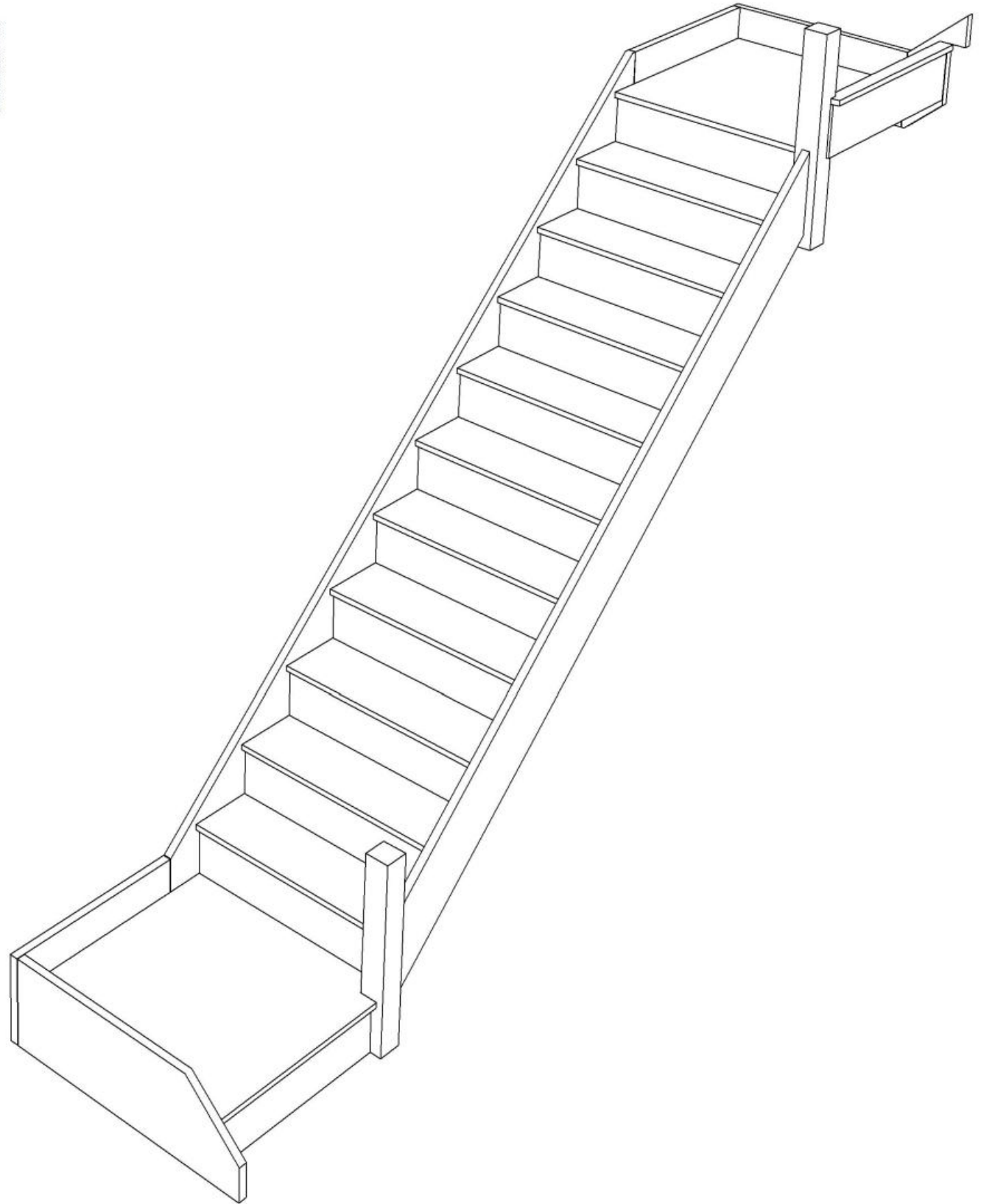
Floor to floor height

2600.000 mm



### Stair Layouts-D QL

### SQL10QLN-RH



Stair:SQL10QLN-RH



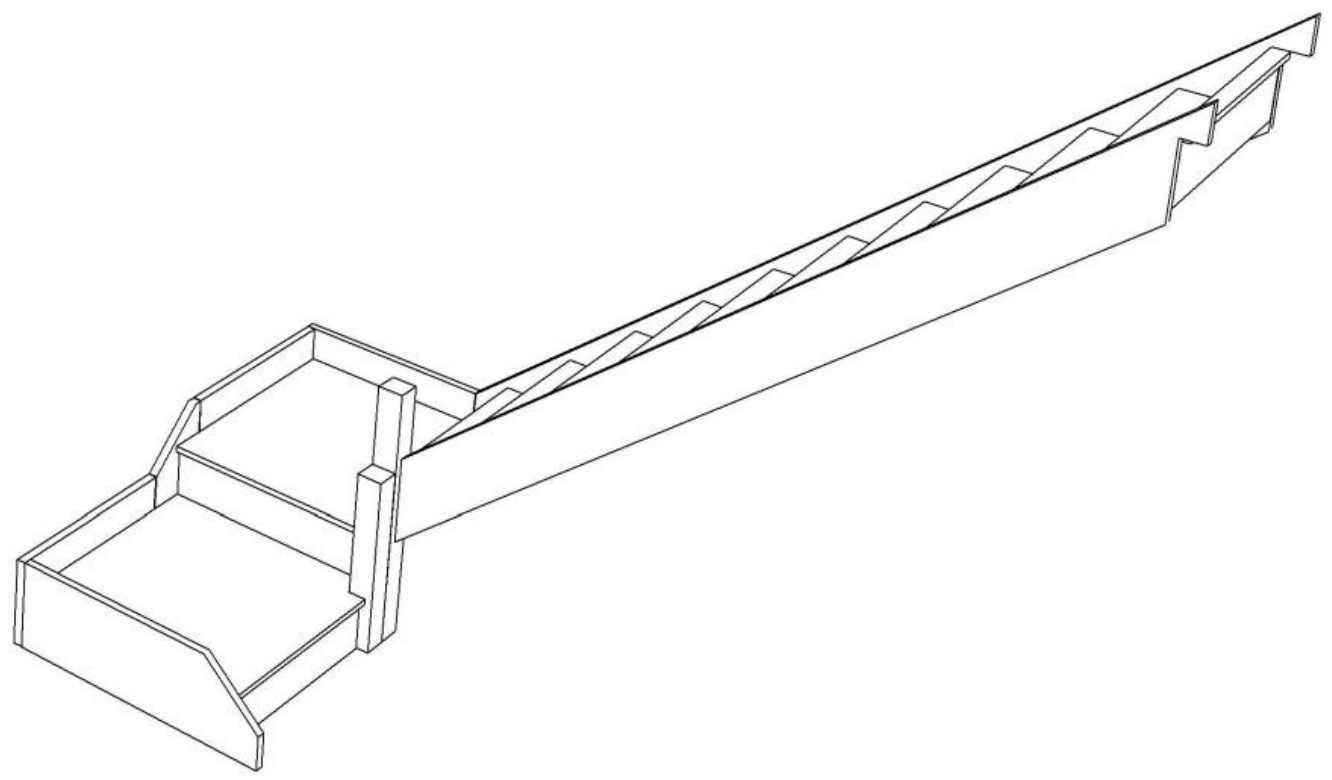
Floor to floor height

2600.000 mm

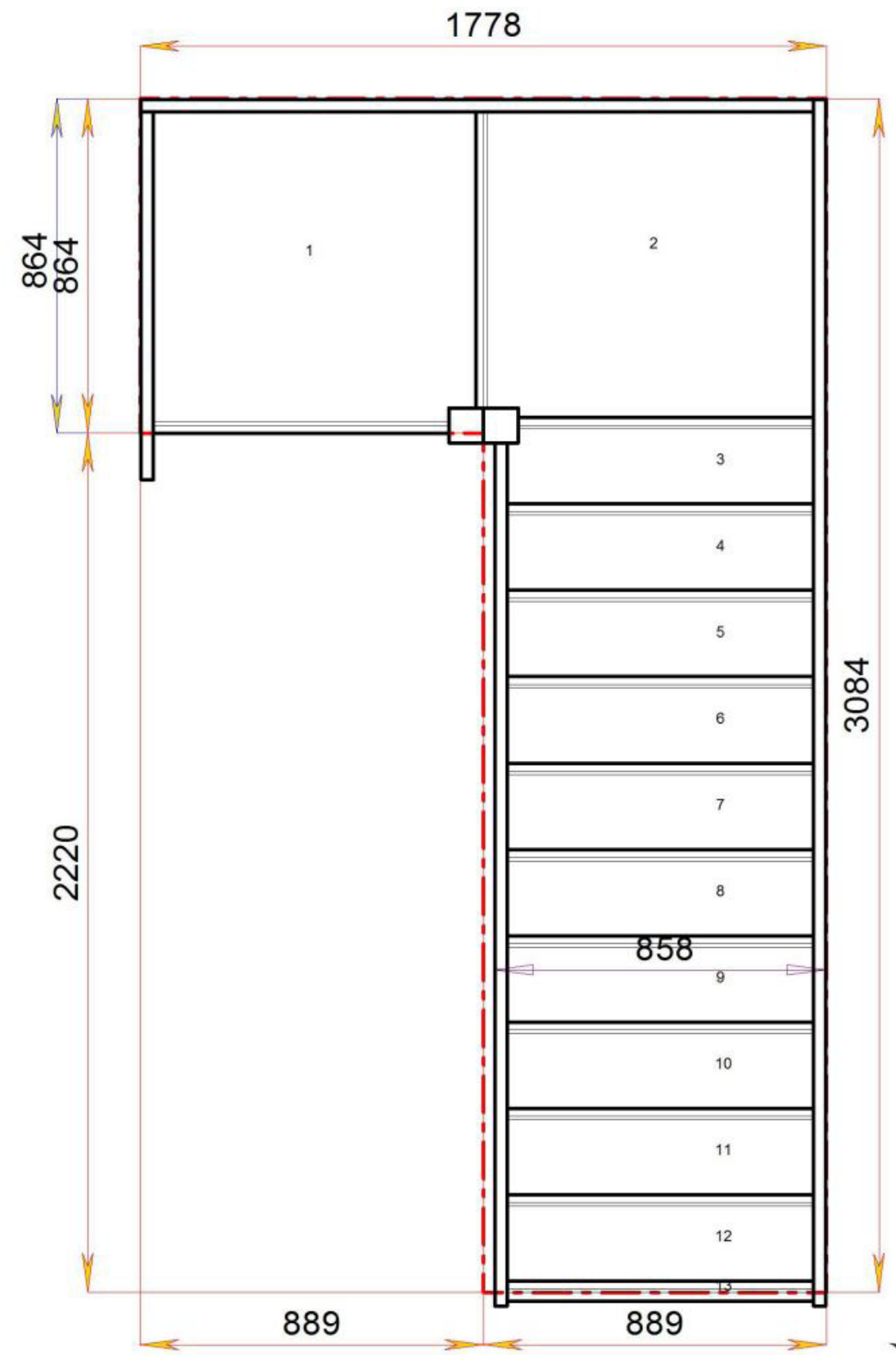


### Stair Layouts-D QL

### SQLQL10N-RH



Stair:SQLQL10N-RH



Floor to floor height

2600.000 mm

